

Roof Fan



Description

Order Number:	6085A9000
Brand Name:	SOLIFLEX
Colour:	RAL 7035
Housing Material:	Mild steel, powder coated
Ingress Protection:	IP 54, Type 1, 12
Approvals:	CE, cURus

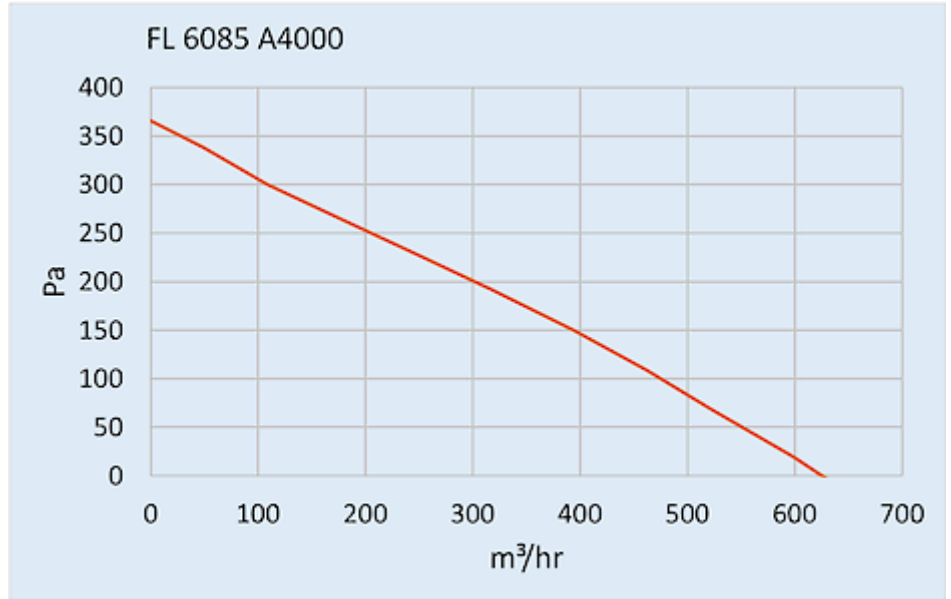
Technical Data

Operating Temperature Range:	-10°C - 55°C
Air flow unimpeded:	630 m³/h
Static pressure:	570 Pa
Mounting:	top mounted
Dimensions A x B x C (D+E):	147 x 457 x 457 mm
Weight:	7.8 kg
Cut out dimensions:	291 x 291 mm
Voltage / Frequency:	400/460 V - 50/60 Hz 3~
Rated current:	Max 0.22 A
Power consumption:	Max 145 W
Degree of separation:	85% - DIN 24185
Filter class:	G3 (Aluminium optional)
Noise level:	70 dB(A)
Connection:	4 pole connector

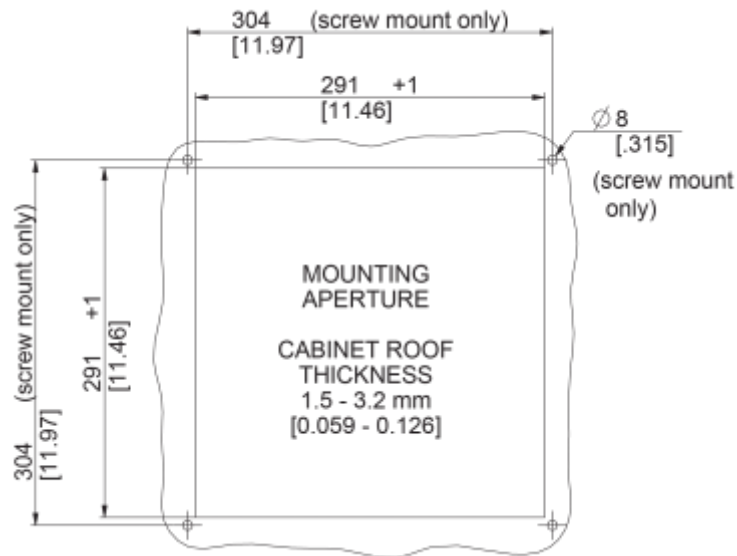
Please click on the graphics to download.

More CAD drawings can be found under [Product Download](#).

> [Overview Product Group SOLIFLEX - Filter fans & exhaust filters](#)

Performance graph:


click image to enlarge

Cut Out Dimension:


click image to enlarge

Order Information

Taric code	84145915
GTIN (EAN)	5350604100893