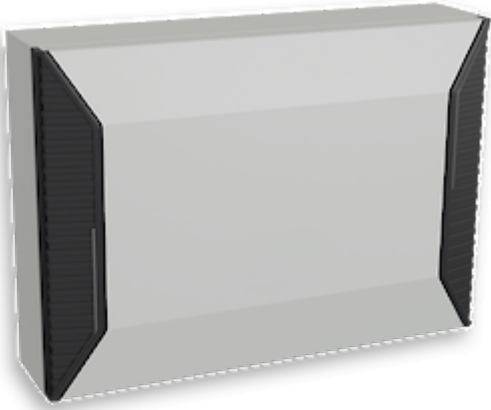


## Air / water heat exchanger



## Description

<b>Order Number:</b>	730640B001
<b>Brand Name:</b>	SLIMLINE HEX
<b>Colour:</b>	RAL 7035
<b>Housing Material:</b>	Mild steel, powder coated
<b>Ingress Protection:</b>	IP 55 / Type 12, 3, 3R, 4, 4X
<b>Approvals:</b>	CE, cURus, cULus

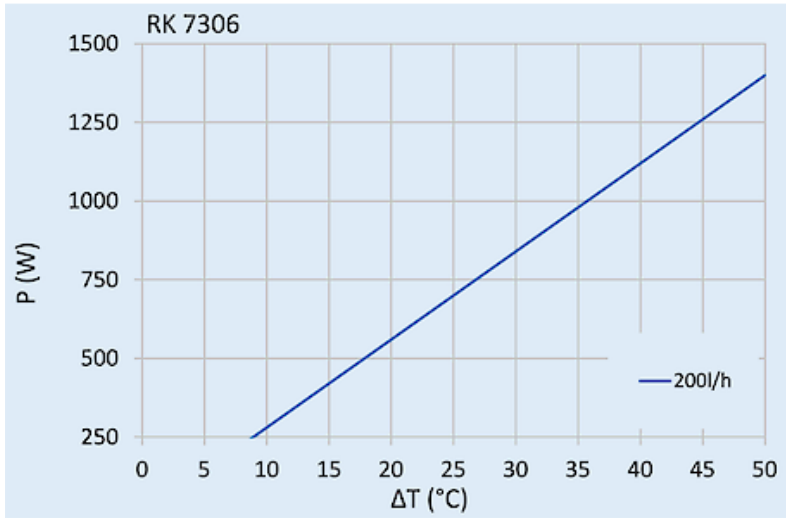
## Technical Data

<b>Cooling capacity L35W10 (200 l/h):</b>	700 W
<b>Coolant:</b>	Water, light oils or similar
<b>Operating Temperature Range:</b>	1°C - 60°C
<b>Air flow volume (system / unimpeded):</b>	110 / 220 m <sup>3</sup> /h
<b>Mounting:</b>	Wall mounted / recessed
<b>Dimensions A x B x C (D+E):</b>	370 x 520 x 131 (37+94) mm
<b>Weight:</b>	7.5 kg
<b>Voltage / Frequency:</b>	120-230 V ~ 50/60 Hz
<b>Starting current:</b>	1.0 / 1.4 A
<b>Max. current:</b>	0.25 / 0.35 A
<b>Max. power:</b>	15 W
<b>Pressure water circuit:</b>	10 bar
<b>Water connection:</b>	Rp 3/8" - inside thread (with optional connectors for pipe internal diameter of 10 mm)
<b>Fuse:</b>	1 A (T)
<b>Connection:</b>	5 - pole terminal for signals 4 - pole terminal for power

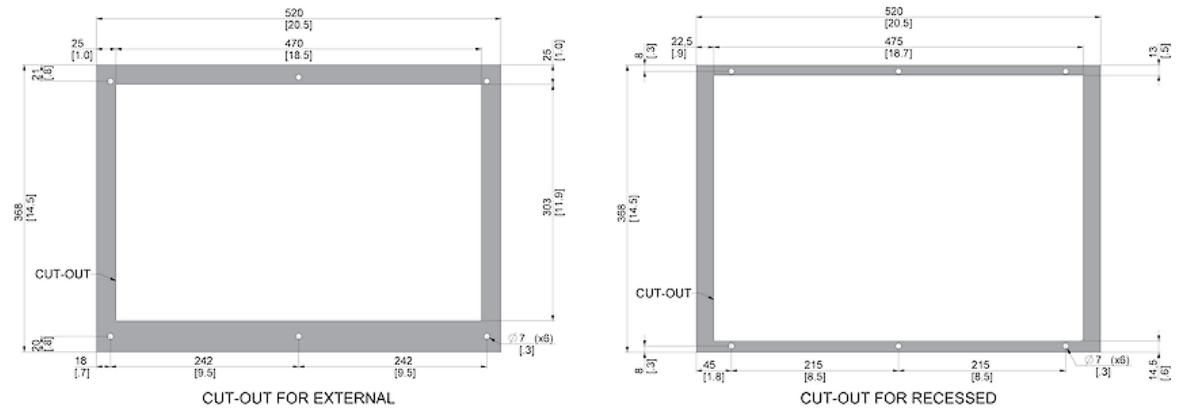
Please click on the graphics to download.

More CAD drawings can be found under [Product Download](#).

> [Overview Product Group SLIMLINE HEX - air/water heat exchangers](#)

**Performance graph:**


[click image to enlarge](#)

**Cut Out Dimension:**


[click image to enlarge](#)

## Order Information

<b>Stainless steel AISI 304 (V2A) housing order no.</b>	730640B62
<b>Box dimensions</b>	460 x 620x x 182 mm
<b>Gross weight</b>	9.5 kg
<b>Taric Code</b>	84158300