

Air / water heat exchanger



Description

Order Number:	730641B001
Brand Name:	SLIMLINE HEX
Colour:	RAL 7035
Housing Material:	Mild steel, powder coated
Ingress Protection:	IP 55 / Type 12, 3, 3R, 4, 4X
Included:	Digital controller / solenoid valve
Approvals:	CE, cURus, cULus

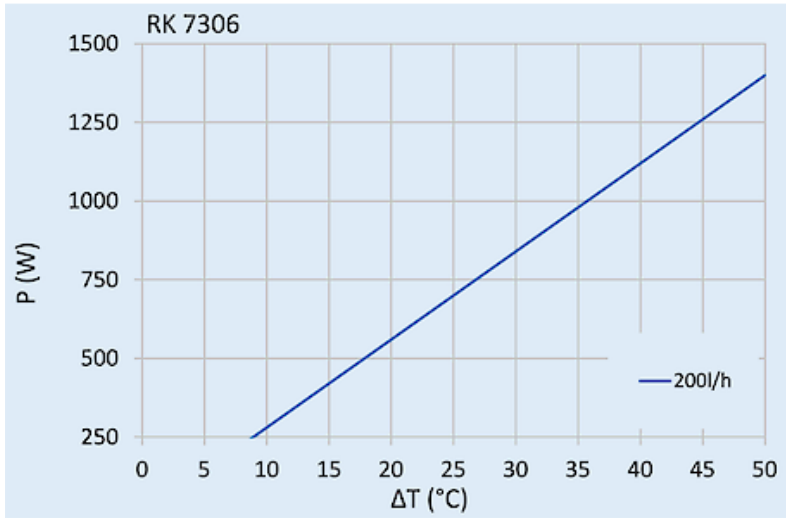
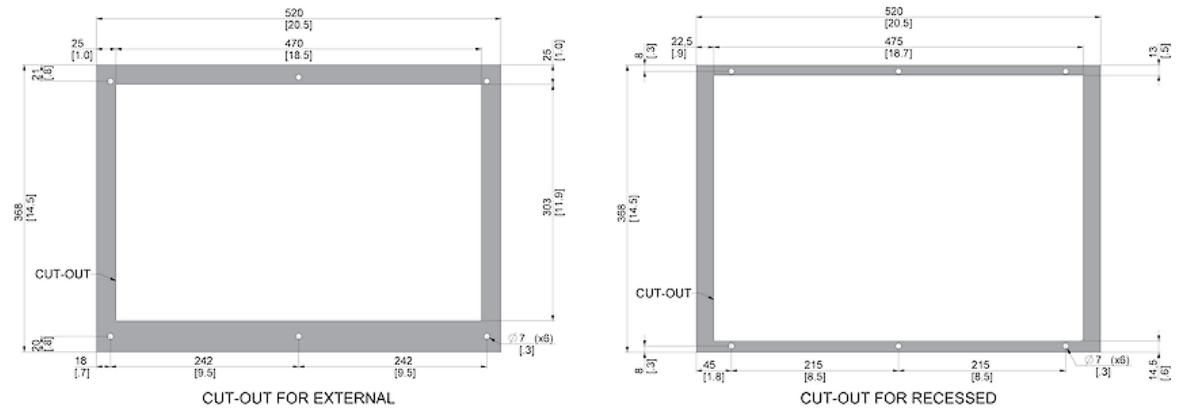
Technical Data

Cooling capacity L35W10 (200 l/h):	700 W
Coolant:	Water, light oils or similar
Operating Temperature Range:	1°C - 60°C
Air flow volume (system / unimpeded):	110 / 220 m³/h
Mounting:	Wall mounted / recessed
Dimensions A x B x C (D+E):	370 x 520 x 131 (37+94) mm
Weight:	8.5 kg
Voltage / Frequency:	230 V ~ 50/60 Hz
Starting current:	1.4 A
Max. current:	0.35 A
Max. power:	30 W
Pressure water circuit:	10 bar
Water connection:	Rp 3/8" - inside thread (with optional connectors for pipe internal diameter of 10 mm)
Fuse:	1 A (T)
Connection:	5 - pole terminal for signals 4 - pole terminal for power

Please click on the graphics to download.

More CAD drawings can be found under [Product Download](#).

> [Overview Product Group SLIMLINE HEX - air/water heat exchangers](#)

Performance graph:

[click image to enlarge](#)
Cut Out Dimension:

[click image to enlarge](#)

Order Information

Stainless steel AISI 304 (V2A) housing order no.	730641B62
Box dimensions	460 x 620x x 182 mm
Gross weight	9.5 kg
Taric Code	84158300