

Exhaust filter



Description

Order Number:	400000000
Colour:	RAL 7035
Housing Material:	ABS Plastic
IP protection class to EN 60 529:	IP 54
Optional:	Different housing colours available on request
Approvals:	CE, cULus, CSA

Accessories:



[Hose-proof protection hood FC 4000 000](#)



[Hose-proof protection hood FC 4000 000 FDA](#)

Technical Data

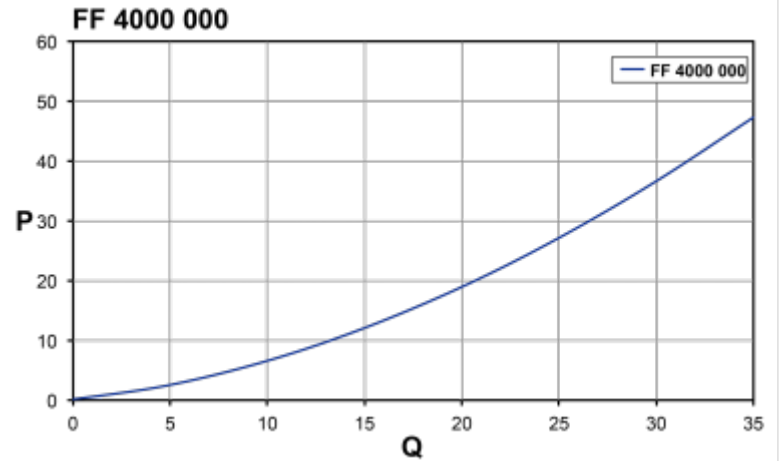
Operating Temperature Range:	-10°C - 55°C
Dimensions A x B x C (D+E):	106.5 x 106.5 x 23.2 mm
Weight:	0.07 kg
Cut out dimensions:	92.5 x 92.5 mm (+1.5)
Degree of separation IP 54:	85% - DIN 24185
Wall thickness:	1 - 2 mm
Filter class (ISO 16890):	G3 according to EN 779
Installation:	Elastic clips or by 4 self-threading screws

Please click on the graphics to download.

More CAD drawings can be found under [Product Download](#).

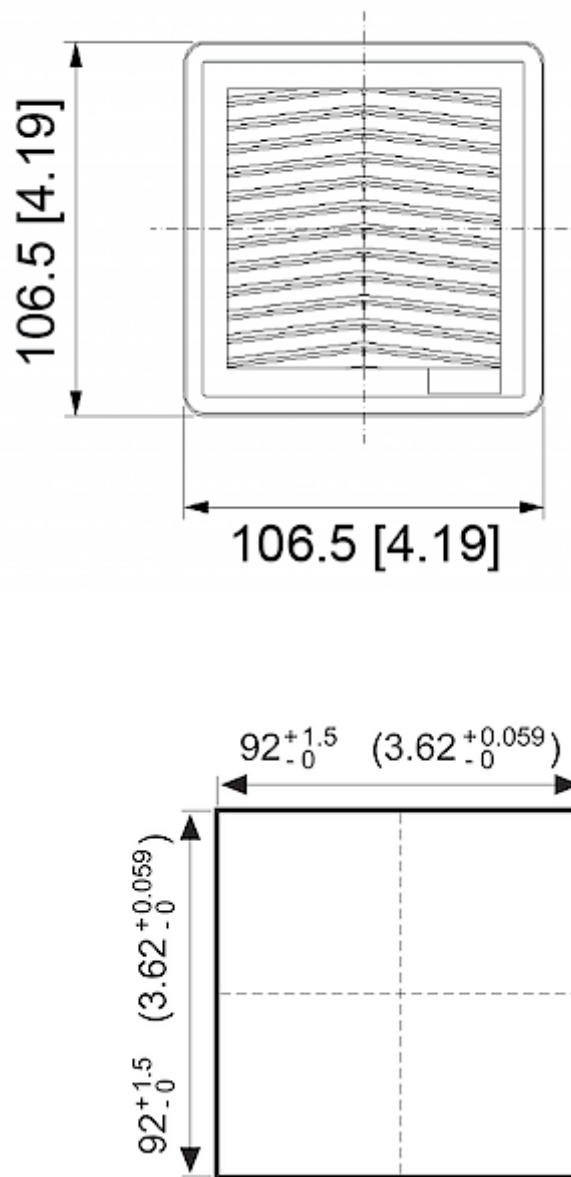
> [Overview Product Group SOLIVENT PRO - Filter fans & exhaust filters](#)

Air flow:



click image to enlarge

Cut out Dimensions:



click image to enlarge

Order Information

With NEMA 3R protection part no.	400000030
Taric code	84145915
GTIN (EAN)	5350604100008