

Roof mounted filter fan



Description

| | |
|----------------------------|--|
| Order Number: | 6064A3000 |
| Brand Name: | SOLIFLEX |
| Colour: | RAL 7035 |
| Housing Material: | Mild steel, powder coated |
| Ingress Protection: | IP 54, Type 1, 12 |
| Optional: | Aluminium filter kit Temperature control thermostat Alarm thermostat |
| Approvals: | CE, cURus |

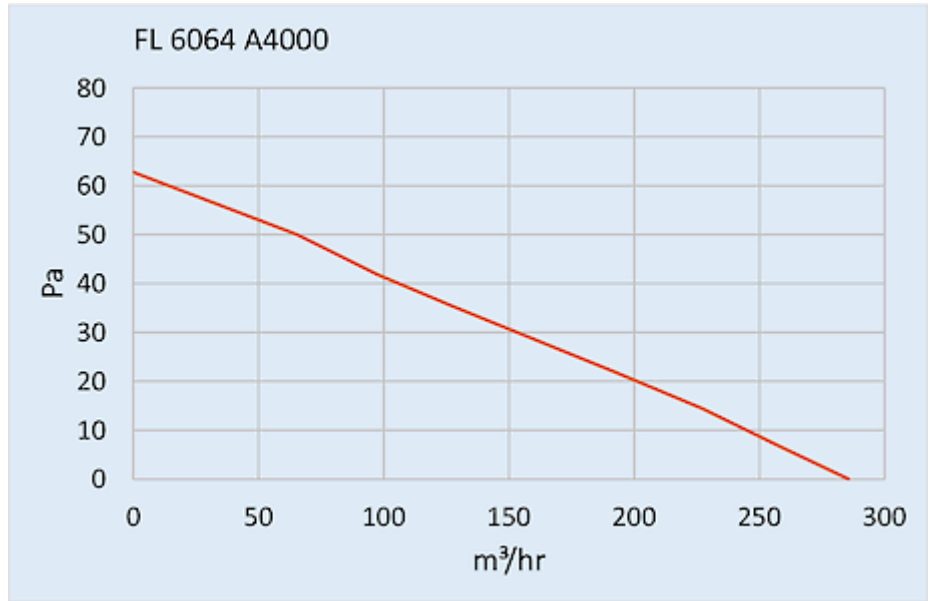
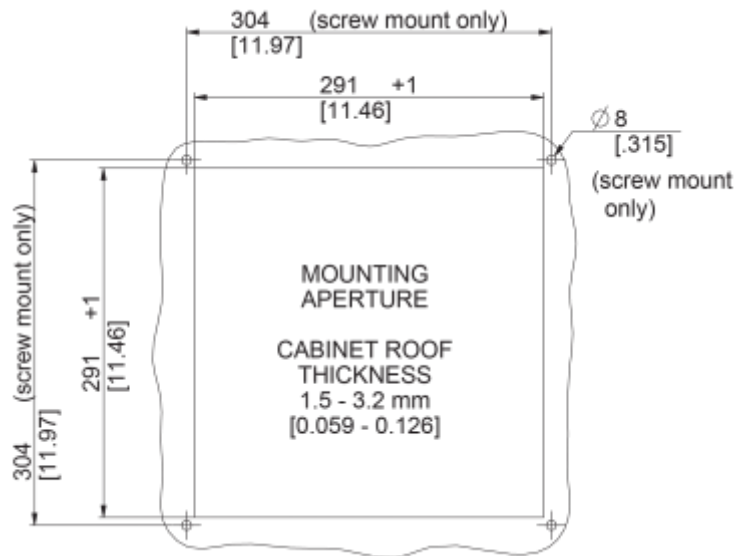
Technical Data

| | |
|--|-------------------------|
| Operating Temperature Range: | -10°C - 55°C |
| Air flow volume (system / unimpeded): | 285 m³/hr |
| Air flow unimpeded: | 275 m³/h |
| Static pressure: | 63 Pa |
| Mounting: | top mounted |
| Dimensions A x B x C (D+E): | 147 x 457 x 457 mm |
| Weight: | 7 kg |
| Cut out dimensions: | 291 x 291 mm |
| Voltage / Frequency: | 120 V ~ 60 Hz |
| Rated current: | 0.5 A |
| Power consumption: | 57 W |
| Degree of separation: | 85% - DIN 24185 |
| Filter class: | G3 (Aluminium optional) |
| Noise level: | 51 dB(A) |
| Connection: | 4 pole connector |

Please click on the graphics to download.

More CAD drawings can be found under [Product Download](#).

> [Overview Product Group SOLIFLEX - Filter fans & exhaust filters](#)

Performance graph:

[click image to enlarge](#)
Cut Out Dimension:

[click image to enlarge](#)

Order Information

| | |
|-------------------|---------------|
| Taric code | 84145915 |
| GTIN (EAN) | 5350604100893 |