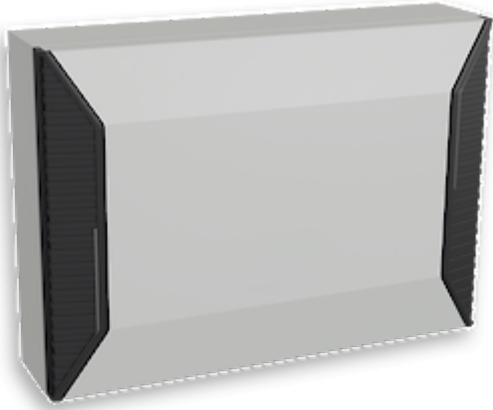


Air / Water Heat Exchanger



Description

Order Number:	730620B001
Brand Name:	SLIMLINE HEX
Colour:	RAL 7035
Housing Material:	Mild steel, powder coated
Ingress Protection:	IP 55 / Type 12, 3, 3R, 4, 4X
Approvals:	CE, cURus, cULus

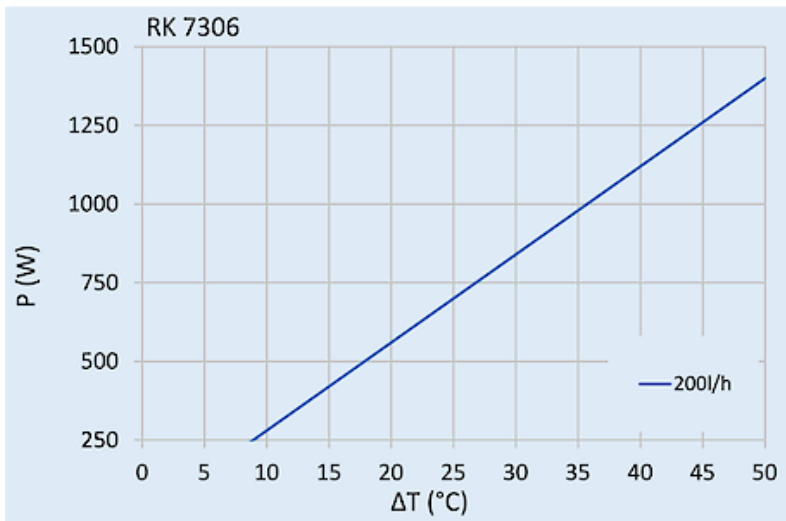
Technical Data

Cooling capacity L35W10 (200 l/h):	700 W
Coolant:	Water, light oils or similar
Operating Temperature Range:	1°C - 60°C
Air flow volume (system / unimpeded):	110 / 220 m³/h
Mounting:	Wall mounted / recessed
Dimensions A x B x C (D+E):	370 x 520 x 131 (37+94) mm
Weight:	8.5 kg
Voltage / Frequency:	380/415 V 50Hz 2~ 400/460 V 60Hz 2~
Starting current:	0.8 A
Max. current:	0.2 A
Max. power:	20 W
Pressure water circuit:	10 bar
Water connection:	Rp 3/8" - inside thread (with optional connectors for pipe internal diameter of 10 mm)
Fuse:	1 A (T)
Connection:	5 - pole terminal for signals 4 - pole terminal for power

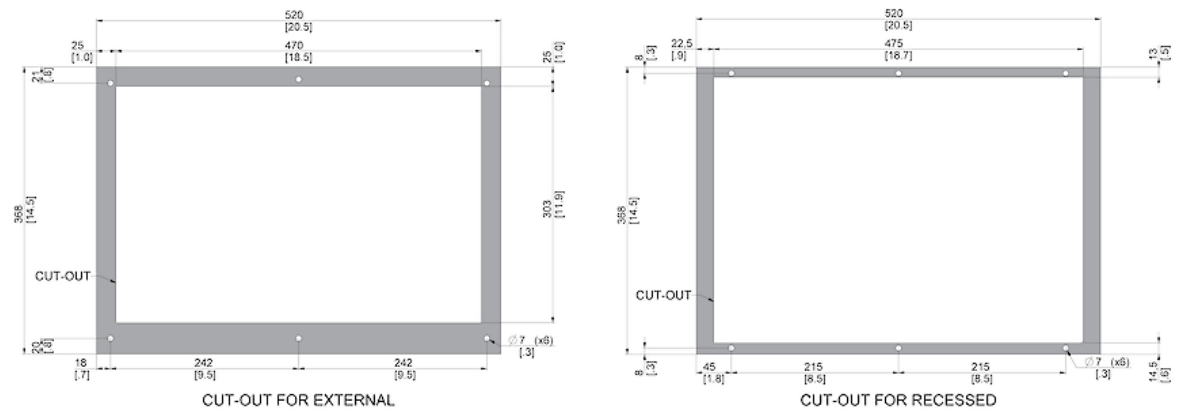
Please click on the graphics to download.

More CAD drawings can be found under [Product Download](#).

> [Overview Product Group SLIMLINE HEX - air/water heat exchangers](#)

Performance graph:


[click image to enlarge](#)

Cut Out Dimension:


[click image to enlarge](#)

Order Information

Stainless steel AISI 304 (V2A) housing order no.	730620B62
Box dimensions	460 x 620x x 182 mm
Gross weight	9.5 kg
Taric Code	84158300