

Thermoelectric dehumidifier



Description

Order Number:	3039303
Brand Name:	SOLIFLEX
Colour:	Black
Housing Material:	PC UL94V-0
Note:	Use a class 2 power unit (UL)
Approvals:	CE, cURus
Accessories:	<div style="display: flex; align-items: center; gap: 20px;"> <div style="text-align: center;">  </div> <div style="text-align: left;"> <p>Mounting frame</p> </div> </div> <div style="display: flex; align-items: center; gap: 20px; margin-top: 10px;"> <div style="text-align: center;">  </div> <div style="text-align: left;"> <p>Condensate drain socket</p> </div> </div>

Technical Data

Condensation rate 30°C / 80%rH.: 25 ml/hr

Operating Temperature Range: 0°C - 65°C

Mounting: Recessed, DIN rail, enclosure floor
Optional wall mounting with mounting frame 1019305

Dimensions A x B x C (D+E): 176 x 136 x (72+61) mm

Weight: 1.8 kg

Cut out dimensions: 152 x 117.5 mm

Voltage / Frequency: 24 V DC

Rated current: 2.1 A

Starting current: 3.1 A

Max. current: 2.4 A

Power consumption: 50 W

Max. power: 58 W

Fuse: 4 A (T)

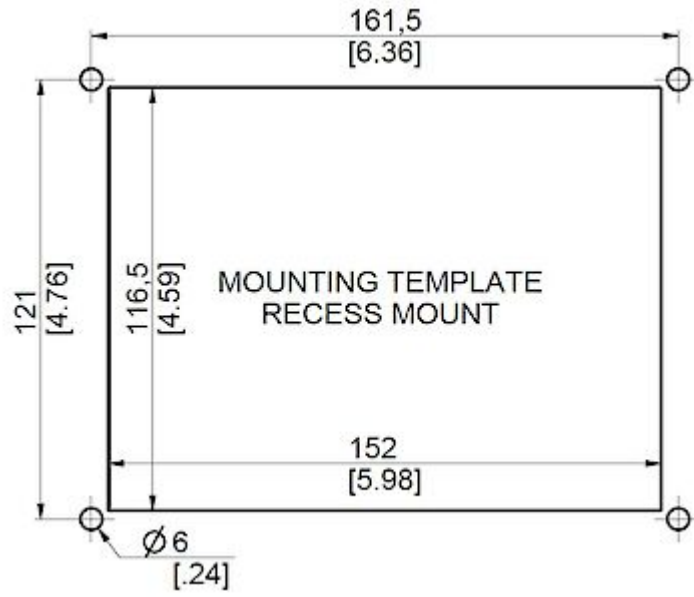
Connection: Connection terminal block

Please click on the graphics to download.

More CAD drawings can be found under [Product Download](#).

> [Overview Product Group SOLIFLEX - accessories for safety inside enclosures](#)

Cut Out Dimension:



[click image to enlarge](#)

Order Information

With condensate pump order no.

3039309
