

## Mounting frame for dehumidifier TG 3039



### Description

<b>Order Number:</b>	1019305
<b>Brand Name:</b>	SOLIFLEX
<b>Colour:</b>	Black
<b>Housing Material:</b>	PC UL94V-0
<b>Note:</b>	Mounting frame for thermoelectric dehumidifier 3039303
<b>Approvals:</b>	CE, cURus

## Technical Data

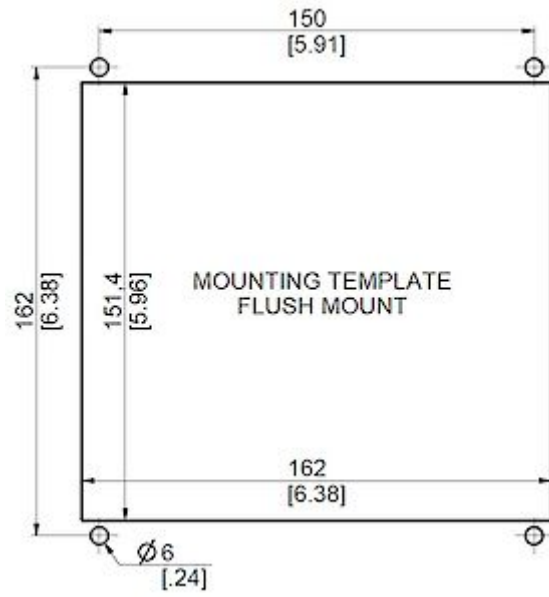
<b>Condensation rate 30°C / 80%rH.:</b>	25 ml/hr
<b>Operating Temperature Range:</b>	0°C - 65°C
<b>Mounting:</b>	Wall mounted
<b>Voltage / Frequency:</b>	24 V DC
<b>Connection:</b>	Connection terminal block

Please click on the graphics to download.

More CAD drawings can be found under [Product Download](#).

> [Overview Product Group SOLIFLEX - accessories for safety inside enclosures](#)

**Cut Out Dimension:**



[click image to enlarge](#)