

## Thermoelectric dehumidifier with condensate pump



### Description

<b>Order Number:</b>	3039309
<b>Brand Name:</b>	SOLIFLEX
<b>Colour:</b>	Black
<b>Housing Material:</b>	PC UL94V-0
<b>Note:</b>	With integrated condensate pump Use a class 2 power unit (UL)
<b>Approvals:</b>	CE, cURus
<b>Accessories:</b>	



Condensate drain socket

## Technical Data

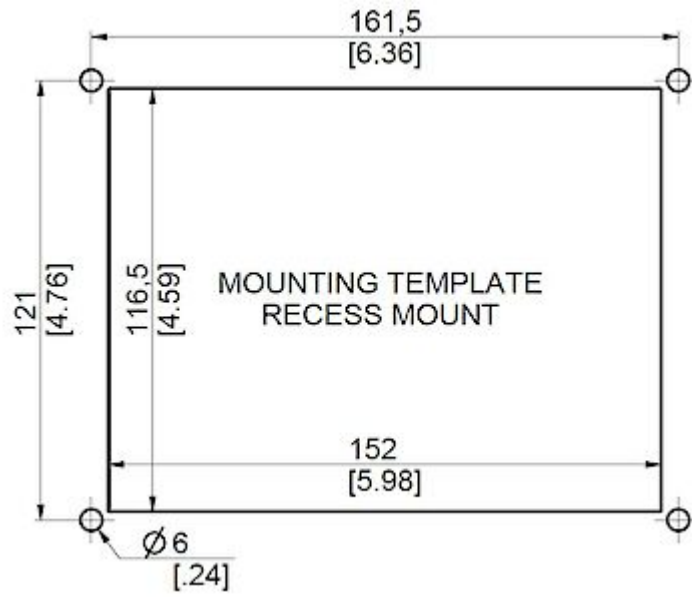
<b>Condensation rate 30°C / 80%rH.:</b>	25 ml/hr
<b>Operating Temperature Range:</b>	0°C - 65°C
<b>Mounting:</b>	Recessed
<b>Dimensions A x B x C (D+E):</b>	176 x 136 x 148 mm
<b>Weight:</b>	2 kg
<b>Cut out dimensions:</b>	152 x 117.5 mm
<b>Voltage / Frequency:</b>	24 V DC
<b>Rated current:</b>	2.1 A
<b>Starting current:</b>	3.1 A
<b>Max. current:</b>	2.4 A
<b>Power consumption:</b>	50 W
<b>Max. power:</b>	58 W
<b>Fuse:</b>	4 A (T)
<b>Connection:</b>	Connection terminal block

Please click on the graphics to download.

More CAD drawings can be found under [Product Download](#).

> [Overview Product Group SOLIFLEX - thermostats and hygostats for enclosures](#)

**Cut out Dimensions:**



[click image to enlarge](#)