

Pre-set thermostat NO



Description

Order Number:	301040
Brand Name:	SOLIFLEX
Colour:	Grey RAL 7011
Housing Material:	PC plastic
Ingress Protection:	IP 20
Note:	Hyst.10±2K / Sw.Pt.tol ±2
Approvals:	CE, cURus
UL File Number:	E358385

Technical Data

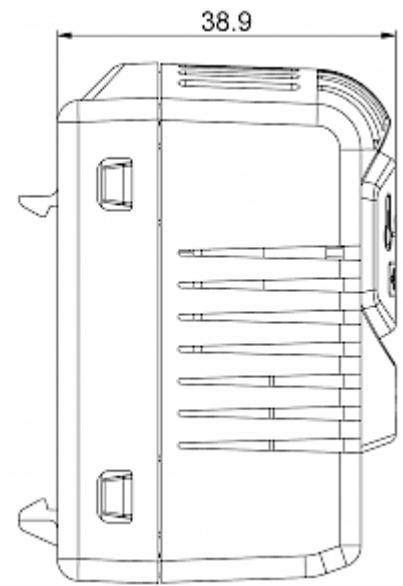
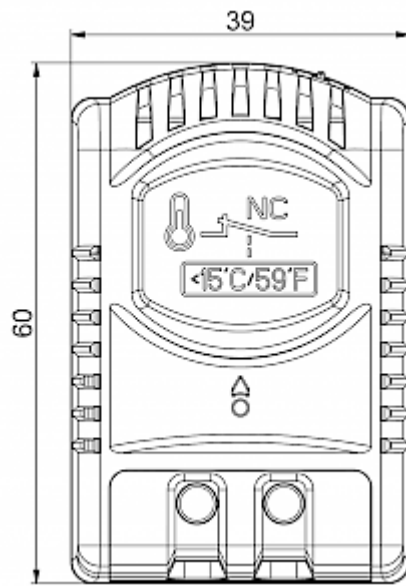
Operating Temperature Range:	-40°C - 80°C
Setting range:	ON 50°C/122°F - OFF 40°C/104°F
Mounting:	DIN Rail 35 mm
Dimensions A x B x C (D+E):	60 x 39 x 38.9 mm
Weight:	~ 50 g
Voltage / Frequency:	max. 250 V AC 16 A(res) / 10 A(ind) max. 72 V DC max. 30 W
Lifetime:	30k Cycles
Connection:	2-pole terminal, clamping torque 0.5 Nm max. solid wire - 2.5 mm ² max. stranded wire - 1.5 mm ² max.

Please click on the graphics to download.

More CAD drawings can be found under [Product Download](#).

> [Overview Product Group SOLIFLEX - accessories for safety inside enclosures](#)

Cut Out Dimension:



[click image to enlarge](#)

Order Information

Taric code	90321089
GTIN (EAN)	5350604010086