

Thermostat NC



Description

| | |
|----------------------------|----------------------------|
| Order Number: | 301110 |
| Brand Name: | SOLIFLEX |
| Colour: | Grey (RAL 7011) |
| Housing Material: | PC plastic |
| Ingress Protection: | IP 20 |
| Note: | Hyst. 7±3K / Sw.Pt.tol ±4K |
| Approvals: | CE, cURus |
| UL File Number: | E358385 |

Technical Data

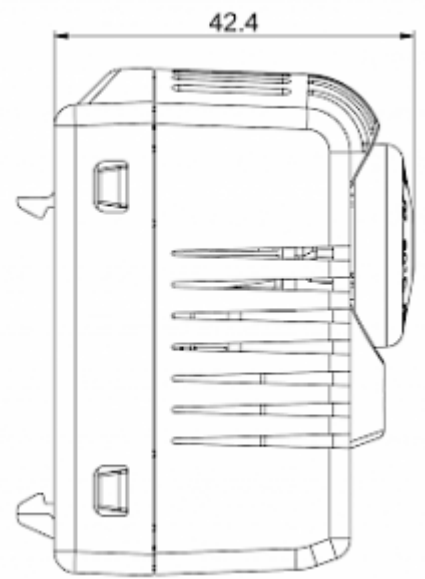
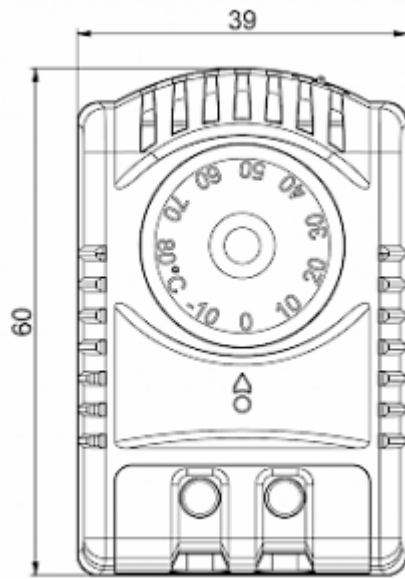
| | |
|-------------------------------------|---|
| Operating Temperature Range: | -40°C - 80°C |
| Setting range: | -10°C - 80°C |
| Mounting: | DIN Rail 35 mm |
| Dimensions A x B x C (D+E): | 60 x 39 x 42.4 mm |
| Weight: | ~ 65 g |
| Voltage / Frequency: | max. 250 V AC 16 A(res) / 2 A(ind) max. 72 V DC max. 30 W |
| Lifetime: | 100,000 hrs. |
| Connection: | 2-pole terminal, clamping torque 0.5 Nm max. solid wire - 2.5 mm ² max., stranded wire - 1.5 mm ² max. |

Please click on the graphics to download.

More CAD drawings can be found under [Product Download](#).

> [Overview Product Group SOLIFLEX - accessories for safety inside enclosures](#)

Cut Out Dimension:



[click image to enlarge](#)

Order Information

| | |
|-------------------|---------------|
| Taric code | 90321089 |
| GTIN (EAN) | 5350604010123 |