

Thermal f.b. thermostat



Description

Order Number:	301320
Brand Name:	SOLIFLEX
Colour:	Grey (RAL 7011)
Housing Material:	PC plastic
Ingress Protection:	IP 20
Note:	Hyst. 4-7K/1K / Sw.Pt.tol $\pm 3K$
Approvals:	CE, cURus
UL File Number:	E358385

Technical Data

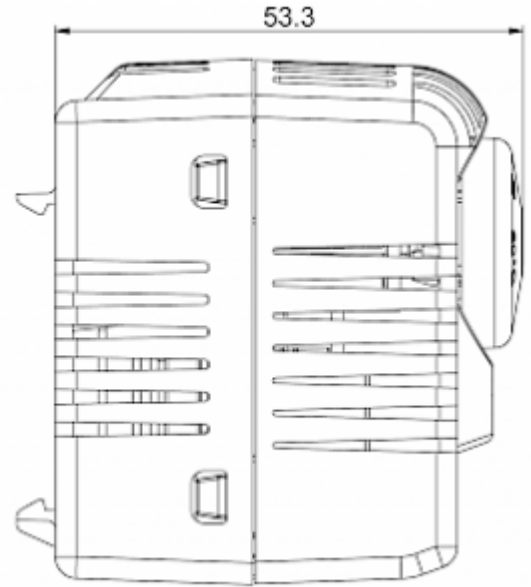
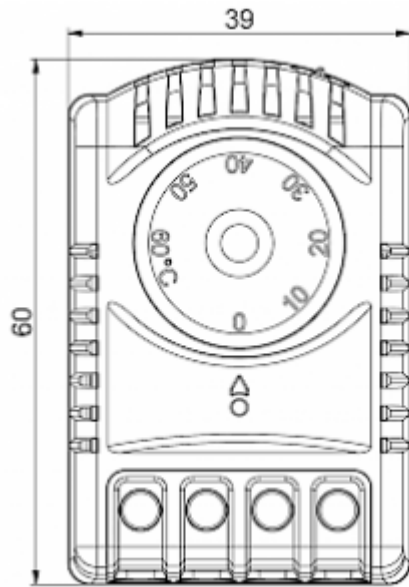
Operating Temperature Range:	0°C - 60°C
Setting range:	0°C - 60°C
Mounting:	DIN Rail 35 mm
Dimensions A x B x C (D+E):	60 x 39 x 53.3 mm
Weight:	64 g
Voltage / Frequency:	AC:250V/10A(res)/2A(ind) DC:72V/30W UL: max.250 VAC NC/NO: 10/5 A (res)
Lifetime:	100,000 hrs.
Connection:	4-pole terminal, clamping torque 0.5 Nm max. solid wire - 2.5 mm ² max., stranded wire - 1.5 mm ² max.

Please click on the graphics to download.

More CAD drawings can be found under [Product Download](#).

> [Overview Product Group SOLIFLEX - accessories for safety inside enclosures](#)

**Cut Out
Dimension:**



[click image to enlarge](#)

Order Information

Taric code	90321089
GTIN (EAN)	5350604010383