

Electronic thermostat



Description

Order Number:	301510
Colour:	Grey (RAL 7011)
Housing Material:	PC plastic
Ingress Protection:	IP 20
Note:	Hyst. 3K / Sw. Pt. tol 3K
Approvals:	CE, cURus
UL File Number:	E358385

Technical Data

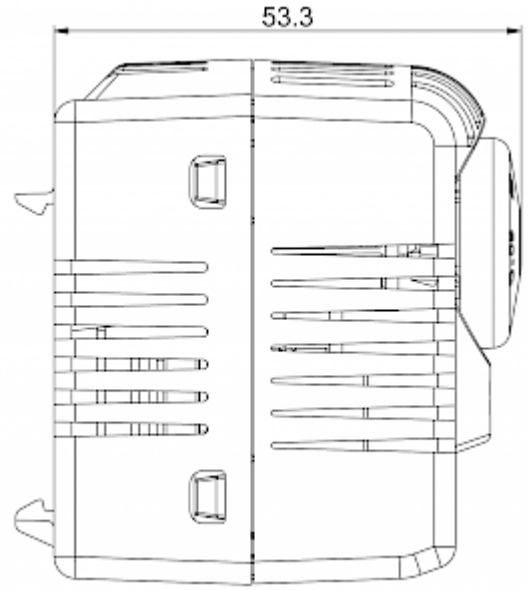
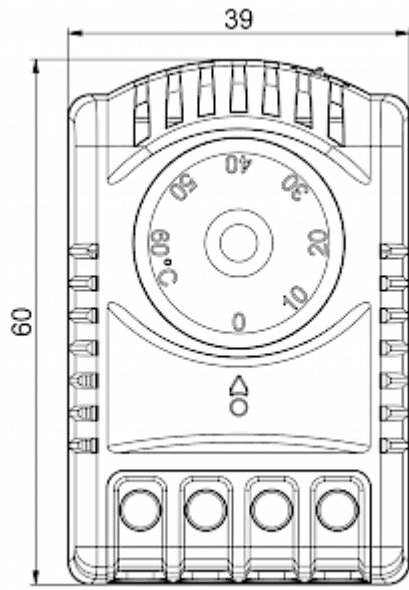
Operating Temperature Range:	-25°C - 70°C / 95% int. sensor -25°C - 80°C / 95% ext. sensor
Setting range:	0°C - 60°C
Mounting:	DIN Rail 35 mm
Dimensions A x B x C (D+E):	60 x 39 x 53.3 mm
Weight:	56 g
Voltage / Frequency:	24 V DC / 16 A
Lifetime:	100,000 hrs.

Please click on the graphics to download.

More CAD drawings can be found under [Product Download](#).

> [Overview Product Group SOLIFLEX - accessories for safety inside enclosures](#)

**Cut Out
Dimension:**



[click image to enlarge](#)

Order Information

Taric code	90321089
GTIN (EAN)	5350604010499