


## LED enclosure light



## Description

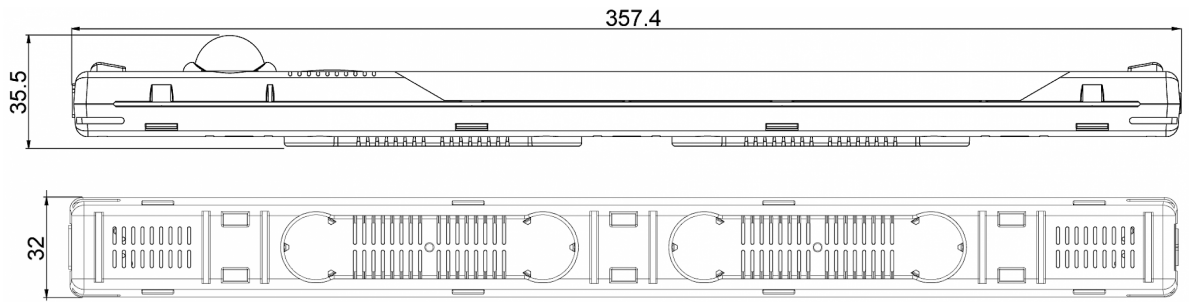
<b>Order Number:</b>	400400
<b>Brand Name:</b>	stripLite
<b>Colour:</b>	Top cover transparent / body blue
<b>Housing Material:</b>	PC plastic
<b>Ingress Protection:</b>	IP 20
<b>Included:</b>	Built-in motion sensor, switch off time 5 min. mounting accessories
<b>Note:</b>	class II Energy class G
<b>Approvals:</b>	CE, cURus
<b>Accessories:</b>	 <span style="color: blue;">DIN rail clip</span>

## Technical Data

<b>Operating Temperature Range:</b>	-30°C - 70°C UL max temp: 60°C
<b>Mounting:</b>	Magnets / Clips
<b>Dimensions A x B x C (D+E):</b>	357.4 x 32 x 35.5 mm
<b>Weight:</b>	140 gr.
<b>Voltage / Frequency:</b>	24-265 V DC/AC ~ 0/50/60 Hz
<b>Power consumption:</b>	4 Watt
<b>Lamp:</b>	LED, 7400K
<b>Luminosity:</b>	400 Lm
<b>Lifetime:</b>	50.000 hrs. @ 20°C
<b>Connection:</b>	srew less push in connector

Please click on the graphics to download.  
More CAD drawings can be found under [Product Download](#).  
> [Overview Product Group STRIPLITE - LED Enclosure Lights](#)

**Cut Out  
Dimension:**



[click image to enlarge](#)

## Order Information

**Taric code**

94054231

---