





## Filter Fan



## Description

<b>Order Number:</b>	4883A9003
<b>Brand Name:</b>	SOLIFLEX
<b>Colour:</b>	RAL 9005
<b>Housing Material:</b>	ABS Plastic
<b>Ingress Protection:</b>	IP 54, Type 12
<b>Approvals:</b>	CE, cURus, cULus
<b>UL File Number:</b>	E498756

### Accessories:

	<a href="#">Hose-proof protection hood FC 4000 400</a>
	<a href="#">Hose-proof protection hood FC 4000 400 FDA</a>
	<a href="#">Adjustable Thermostat NO</a>
	<a href="#">Filter media</a>

## Technical Data

<b>Operating Temperature Range:</b>	-10°C - +70°C
<b>Air flow unimpeded:</b>	820 m <sup>3</sup> /h - 930 m <sup>3</sup> /h
<b>Dimensions A x B x C (D+E):</b>	325 x 325 x 158.5 mm
<b>Weight:</b>	4.25 kg
<b>Cut out dimensions:</b>	291 x 291 (+1.5) mm
<b>Voltage / Frequency:</b>	400/460 V ~ 50/60 Hz
<b>Rated current:</b>	0.20 A / 0.24 A
<b>Power consumption:</b>	110 / 145 W
<b>Wall thickness:</b>	1.5 - 2.5 mm
<b>Filter class:</b>	G3 gemäß EN 779
<b>Installation:</b>	Elastic clips or by 4 self-threading screws
<b>Noise level:</b>	66 dB(A) @ 50 Hz 69.2 dB(A) @ 60 Hz

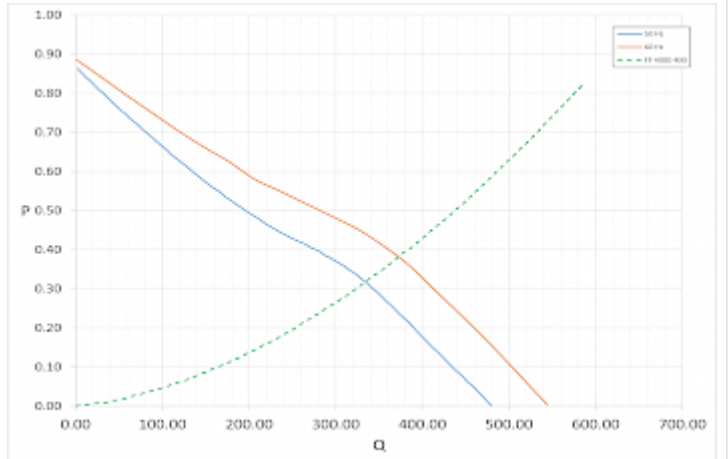
Please click on the graphics to download.

More CAD drawings can be found under [Product Download](#).

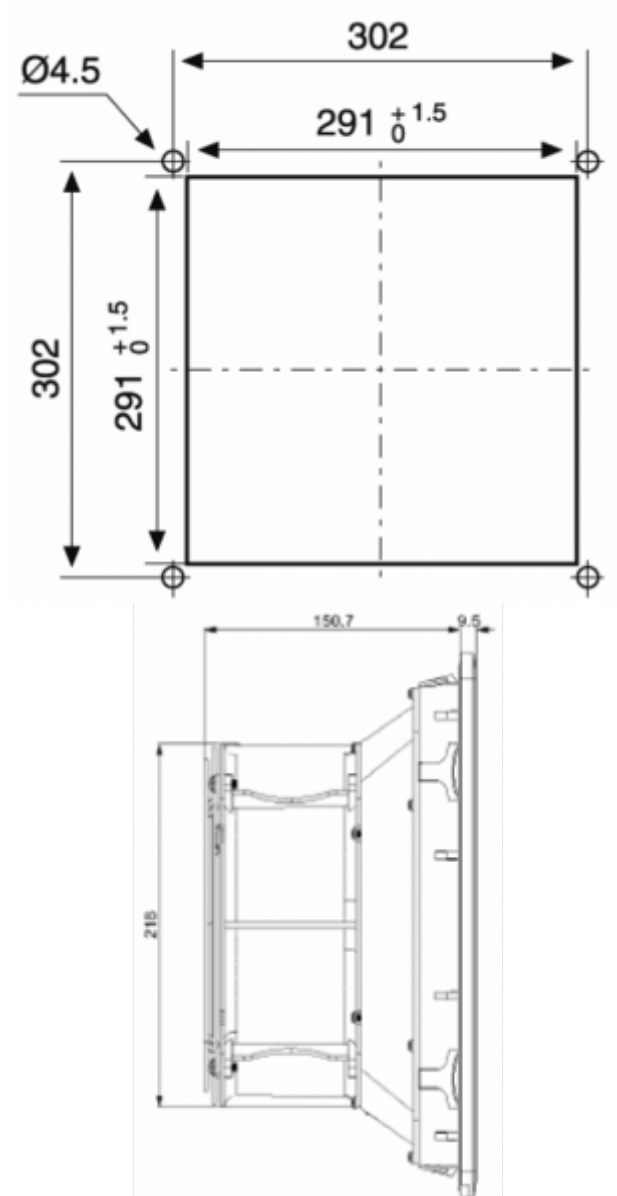
> [Overview Product Group SOLIFLEX - Filter fans & exhaust filters](#)

**Air flow:**

Q = Air flow [cfm]  
 P = Static pressure [inH2O]



click image to enlarge

**Cut Out Dimension:**


click image to enlarge

## Order Information

<b>Taric code</b>	84145915
<b>GTIN (EAN)</b>	5350604100848