


Fan assisted resistor heater



Description

Order Number:	503401
Brand Name:	SOLIFLEX
Colour:	silver
Housing Material:	Aluminum
Ingress Protection:	IP 20
Note:	PTC resistance self-regulating
Approvals:	CE, cURus
Accessories:	

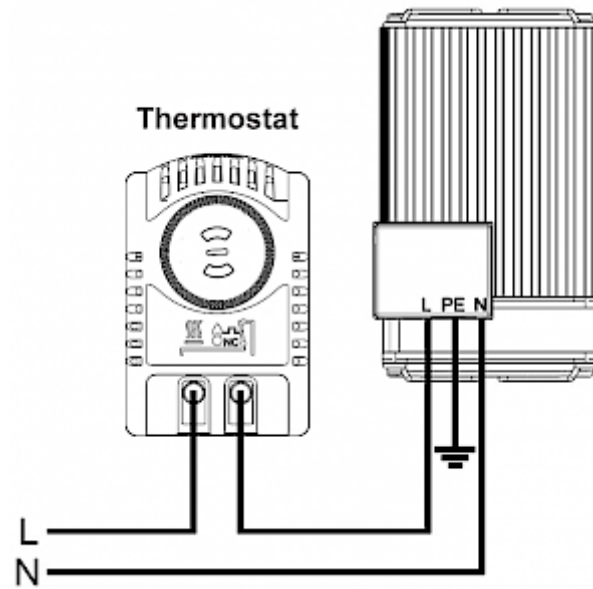
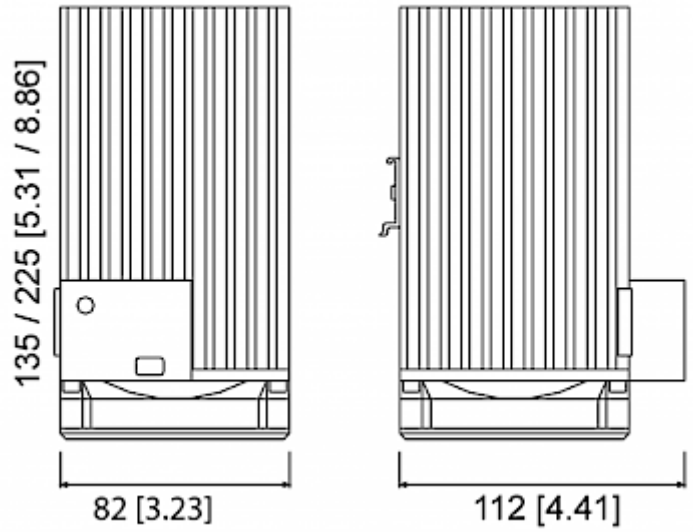
[Adjustable thermostat NC](#)

Technical Data

Heating power at 10°C:	400 W
Operating Temperature Range:	-25°C - 70°C
Mounting:	DIN rail
Dimensions A x B x C (D+E):	165 x 82 x 112 mm
Weight:	0.97 kg
Voltage / Frequency:	120 V ~ 50/60 Hz
Max. current:	3.8 A
Fan air flow, approx.:	35 m ³ /h
Connection:	3 screw terminals for stranded or rigid wire 2.5 mm ²

Please click on the graphics to download.
More CAD drawings can be found under [Product Download](#).
> [Overview Product Group SOLIFLEX - enclosure Heaters](#)

Cut Out Dimension:



click image to enlarge

Order Information

Taric code	85162999
GTIN (EAN)	5350604020139