

Fan assisted resistor heater



Description

| | |
|----------------------------|---|
| Order Number: | 503500 |
| Brand Name: | SOLIFLEX |
| Colour: | silver |
| Housing Material: | Aluminum |
| Ingress Protection: | IP 20 |
| Note: | PTC resistance self-regulating |
| Approvals: | CE, cURus |
| Accessories: |  |

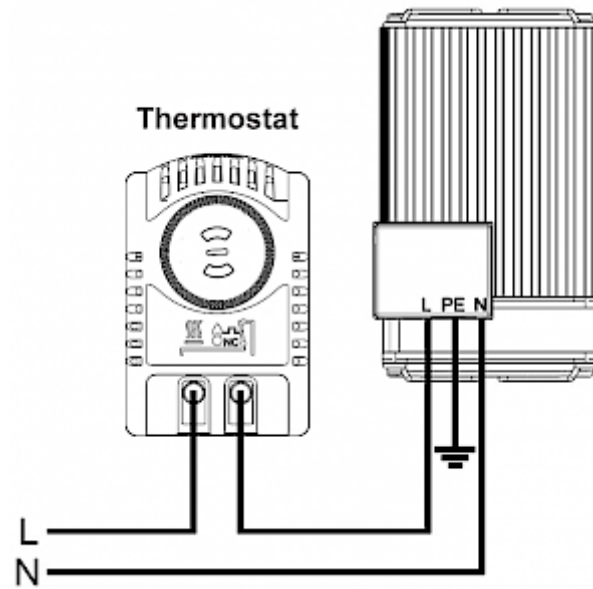
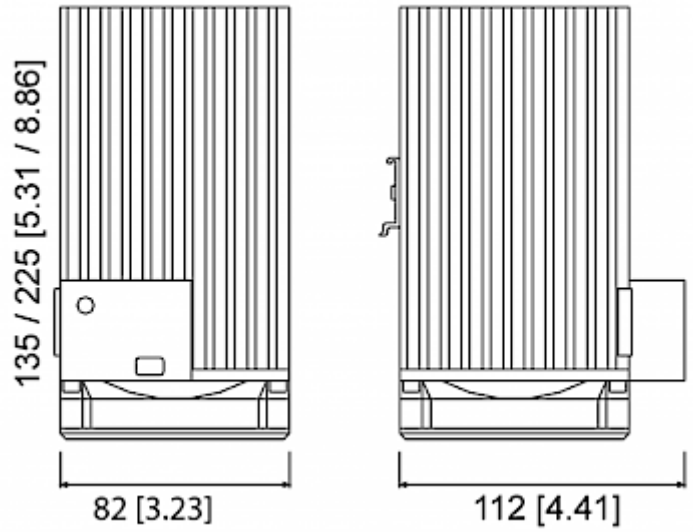
[Adjustable thermostat NC](#)

Technical Data

| | |
|-------------------------------------|---|
| Heating power at 10°C: | 500 W |
| Operating Temperature Range: | -25°C - 70°C |
| Mounting: | DIN rail |
| Dimensions A x B x C (D+E): | 165 x 82 x 112 mm |
| Weight: | 0.97 kg |
| Voltage / Frequency: | 230 V ~ 50/60 Hz |
| Max. current: | 2.4 A |
| Fan air flow, approx.: | 35 m ³ /h |
| Connection: | 3 screw terminals for stranded or rigid wire 2.5 mm ² |

Please click on the graphics to download.
More CAD drawings can be found under [Product Download](#).
> [Overview Product Group SOLIFLEX - enclosure Heaters](#)

Cut Out Dimension:



[click image to enlarge](#)

Order Information

| | |
|-------------------|---------------|
| Taric code | 85162999 |
| GTIN (EAN) | 5350604020146 |