

Temperature sensor



Description

Order Number:	301530
Colour:	Grey (RAL 7011)
Housing Material:	PC plastic
Ingress Protection:	IP 20
Approvals:	CE
UL File Number:	E358385

Technical Data

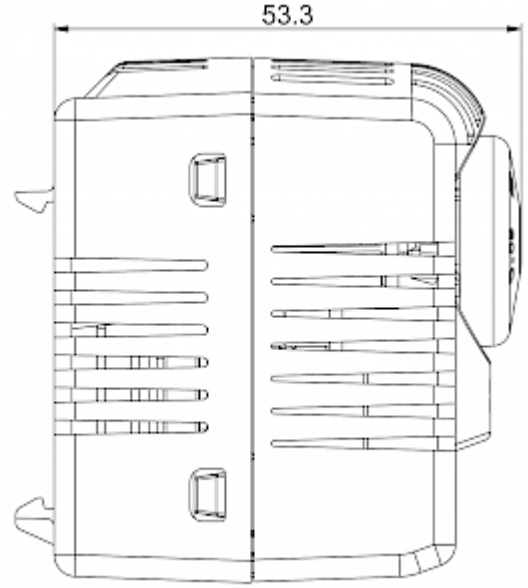
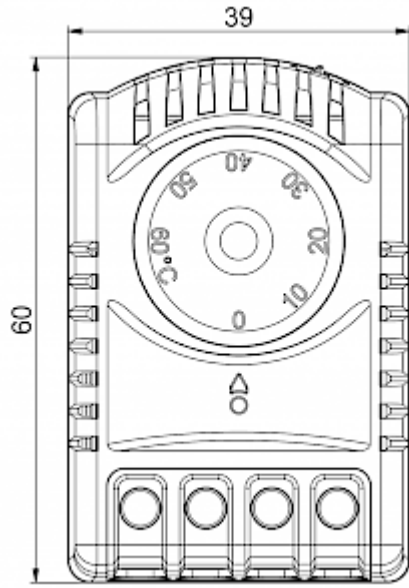
Operating Temperature Range:	-45°C - 120°C / 95%
Mounting:	Magnet
Dimensions A x B x C (D+E):	46.3 x 18 x 12.7 mm
Weight:	30 gr.
Voltage / Frequency:	24 V DC / 16 A
Lifetime:	100,000 hrs.
Connection:	Connecting cable 1.8 m

Please click on the graphics to download.

More CAD drawings can be found under [Product Download](#).

> [Overview Product Group SOLIFLEX - accessories for safety inside enclosures](#)

**Cut Out
Dimension:**



[click image to enlarge](#)

Order Information

Taric code	90321089
GTIN (EAN)	5350604010550