

Enclosure light 700 Lm



Description

Order Number:	400076
Brand Name:	STRIPLITE
Colour:	Top cover frosted / body blue
Housing Material:	PC plastic
Ingress Protection:	IP 20
Included:	Built-in motion sensor, switch off time 5 min. mounting accessories
Note:	class II Energy class F
Approvals:	CE

Accessories:



Female Connector



Male Connector



Power Cable Orange



Power Cable with Door Contact 3.5 m



Daisy Chain Cable Orange 0.5 m



Daisy Chain Cable Orange 1 m



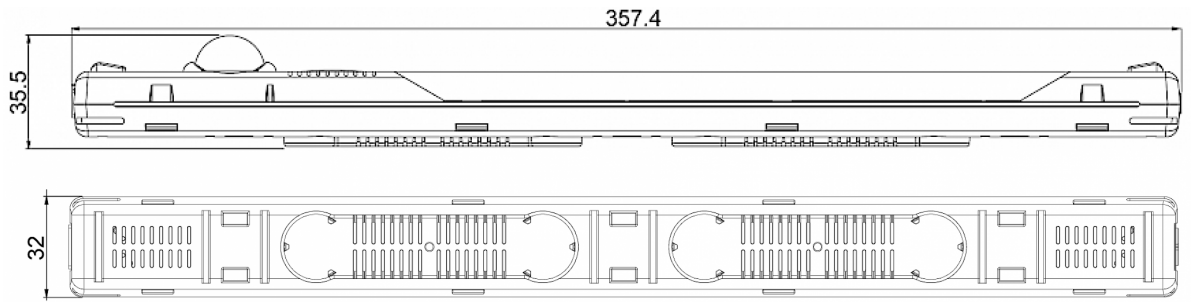
DIN rail clip

Technical Data

Operating Temperature Range:	-30°C - 70°C UL max temp: 60°C
Mounting:	Magnets / Clips
Dimensions A x B x C (D+E):	357.4 x 32 x 35.5 mm
Weight:	140 gr.
Voltage / Frequency:	120-230 V ~ 50/60 Hz
Power consumption:	8 Watt
Lamp:	LED, 6500K
Luminosity:	700 lm
Lifetime:	60.000 hrs. @ 20°C
Connection:	Connector system

Please click on the graphics to download.
 More CAD drawings can be found under [Product Download](#).
 > [Overview Product Group STRIPLITE - LED Enclosure Lights](#)

**Cut Out
Dimension:**



[click image to enlarge](#)

Order Information

Taric code

94054231
