

## Filter fan SF 4714 -100-240V



### Description

<b>Order Number:</b>	4714833201
<b>Brand Name:</b>	SOLIVENT PRO
<b>Colour:</b>	RAL 7035
<b>Housing Material:</b>	PC plastic
<b>IP protection class to EN 60 529:</b>	IP 54
<b>UL Typ (UL 50E):</b>	12
<b>Approvals:</b>	CE, cURus, cULus
<b>UL File Number:</b>	E498756

#### Accessories:



[Hose-proof protection hood FC 4000 100](#)



[Hose-proof protection hood FC 4000 100 FDA](#)



[Thermostat 301050](#)

## Technical Data

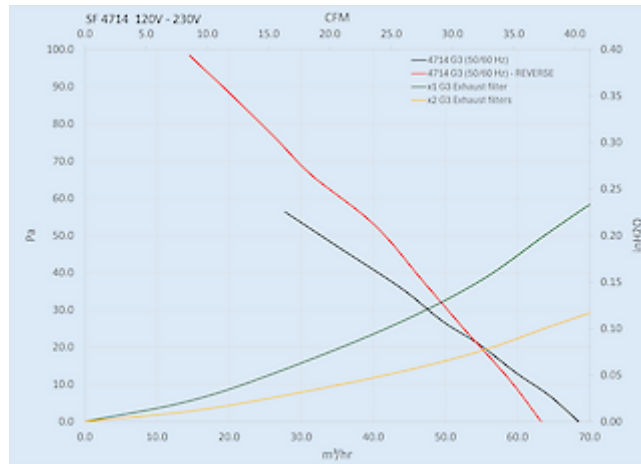
<b>Air flow unimpeded IP 54:</b>	68 m <sup>3</sup> /hr
<b>Air flow with exhaust filter IP 54:</b>	48 m <sup>3</sup> /hr
<b>Air flow with 2 exhaust filters IP 54:</b>	56 m <sup>3</sup> /hr
<b>Operating Temperature Range:</b>	-10°C - 60°C
<b>Storage temperature range:</b>	-40°C - 70°C
<b>Mounting:</b>	Wall mounted
<b>Dimensions A x B x C (D+E):</b>	147.5 x 147.5 x 82.6 (11.6+71) mm
<b>Weight:</b>	0.6 kg
<b>Cut out dimensions:</b>	124 x 124 mm
<b>Voltage / Frequency:</b>	100-240 VAC ~ 50/ 60 Hz
<b>Rated current:</b>	0.18 / 0.18 A
<b>Power consumption:</b>	15 / 15 W
<b>Noise level:</b>	51.5 dB(A)
<b>Fuse:</b>	1 A (T)
<b>Connection:</b>	Spring clamp

Please click on the graphics to download.

More CAD drawings can be found under [Product Download](#).

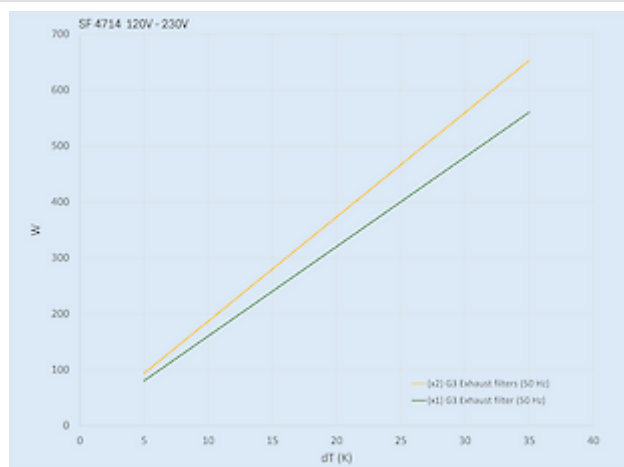
> [Overview Product Group SOLIVENT PRO - Filter fans & exhaust filters](#)

**Air flow:**



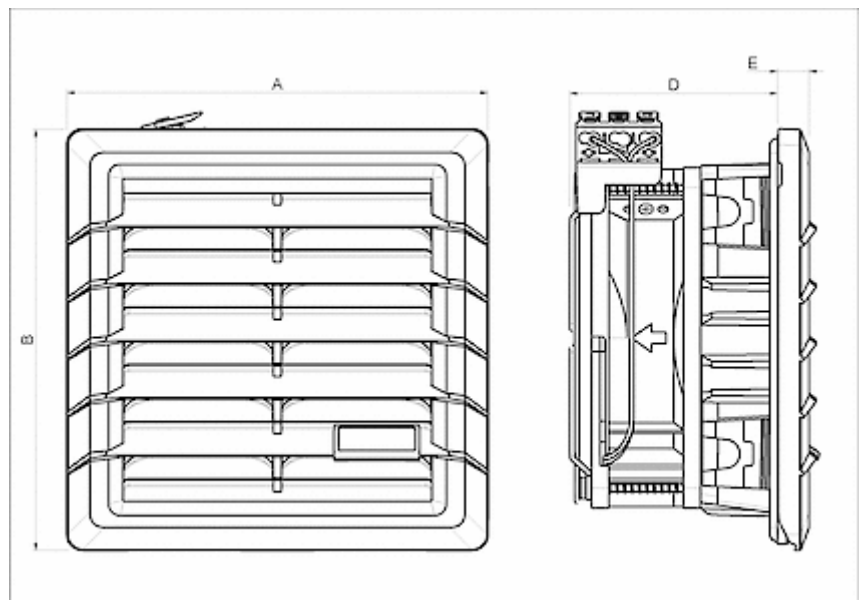
click image to enlarge

**Cooling capacity:**



click image to enlarge

**Cut out Dimensions:**



click image to enlarge

## Order Information

Order number	IP rating	UL Type	RAL colour	Flow type <sup>1)</sup>	Air flow (m <sup>3</sup> /h) <sup>2)</sup>	Air flow with exhaust filter (m <sup>3</sup> /h)
4714833201	54	12 / 3R	RAL 7035	B	68 m <sup>3</sup> /hr	48 m <sup>3</sup> /hr
4714833203	54	12 / 3R	RAL 9005	B	68 m <sup>3</sup> /hr	48 m <sup>3</sup> /hr
471483R3201	54	12 / 3R	RAL 7035	S	63 m <sup>3</sup> /hr	N/A
471483R3203	54	12 / 3R	RAL 9005	S	63 m <sup>3</sup> /hr	N/A

<sup>1)</sup> B = Blowing - from ambient into the enclosure (standard version)  
 S = Suction - from enclosure to ambient (on request)

<sup>2)</sup> unimpeded 50/60 Hz