

Outdoor filter fan SF 4714 - 230V



Description

Order Number:	4714022203
Brand Name:	SOLIVENT PRO
Colour:	RAL 9005
Housing Material:	PC plastic
IP protection class to EN 60 529:	IP 54
UL Typ (UL 50E):	12, 3R
Note:	IP 55 with filter O3 (see manual)
Approvals:	CE, cURus, cULus
UL File Number:	E498756

Technical Data

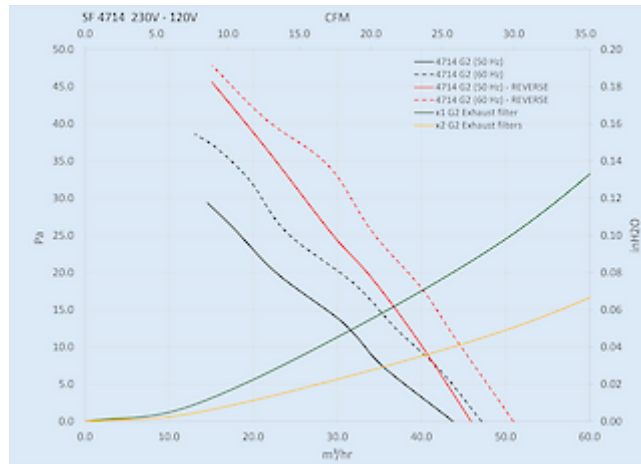
Air flow unimpeded IP 54:	52 / 60 m ³ /hr
Air flow with exhaust filter IP 54:	31 / 34 m ³ /hr
Operating Temperature Range:	-40°C - 70°C
Storage temperature range:	-40°C - 70°C
Mounting:	Wall mounted
Dimensions A x B x C (D+E):	147.5 x 147.5 x 82.6 (11.6+71) mm
Weight:	0.9 kg
Cut out dimensions:	124 x 124 mm
Voltage / Frequency:	230V ~ 50/60 Hz
Rated current:	0.17 / 0.17 A
Power consumption:	17 / 20 W
Noise level:	46 dB(A)
Fuse:	1 A (T)
Connection:	Spring clamp

Please click on the graphics to download.

More CAD drawings can be found under [Product Download](#).

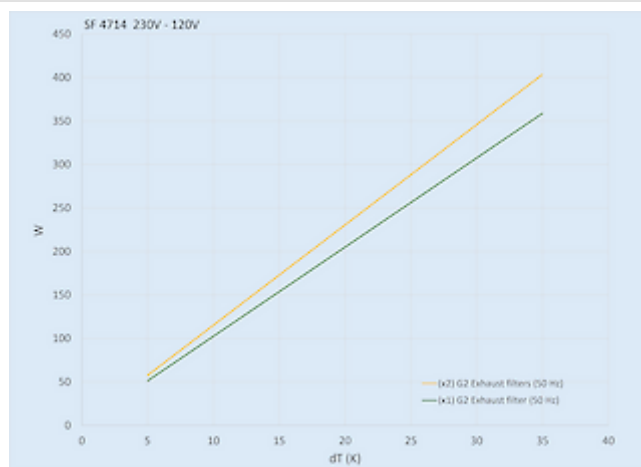
> [Overview Product Group SOLIVENT PRO - Filter fans & exhaust filters](#)

Air flow:



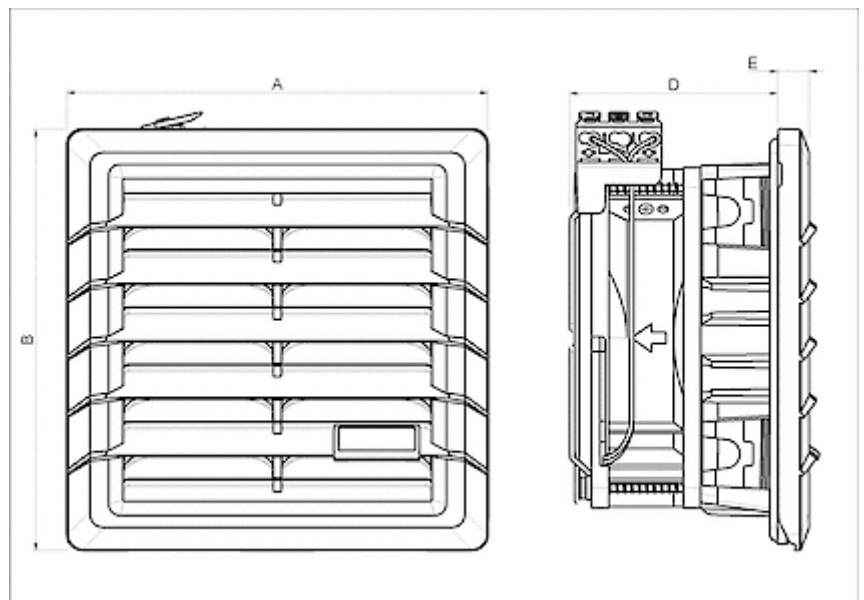
click image to enlarge

Cooling capacity:



click image to enlarge

Dimensions:



click image to enlarge

Order Information

Order number	IP rating	UL Type	RAL colour	Flow type ¹⁾	Air flow (m ³ /h) ²⁾	Air flow with exhaust filter (m ³ /h)
4714022203	54	12 / 3R	RAL 9005	B	44 / 47 m ³ /hr	31 / 34 m ³ /hr
4714023201	55	12 / 3R	RAL 7035	B	30 / 36 m ³ /hr	23 / 27 m ³ /hr
4714023203	55	12 / 3R	RAL 9005	B	30 / 36 m ³ /hr	23 / 27 m ³ /hr
471402R2201	54	12 / 3R	RAL 7035	S	46 / 51 m ³ /hr	
471402R2203	54	12 / 3R	RAL 9005	S	46 / 51 m ³ /hr	
471402R3201	55	12 / 3R	RAL 7035	S	41 / 44 m ³ /hr	
471402R3203	55	12 / 3R	RAL 9005	S	41 / 44 m ³ /hr	

¹⁾ B = Blowing - from ambient into the enclosure (standard version)
 S = Suction - from enclosure to ambient (on request)

²⁾ unimpeded 50/60 Hz