

## Outdoor filter fan SF 4714 - 120V



### Description

<b>Order Number:</b>	4714122203
<b>Brand Name:</b>	SOLIVENT PRO
<b>Colour:</b>	RAL 9005
<b>Housing Material:</b>	PC plastic
<b>IP protection class to EN 60 529:</b>	IP 54
<b>UL Typ (UL 50E):</b>	12, 3R
<b>Note:</b>	IP 55 with filter O3 (see manual)
<b>Approvals:</b>	CE, cURus, cULus
<b>UL File Number:</b>	E498756

## Technical Data

<b>Air flow unimpeded IP 54:</b>	44 / 47 m <sup>3</sup> /hr
<b>Air flow with exhaust filter IP 54:</b>	31 / 34 m <sup>3</sup> /hr
<b>Operating Temperature Range:</b>	-40°C - 70°C
<b>Storage temperature range:</b>	-40°C - 70°C
<b>Mounting:</b>	Wall mounted
<b>Dimensions A x B x C (D+E):</b>	147.5 x 147.5 x 82.6 (11.6+71) mm
<b>Cut out dimensions:</b>	124 x 124 mm
<b>Voltage / Frequency:</b>	120 V ~ 50/60 Hz
<b>Rated current:</b>	0.26 / 0.26 A
<b>Power consumption:</b>	21 / 18 W
<b>Noise level:</b>	45 dB(A)
<b>Fuse:</b>	1 A (T)
<b>Connection:</b>	Spring clamp

Please click on the graphics to download.

More CAD drawings can be found under [Product Download](#).

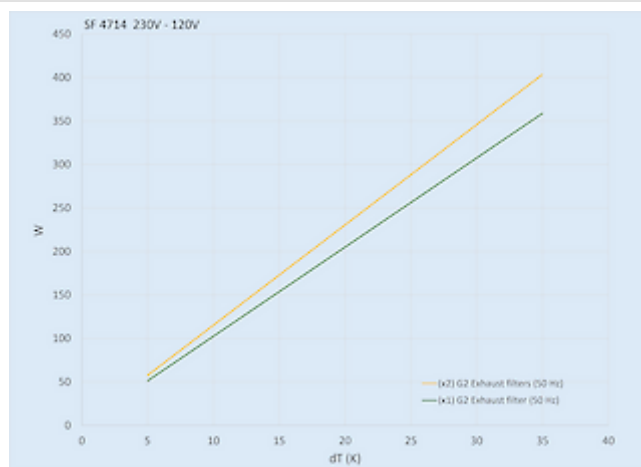
> [Overview Product Group SOLIVENT PRO - Filter fans & exhaust filters](#)

**Air flow:**



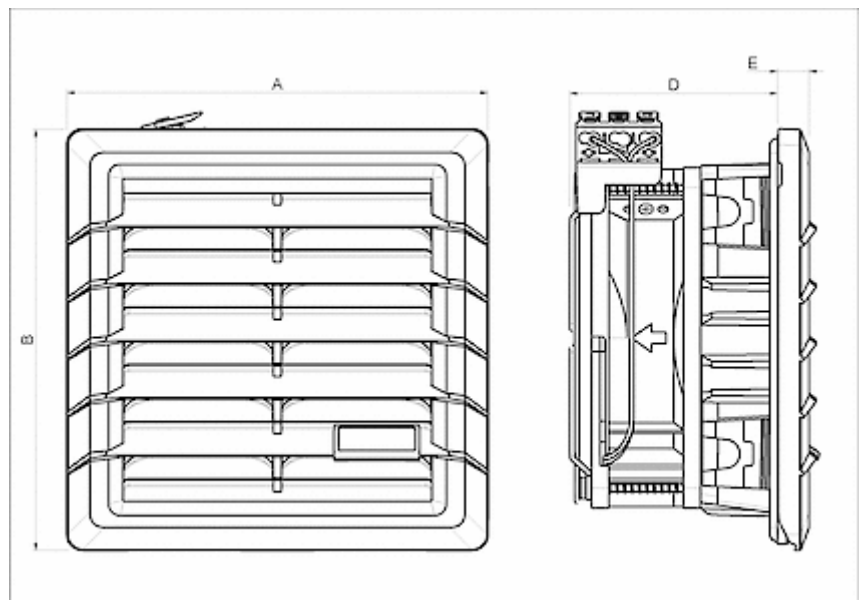
click image to enlarge

**Cooling capacity:**



click image to enlarge

**Cut out Dimensions:**



click image to enlarge

## Order Information

Order number	IP rating	UL Type	RAL colour	Flow type <sup>1)</sup>	Air flow (m <sup>3</sup> /h) <sup>2)</sup>	Air flow with exhaust filter (m <sup>3</sup> /h)
4714122201	54	12 / 3R	RAL 7035	B	44 / 47 m <sup>3</sup> /hr	31 / 34 m <sup>3</sup> /hr
4714122203	54	12 / 3R	RAL 9005	B	44 / 47 m <sup>3</sup> /hr	31 / 34 m <sup>3</sup> /hr
4714123201	55	12 / 3R	RAL 7035	B	30 / 36 m <sup>3</sup> /hr	23 / 27 m <sup>3</sup> /hr
4714123203	55	12 / 3R	RAL 9005	B	30 / 36 m <sup>3</sup> /hr	23 / 27 m <sup>3</sup> /hr
471412R2201	54	12 / 3R	RAL 7035	S	46 / 51 m <sup>3</sup> /hr	N/A
471412R2203	54	12 / 3R	RAL 9005	S	46 / 51 m <sup>3</sup> /hr	N/A
471412R3201	55	12 / 3R	RAL 7035	S	41 / 44 m <sup>3</sup> /hr	N/A
471412R3203	55	12 / 3R	RAL 9005	S	41 / 44 m <sup>3</sup> /hr	N/A

<sup>1)</sup> B = Blowing - from ambient into the enclosure (standard version)  
 S = Suction - from enclosure to ambient (on request)

<sup>2)</sup> unimpeded 50/60 Hz