

Exhaust filter SF 4711



Description

Order Number:	4711902003
Brand Name:	SOLIVENT PRO
Colour:	RAL 9005
IP protection class to EN 60 529:	IP 54
UL Typ (UL 50E):	12, 3R
Approvals:	CE, cURus, cULus
UL File Number:	E498756

Accessories:



[Hose-proof protection hood FC 4000 000 FDA](#)



[Hose-proof protection hood FC 4000 000](#)



[Thermostat 301050](#)

Technical Data

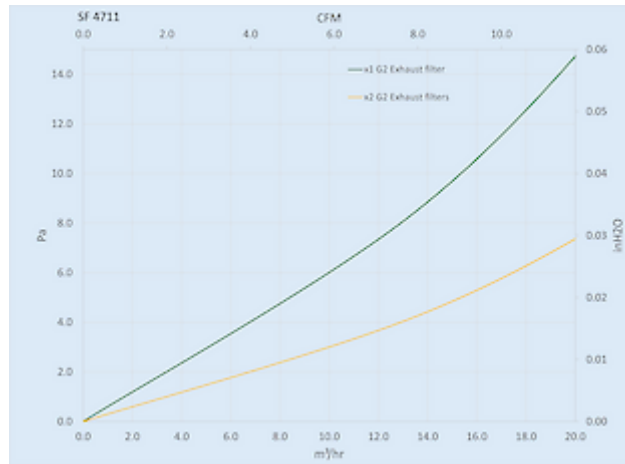
Operating Temperature Range:	-10°C - 60°C
Storage temperature range:	-40°C - 70°C
Mounting:	Wall mounted
Dimensions A x B x C (D+E):	115.5 x 115.5 x 35.6 mm
Weight:	120 g.
Cut out dimensions:	92 x 92 mm

Please click on the graphics to download.

More CAD drawings can be found under [Product Download](#).

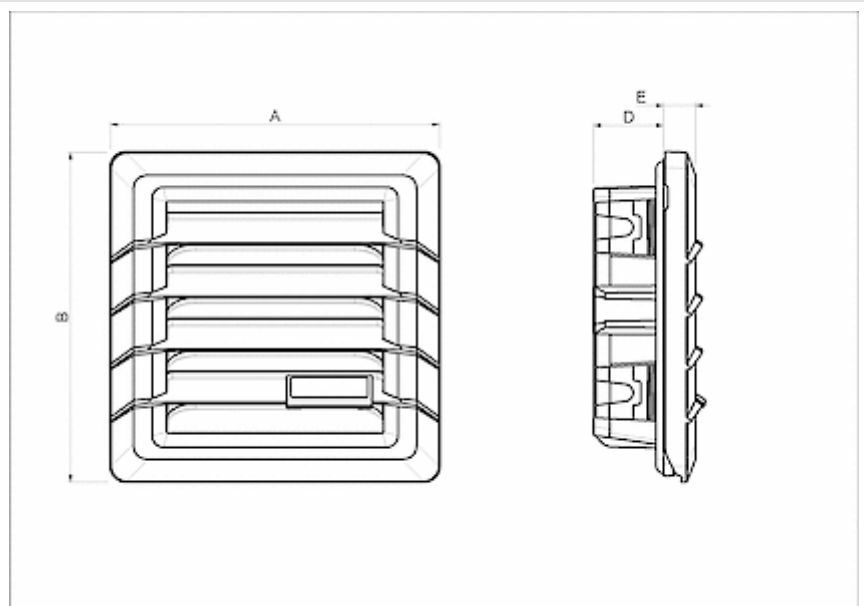
> [Overview Product Group SOLIVENT PRO - Filter fans & exhaust filters](#)

Air flow:



click image to enlarge

Cut out Dimensions:



click image to enlarge

Order Information

Order number	IP rating	UL Type	RAL colour	Flow type ¹⁾	Air flow (m ³ /h) ²⁾	Air flow with exhaust filter (m ³ /h)
4711902001	54	12 / 3R	RAL 7035	N/A	N/A	N/A
4711902003	54	12 / 3R	RAL 9005	N/A	N/A	N/A

¹⁾ B = Blowing - from ambient into the enclosure (standard version)

S = Suction - from enclosure to ambient (on request)

²⁾ unimpeded 50/60 Hz

Taric ode 84145915