

## Exhaust filter SF 4711



### Description

<b>Order Number:</b>	4711902001
<b>Brand Name:</b>	SOLIVENT PRO
<b>Colour:</b>	RAL 7035
<b>IP protection class to EN 60 529:</b>	IP 54
<b>UL Typ (UL 50E):</b>	12
<b>Approvals:</b>	CE, cURus, cULus
<b>UL File Number:</b>	E498756

#### Accessories:



[Hose-proof protection hood FC 4000 000 FDA](#)



[Hose-proof protection hood FC 4000 000](#)



[Thermostat 301050](#)

## Technical Data

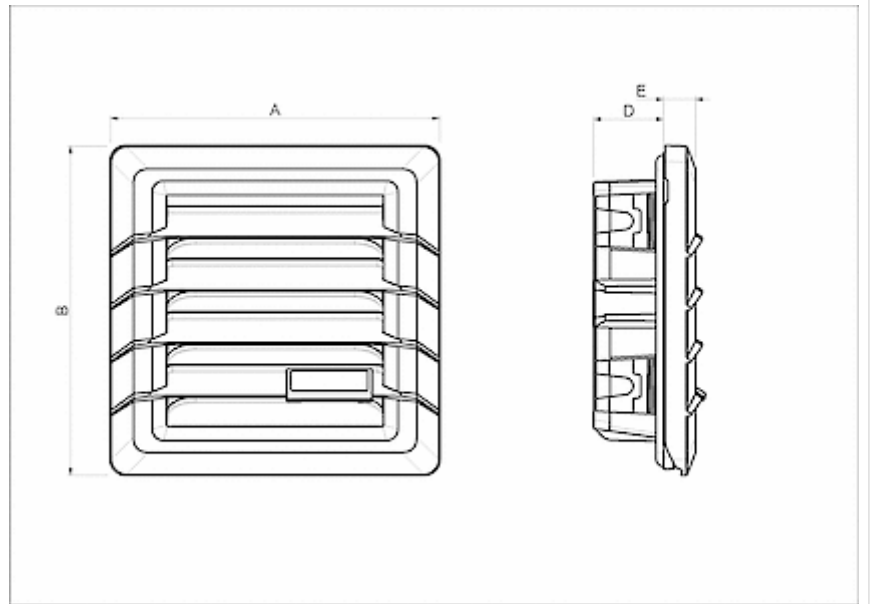
<b>Operating Temperature Range:</b>	-10°C - 60°C
<b>Storage temperature range:</b>	-40°C - 70°C
<b>Mounting:</b>	Wall mounted
<b>Dimensions A x B x C (D+E):</b>	115.5 x 115.5 x 35.6 mm
<b>Weight:</b>	120 g.
<b>Cut out dimensions:</b>	92 x 92 mm

Please click on the graphics to download.

More CAD drawings can be found under [Product Download](#).

> [Overview Product Group SOLIVENT PRO - Filter fans & exhaust filters](#)

**Cut out Dimensions:**



[click image to enlarge](#)

## Order Information

Order number	IP rating	UL Type	RAL colour	Flow type <sup>1)</sup>	Air flow (m <sup>3</sup> /h) <sup>2)</sup>	Air flow with exhaust filter (m <sup>3</sup> /h)
4711902001	54	12 / 3R	RAL 7035	N/A	N/A	N/A
4711902003	54	12 / 3R	RAL 9005	N/A	N/A	N/A

<sup>1)</sup> B = Blowing - from ambient into the enclosure (standard version)

S = Suction - from enclosure to ambient (on request)

<sup>2)</sup> unimpeded 50/60 Hz

**Taric ode** 84145915