

Exhaust filter for SF 4732



Description

Order Number:	4732902001
Brand Name:	SOLIVENT PRO
Colour:	RAL 7035
IP protection class to EN 60 529:	IP 54
UL Typ (UL 50E):	12
Approvals:	CE, cURus, cULus
UL File Number:	E498756

Accessories:



[Hose-proof protection hood FC 4000 400 FDA](#)



[Hose-proof protection hood FC 4000 400](#)



[Thermostat 301050](#)

Technical Data

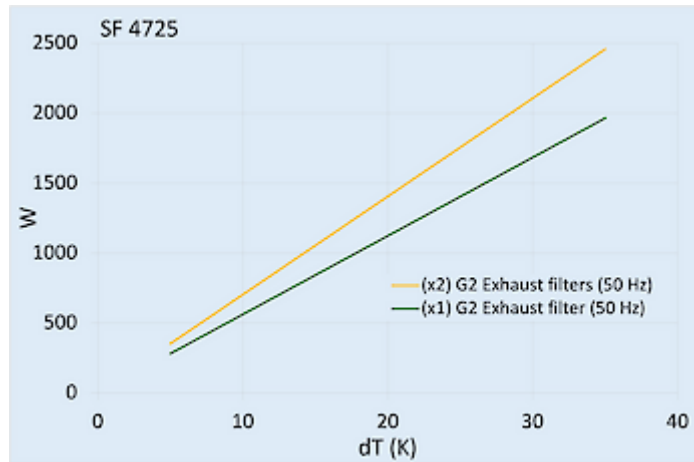
Operating Temperature Range:	-10°C - 60°C
Mounting:	Wall mounted
Dimensions A x B x C (D+E):	323.5 x 323.5 x 43.5 mm
Weight:	1 kg.
Cut out dimensions:	292 x 292 mm

Please click on the graphics to download.

More CAD drawings can be found under [Product Download](#).

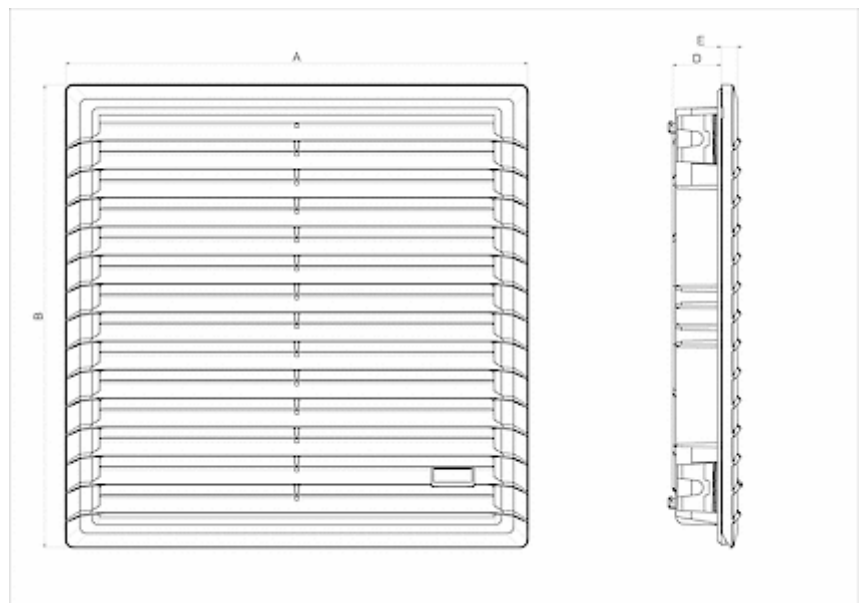
> [Overview Product Group SOLIVENT PRO - Filter fans & exhaust filters](#)

Cooling capacity:



click image to enlarge

Cut out Dimensions:



click image to enlarge

Order Information

Order number	IP rating	UL Type	RAL colour	Flow type ¹⁾	Air flow (m ³ /h) ²⁾	Air flow with exhaust filter (m ³ /h)
4732902001	54	12 / 3R	RAL 7035	N/A	N/A	N/A
4732902003	54	12 / 3R	RAL 9005	N/A	N/A	N/A
4732903001	55	12 / 3R	RAL 7035	N/A	N/A	N/A
4732903003	55	12 / 3R	RAL 9005	N/A	N/A	N/A

¹⁾ B = Blowing - from ambient into the enclosure (standard version)
S = Suction - from enclosure to ambient (on request)

²⁾ unimpeded 50/60 Hz

Taric ode 84145915