

Filter fan SF 4720 - 24V



Description

Order Number:	4720322201
Brand Name:	SOLIVENT PRO
Colour:	RAL 7035
Housing Material:	PC plastic
IP protection class to EN 60 529:	IP 54
UL Typ (UL 50E):	12
Note:	IP 55 with filter O3 (see manual)
Approvals:	CE, cURus, cULus
UL File Number:	E498756

Accessories:



[Hose-proof protection hood FC 4000 200](#)



[Hose-proof protection hood FC 4000 200 FDA](#)

Technical Data

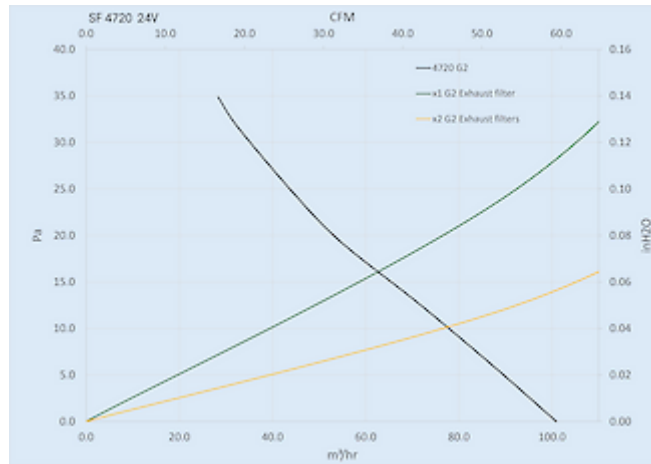
Air flow unimpeded IP 54:	101 m ³ /hr
Air flow with exhaust filter IP 54:	63 m ³ /hr
Operating Temperature Range:	-10°C - 60°C
Storage temperature range:	-40°C - 70°C
Mounting:	Wall mounted
Dimensions A x B x C (D+E):	204.5 x 204.5 x 98.7 (11.6+87.1) mm
Cut out dimensions:	177 x 177 mm
Voltage / Frequency:	24 V DC
Rated current:	0.21 A
Power consumption:	5 W
Wall thickness:	1-3 mm
Noise level:	44.5 dB(A)
Fuse:	1 A (T)
Connection:	Spring terminal

Please click on the graphics to download.

More CAD drawings can be found under [Product Download](#).

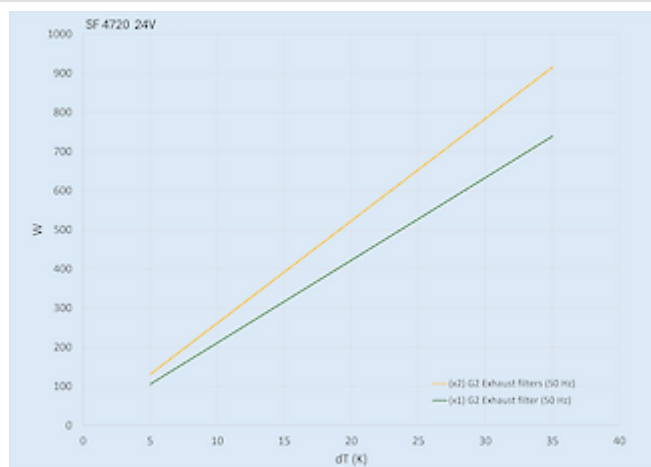
> [Overview Product Group SOLIVENT PRO - Filter fans & exhaust filters](#)

Air flow:



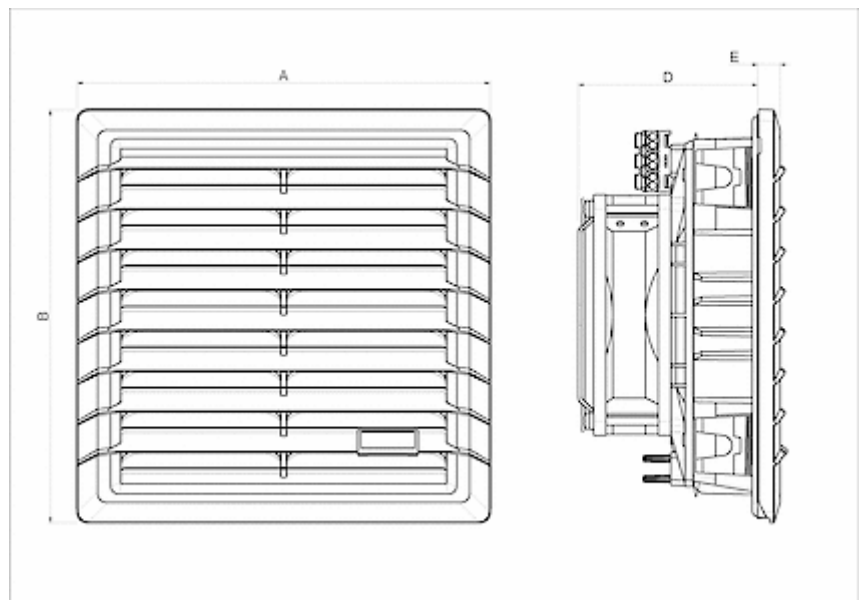
click image to enlarge

Cooling capacity:



click image to enlarge

Cut out Dimensions:



click image to enlarge

Order Information

Order number	IP rating	UL Type	RAL colour	Flow type ¹⁾	Air flow (m ³ /h) ²⁾	Air flow with exhaust filter (m ³ /h)
4720322201	54	12 / 3R	RAL 7035	B	101 m ³ /hr	63 m ³ /hr
4720322203	54	12 / 3R	RAL 9005	B	101 m ³ /hr	63 m ³ /hr
4720323201	55	12 / 3R	RAL 7035	B	92 m ³ /hr	57 m ³ /hr
4720323203	55	12 / 3R	RAL 9005	B	92 m ³ /hr	57 m ³ /hr
472032R2201	54	12 / 3R	RAL 7035	S	N/A	N/A
472032R2203	54	12 / 3R	RAL 9005	S	N/A	N/A
472032R3201	55	12 / 3R	RAL 7035	S	N/A	N/A
472032R3203	55	12 / 3R	RAL 9005	S	N/A	N/A

¹⁾ B = Blowing - from ambient into the enclosure (standard version)
 S = Suction - from enclosure to ambient (on request)

²⁾ unimpeded 50/60 Hz