

## Filter fan SF 4720 - 24V



### Description

<b>Order Number:</b>	4720352201
<b>Brand Name:</b>	SOLIVENT PRO
<b>Colour:</b>	RAL 7035
<b>Housing Material:</b>	PC plastic
<b>IP protection class to EN 60 529:</b>	IP 54
<b>UL Typ (UL 50E):</b>	12
<b>Note:</b>	IP 55 with filter O3 (see manual)
<b>Approvals:</b>	CE, cURus, cULus
<b>UL File Number:</b>	E498756

#### Accessories:



[Hose-proof protection hood FC 4000 200](#)



[Hose-proof protection hood FC 4000 200 FDA](#)

## Technical Data

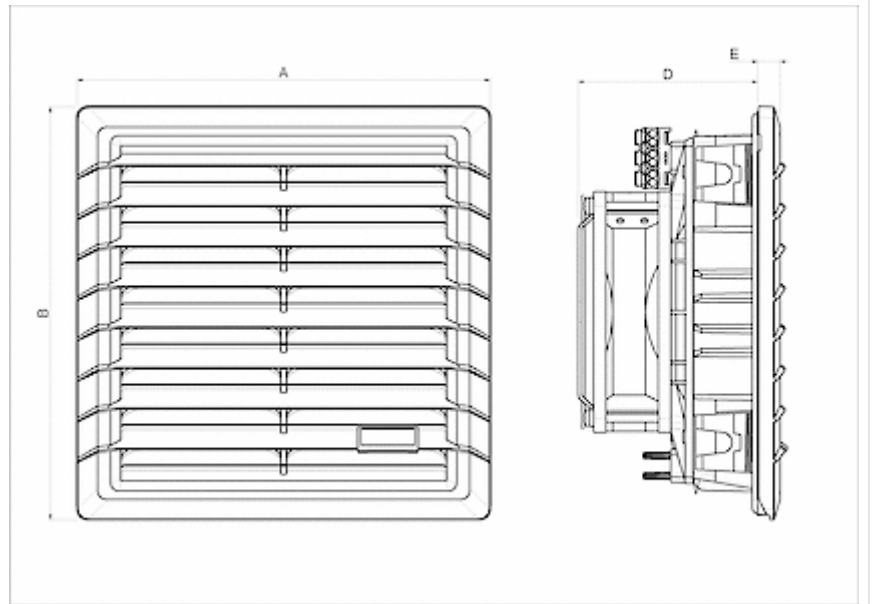
<b>Air flow unimpeded IP 54:</b>	130 m <sup>3</sup> /hr
<b>Air flow with exhaust filter IP 54:</b>	85 m <sup>3</sup> /hr
<b>Operating Temperature Range:</b>	-10°C - 60°C
<b>Storage temperature range:</b>	-40°C - 70°C
<b>Mounting:</b>	Wall mounted
<b>Dimensions A x B x C (D+E):</b>	204.5 x 204.5 x 98.7 (11.6+87.1) mm
<b>Weight:</b>	0.8 Kg
<b>Cut out dimensions:</b>	177 x 177 mm
<b>Voltage / Frequency:</b>	24 V DC
<b>Rated current:</b>	0.5 A
<b>Power consumption:</b>	12 W
<b>Wall thickness:</b>	1-3 mm
<b>Noise level:</b>	50 dB(A)
<b>Fuse:</b>	1 A (T)
<b>Connection:</b>	Spring terminal

Please click on the graphics to download.

More CAD drawings can be found under [Product Download](#).

> [Overview Product Group SOLIVENT PRO - Filter fans & exhaust filters](#)

**Cut out Dimensions:**



[click image to enlarge](#)

## Order Information

Order number	IP rating	UL Type	RAL colour	Flow type <sup>1)</sup>	Air flow (m <sup>3</sup> /h) <sup>2)</sup>	Air flow with exhaust filter (m <sup>3</sup> /h)
4720352201	54	12 / 3R	RAL 7035	B	130 m <sup>3</sup> /hr	85 m <sup>3</sup> /hr
4720352203	54	12 / 3R	RAL 9005	B	130 m <sup>3</sup> /hr	85 m <sup>3</sup> /hr
4720353201	55	12 / 3R	RAL 7035	B	113 m <sup>3</sup> /hr	76 m <sup>3</sup> /hr
4720353203	55	12 / 3R	RAL 9005	B	113 m <sup>3</sup> /hr	76 m <sup>3</sup> /hr
472035R2201	54	12 / 3R	RAL 7035	S	N/A	N/A
472035R2203	54	12 / 3R	RAL 9005	S	N/A	N/A
472035R3201	55	12 / 3R	RAL 7035	S	N/A	N/A
472035R3203	55	12 / 3R	RAL 9005	S	N/A	N/A

<sup>1)</sup> B = Blowing - from ambient into the enclosure (standard version)  
 S = Suction - from enclosure to ambient (on request)

<sup>2)</sup> unimpeded 50/60 Hz