

Filter fan SF 4720 -100-240V



Description

Order Number:	4720852203
Brand Name:	SOLIVENT PRO
Colour:	RAL 9005
Housing Material:	PC plastic
IP protection class to EN 60 529:	IP 54
UL Typ (UL 50E):	12, 3R
Approvals:	CE, cURus, cULus
UL File Number:	E498756

Technical Data

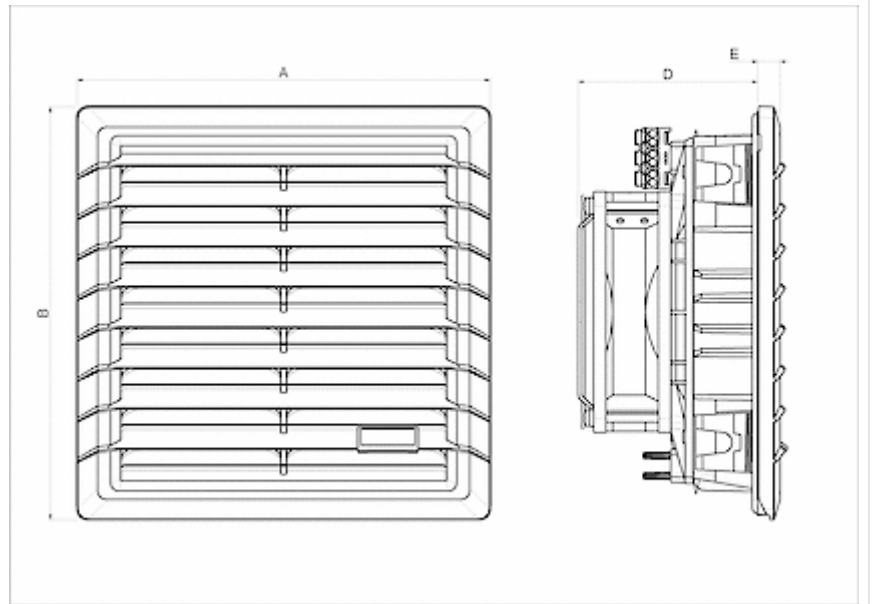
Air flow unimpeded IP 54:	143 m ³ /hr
Air flow with exhaust filter IP 54:	53.6 CFM
Operating Temperature Range:	-40°C - 70°C
Storage temperature range:	-40°C - 70°C
Mounting:	Wall mounted
Dimensions A x B x C (D+E):	204.5 x 204.5 x 98.7 (11.6+87.1) mm
Weight:	0.8 Kg
Cut out dimensions:	177 x 177 mm
Voltage / Frequency:	100-240 VAC
Rated current:	0.18 / 0.18 A
Power consumption:	15 / 15 W
Wall thickness:	1-3 mm
Noise level:	51.5 dB(A)
Fuse:	1 A (T)
Connection:	Spring terminal

Please click on the graphics to download.

More CAD drawings can be found under [Product Download](#).

> [Overview Product Group SOLIVENT PRO - Filter fans & exhaust filters](#)

Cut out Dimensions:



[click image to enlarge](#)

Order Information

Order number	IP rating	UL Type	RAL colour	Flow type ¹⁾	Air flow (m ³ /h) ²⁾	Air flow with exhaust filter (m ³ /h)
4720852201	54	12 / 3R	RAL 7035	B	143 m ³ /hr	91 m ³ /hr
4720852203	54	12 / 3R	RAL 9005	B	143 m ³ /hr	91 m ³ /hr
4720853201	55	12 / 3R	RAL 7035	B	126 m ³ /hr	84 m ³ /hr
4720853203	55	12 / 3R	RAL 9005	B	126 m ³ /hr	84 m ³ /hr
472085R2201	54	12 / 3R	RAL 7035	S	N/A	N/A
472085R2203	54	12 / 3R	RAL 9005	S	N/A	N/A
472085R3201	55	12 / 3R	RAL 7035	S	N/A	N/A
472085R3203	55	12 / 3R	RAL 9005	S	N/A	N/A

¹⁾ B = Blowing - from ambient into the enclosure (standard version)
 S = Suction - from enclosure to ambient (on request)

²⁾ unimpeded 50/60 Hz