



wegweisend innovativ






CE-8200
Condensate evaporator
Externally mounted

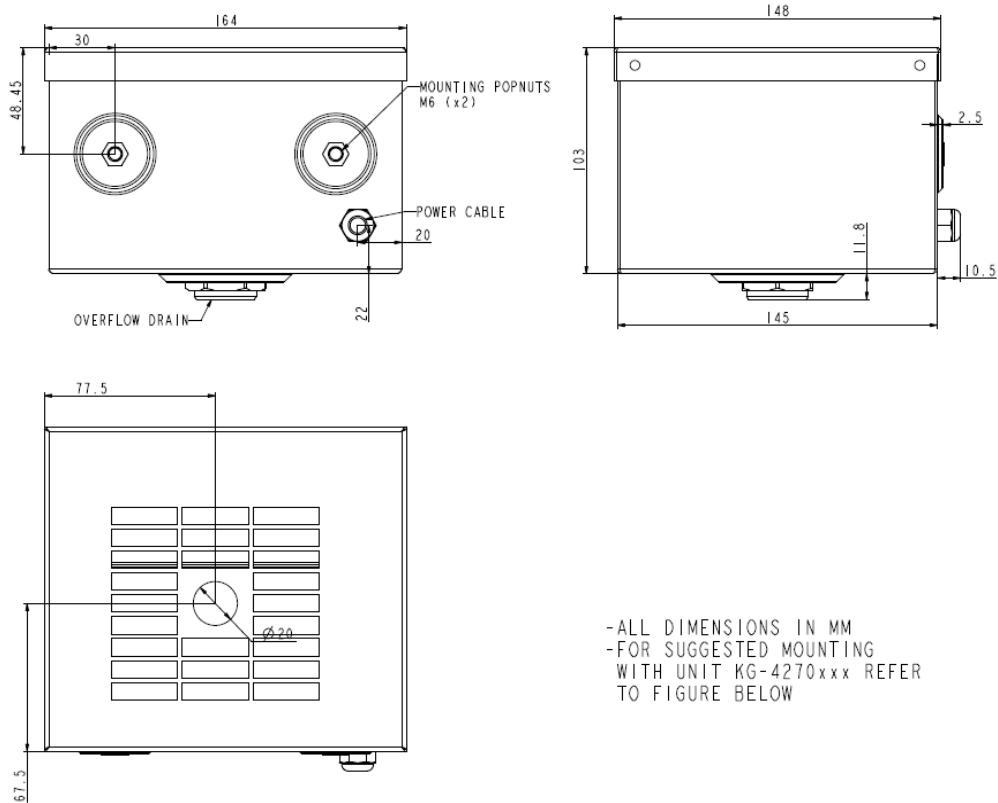
Technical Data

CE-8200		
Part-Nr.	82000001	[-]
Housing / dimensions		
Height x Width x Depth	103 x 164 x 148	[mm]
Implementation	External Mounting	[-]
Housing material	Sheet steel, powder coated RAL7035	[-]
Weight	1.2	[kg]
Electrical data		
Voltage	230	[V]
Frequency	50 / 60	[Hz]
Starting current	2	[A]
Power consumption		
<ul style="list-style-type: none"> • During operation (max. heater fully immersed) 	230	[W]
<ul style="list-style-type: none"> • Standby (dry) 	25	[W]
Performance		
Evaporation rate	0.25	l/hr

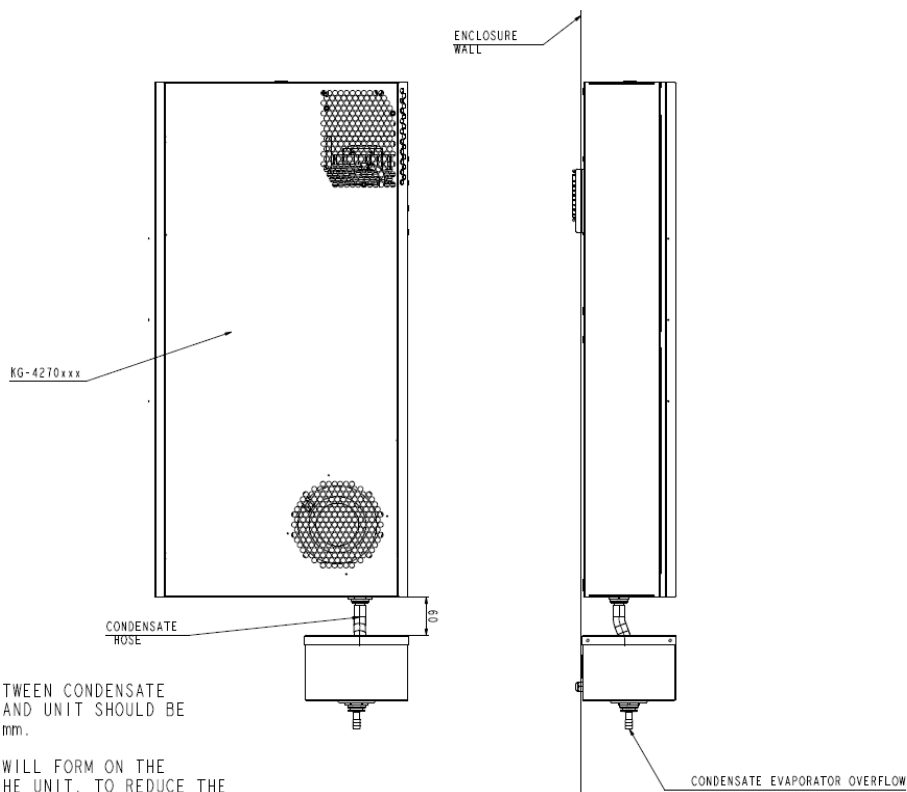
Safety Instructions

	<p><i>Danger from electrical voltage.</i></p> <p>Only specialised personnel are allowed to maintain and clean the unit. The personnel must ensure that for the duration of the maintenance and cleaning the unit is disconnected from the electrical supply.</p>
	<p><i>Danger from hot surfaces.</i></p> <p>External surfaces may become hot during operation, and remain such after the unit has been switched off.</p>
	<p><i>Danger from hot surfaces.</i></p> <p>Internal surfaces become hot during operation. Do not try to touch water tray during unit operation.</p>

Mounting Information



-ALL DIMENSIONS IN MM
 -FOR SUGGESTED MOUNTING
 WITH UNIT KG-4270xxx REFER
 TO FIGURE BELOW



-DISTANCE BETWEEN CONDENSATE EVAPORATOR AND UNIT SHOULD BE AT LEAST 60mm.

-CONDENSATE WILL FORM ON THE BOTTOM OF THE UNIT. TO REDUCE THE AMOUNT OF CONDENSATE FORMING MAXIMIZE THE DISTANCE SEPERATING THE UNIT AND THE CONDENSATE EVAPORATOR AND PROVIDE ADEQUATE VENTILATION.

Contact:

Seifert Systems Ltd.
HF 09/10 Hal Far Industrial Estate
Birzebbuga
BBG 3000, Malta

Tel. +356 2220 7000

Fax + 356 2165 2009

info@seifertsystems.com

www.seifertsystems.com

Technical rights reserved.
Art. No. PR596708200 / Ver. A / 15.10.2014