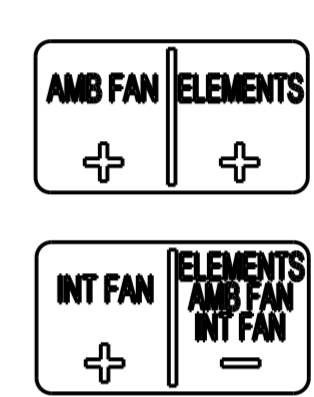
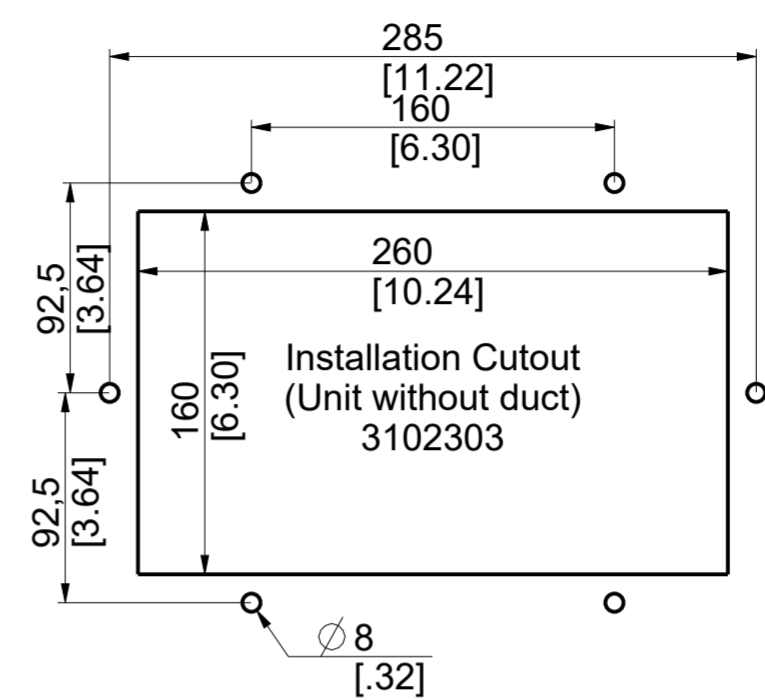
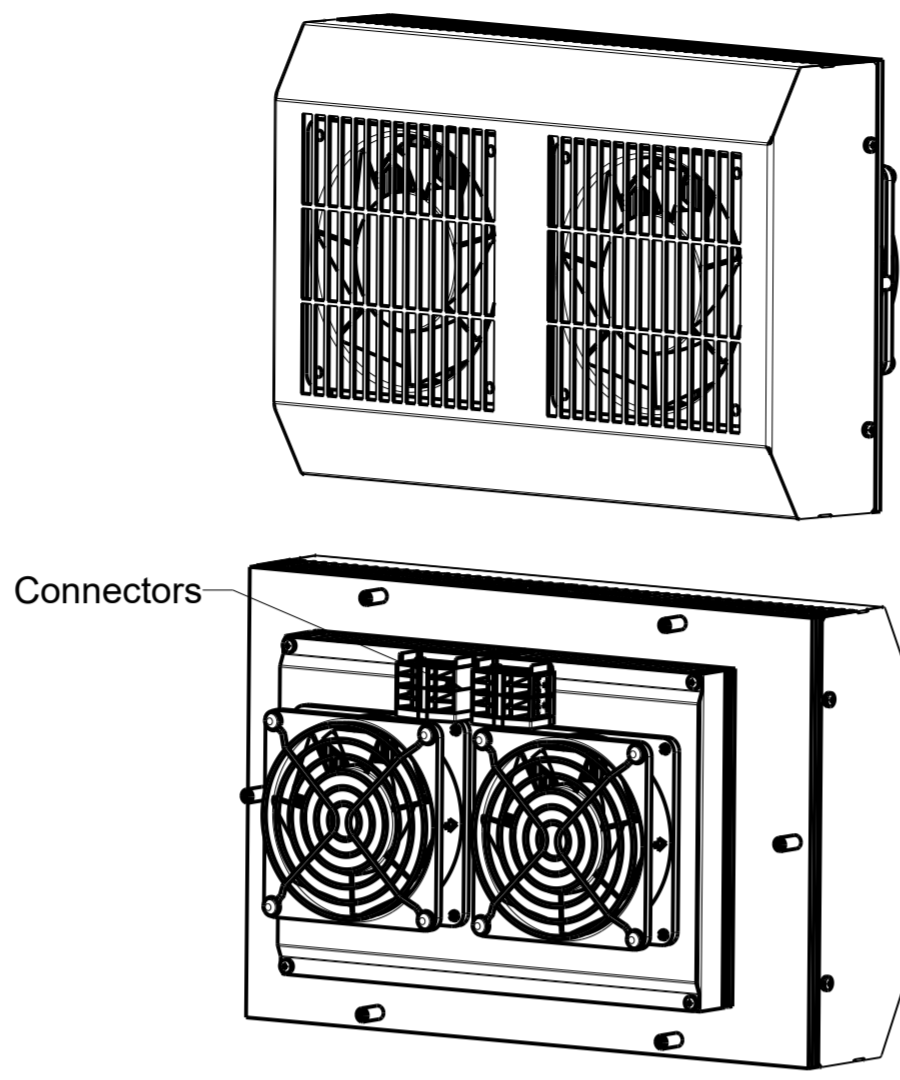
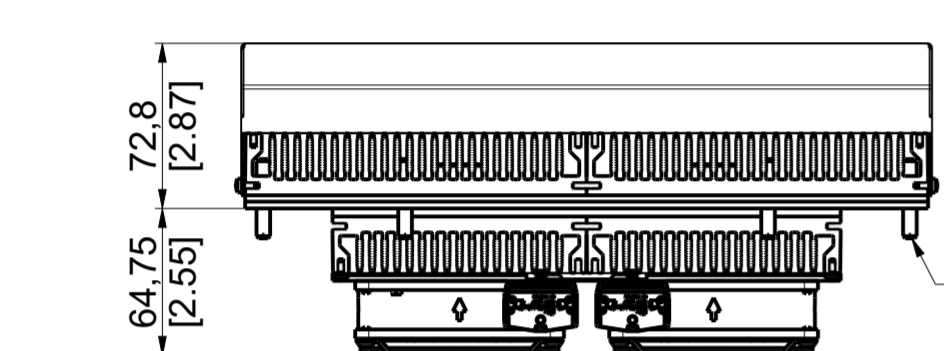
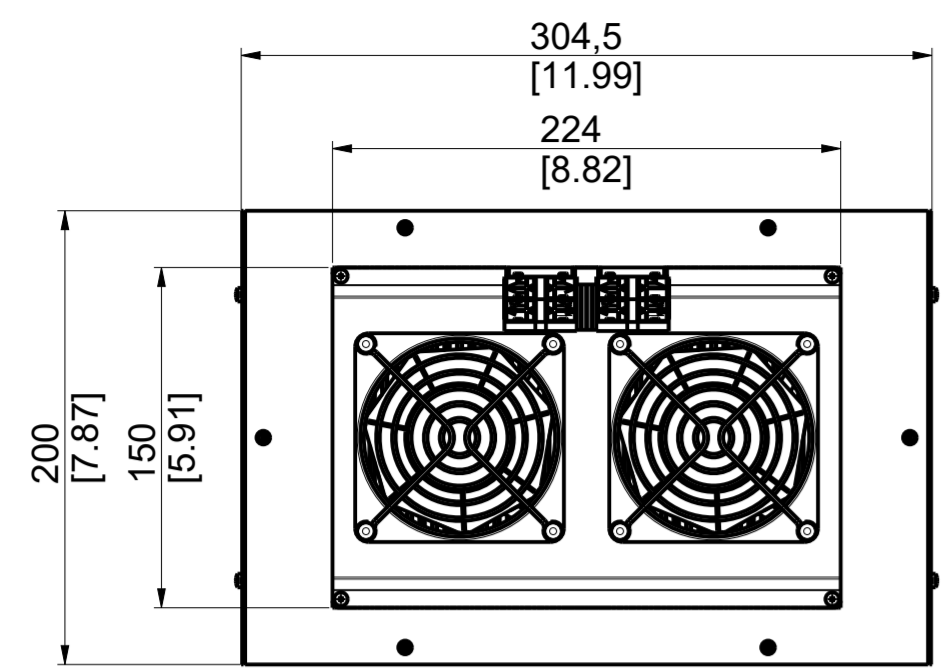


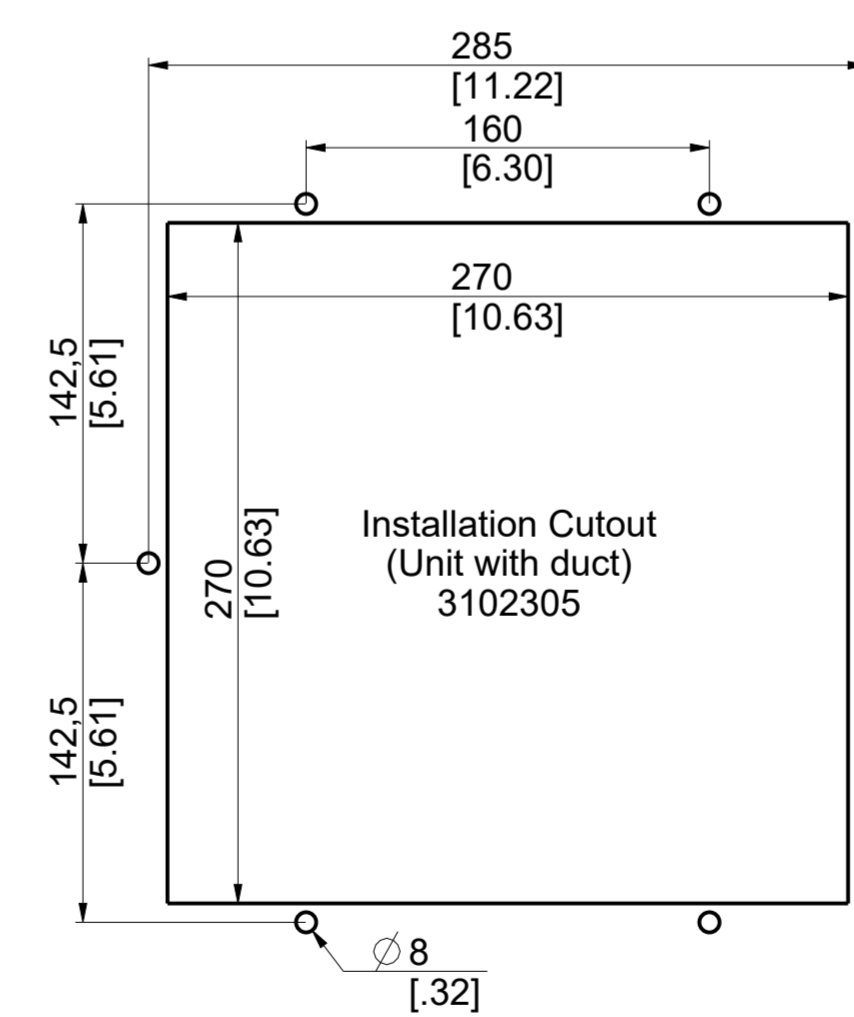
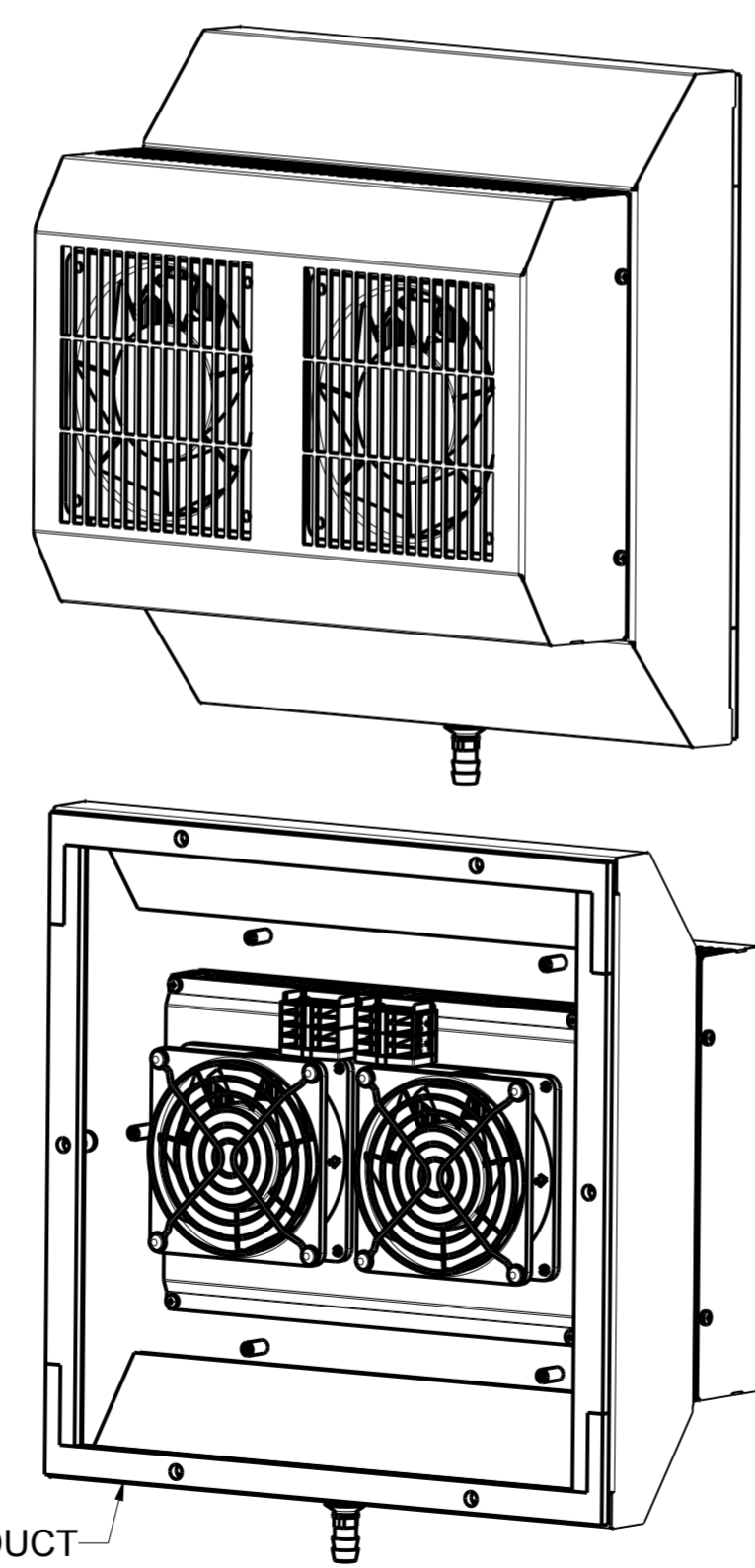
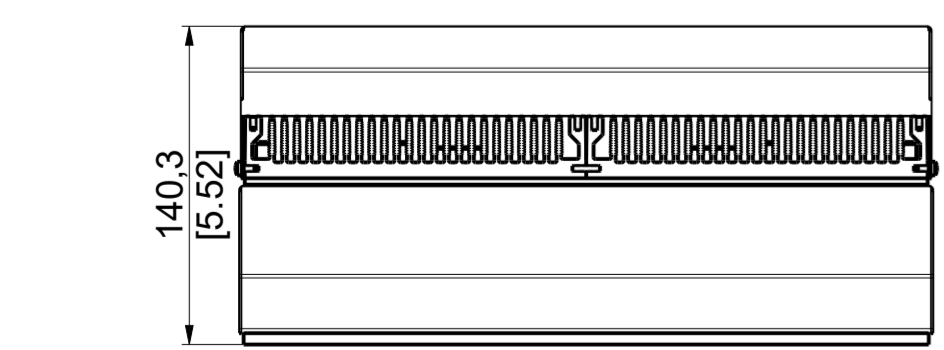
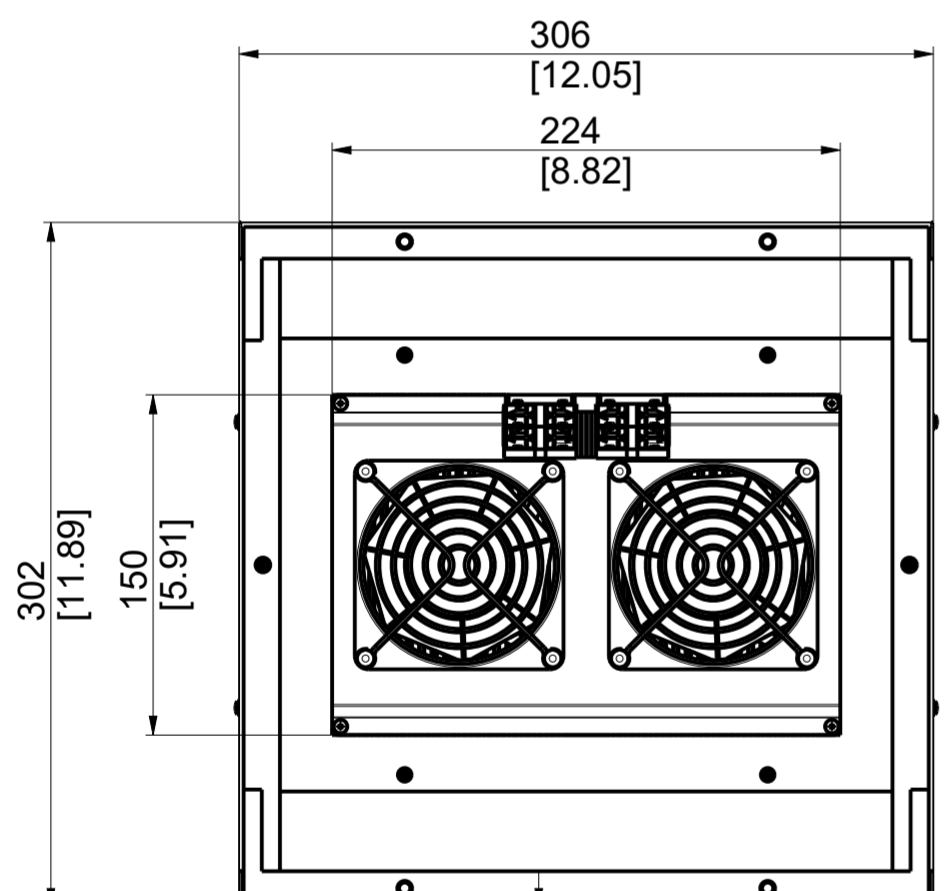
UNLESS OTHERWISE SPECIFIED, DIMENSIONS ARE IN MM. DIMENSIONS W/O TOLERANCES ISO2768-mK AS FOLLOWS. SURFACES ISO1302. TOLERANCES ARE NOT CUMULATIVE.

LINEAR DIMENSIONS							
0.5 to 3	>3 to 6	>6 to 30	>30 to 120	>120 to 400	>400 to 1000	>1000 to 2000	>2000 to 4000
±0.1	±0.1	±0.2	±0.3	±0.5	±0.8	±1.2	±2

ANGULAR DIMENSIONS					BEND DIRECTION	
to 10	>10 to 50	>50 to 120	>120 to 400	>400	↖ ↗	BEND OUT
±1°	±0°30'	±0°20'	±0°10'	±0°5'	↙ ↘	BEND IN



Connector Pinouts



NOTES:
 1. THIS IS A PRO/ENGINEER PARAMETRIC DRAWING. ANY CHANGES MUST BE WITHIN PRO/INTRALINK.
 2. REMOVE ALL BURRS AND SHARP EDGES.

REV	BY	DATE	DESCRIPTION

Art.no.:	3102303		
Material:	-		
Thermoelectric unit 100 W TG-3102			
Designed:	A.Camilleri	23.11.2023	FIRST ANGLE PROJECTION
Drawn:	A.Camilleri	23.11.2023	SHEET SCALE
Checked:	-	Approved: -	1 of 1 0.300
60450			ISSUE SIZE
0.1			A2

60450	DRAWING	0.1	Work In Progress
TG3102-REDESIGN2015	ASSEM	0.16	Work In Progress
PRO/E_FILENAME	FILE TYPE	REV	RELEASE

