

UNLESS OTHERWISE SPECIFIED, DIMENSIONS ARE IN MM. DIMENSIONS W/O TOLERANCES ISO2768-mK AS FOLLOWS. SURFACES ISO1302. TOLERANCES ARE NOT CUMULATIVE.

LINEAR DIMENSIONS							
0.5 to 3	>3 to 6	>6 to 30	>30 to 120	>120 to 400	>400 to 1000	>1000 to 2000	>2000 to 4000
±0.1	±0.1	±0.2	±0.3	±0.5	±0.8	±1.2	±2

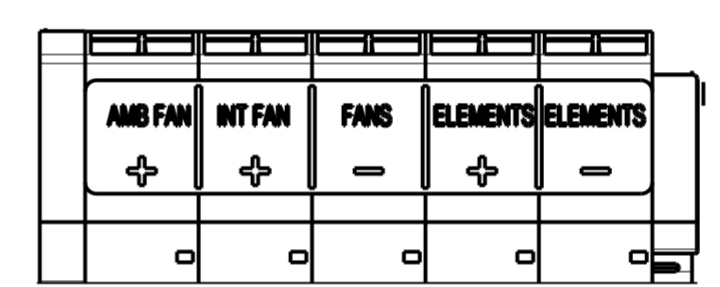
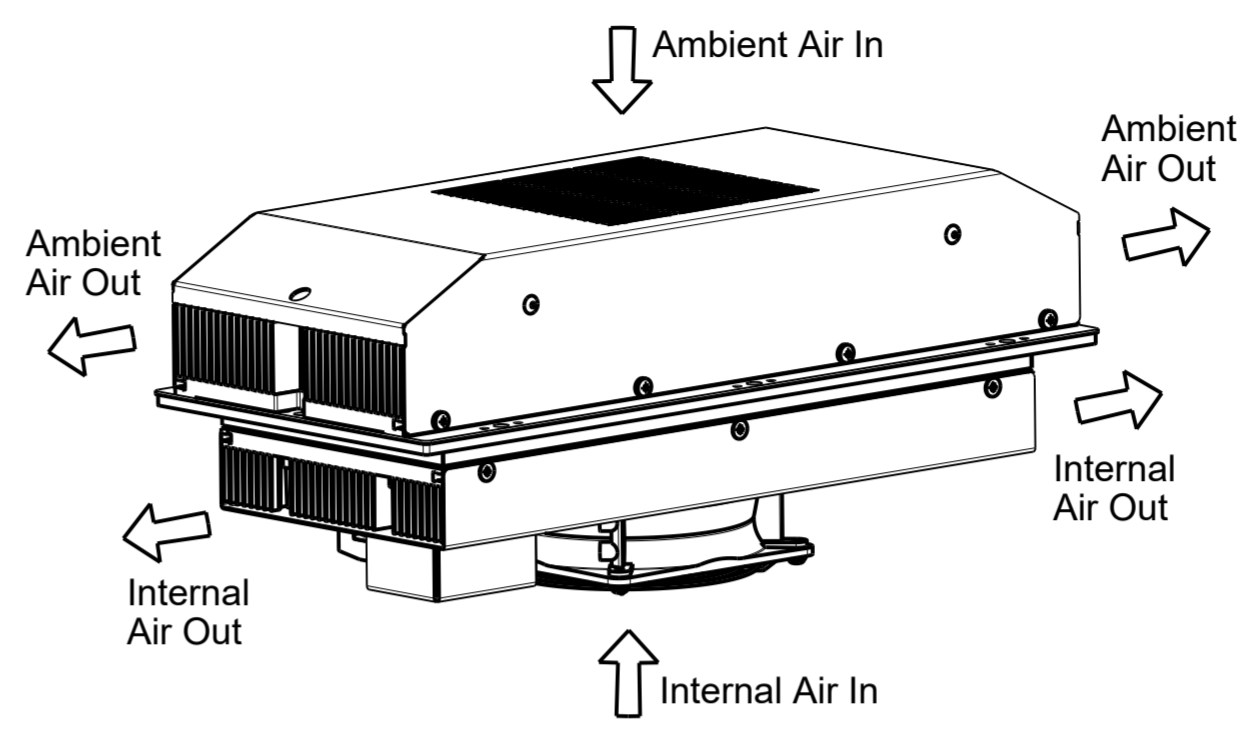
ANGULAR DIMENSIONS				BEND DIRECTION	
to 10	>10 to 50	>50 to 120	>120 to 400	>400	
±1°	±0°'30"	±0°'20"	±0°'10"	±0°'5"	

Article No	Description
3152303	TG-3152 150W/24VDC
3152305	TG-3152 150W/24VDC WITH DUCT
3152308	TG-3152 150W/48VDC
3152310	TG-3152 150W/48VDC WITH DUCT
3200303	TG-3200 200W/24VDC
3200305	TG-3200 200W/24VDC WITH DUCT
3200308	TG-3200 200W/48VDC
3200310	TG-3200 200W/48VDC WITH DUCT

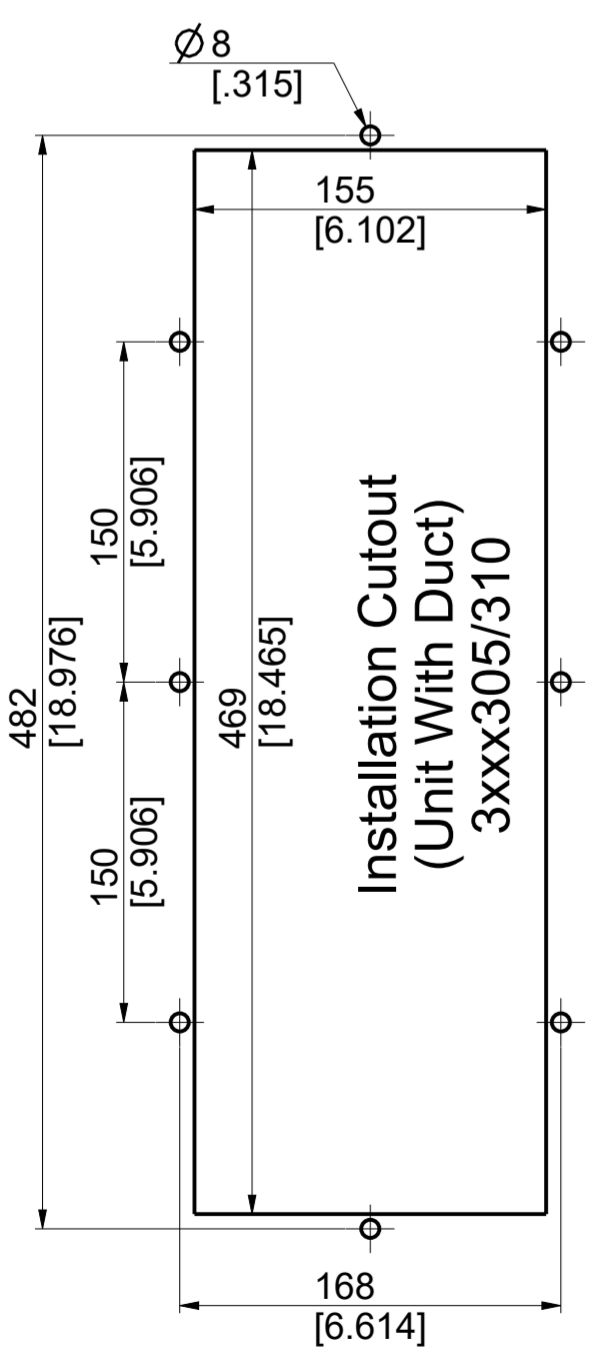
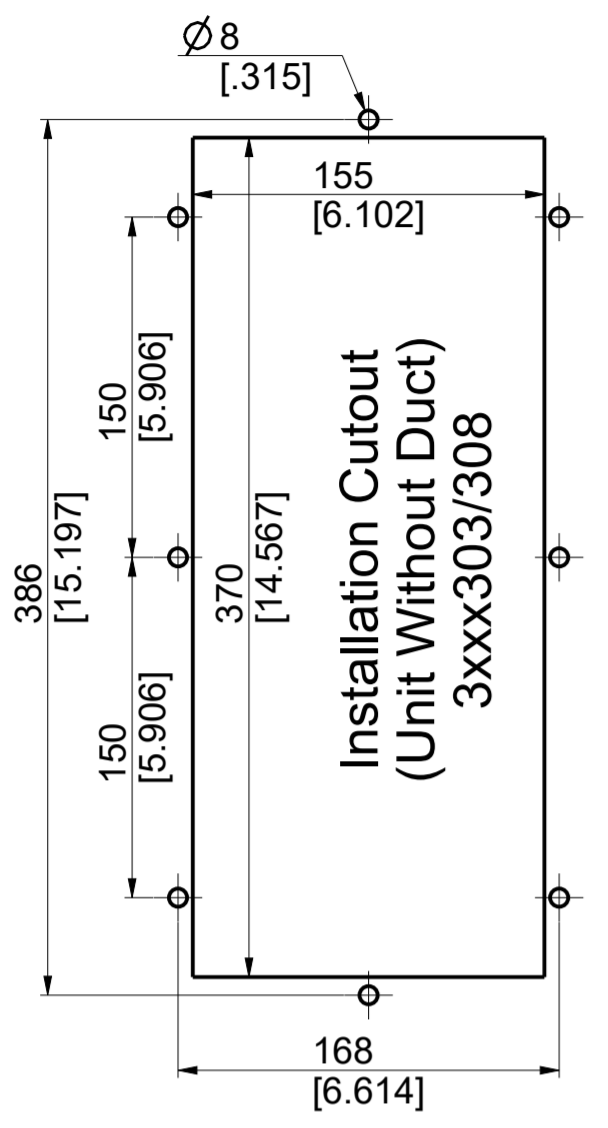
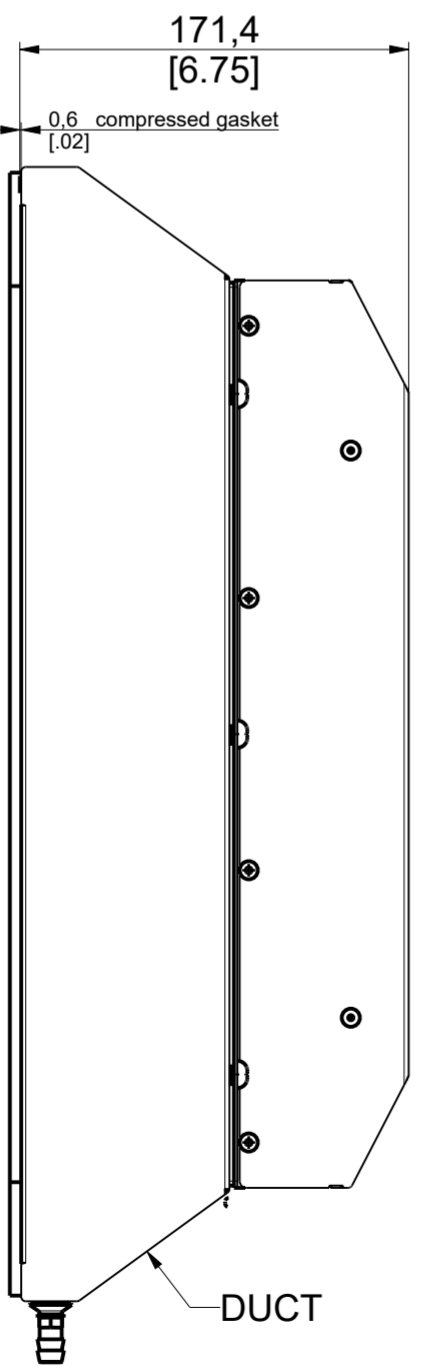
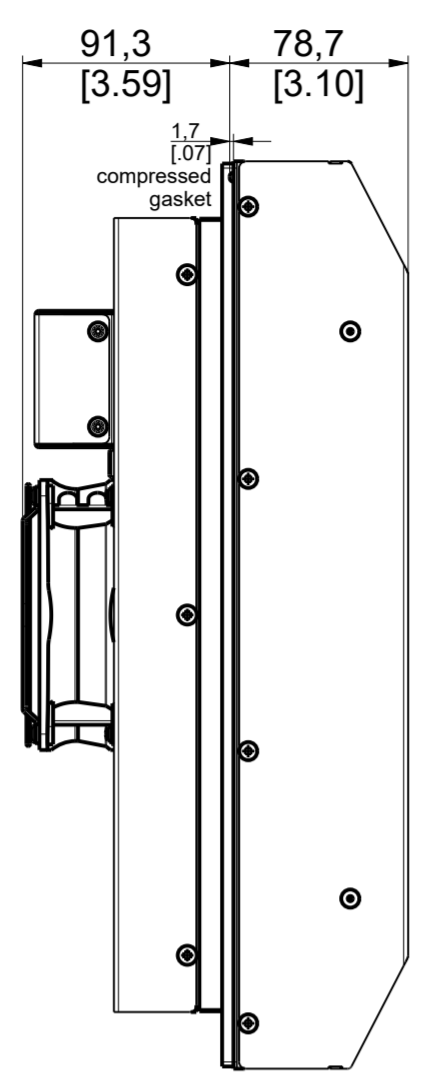
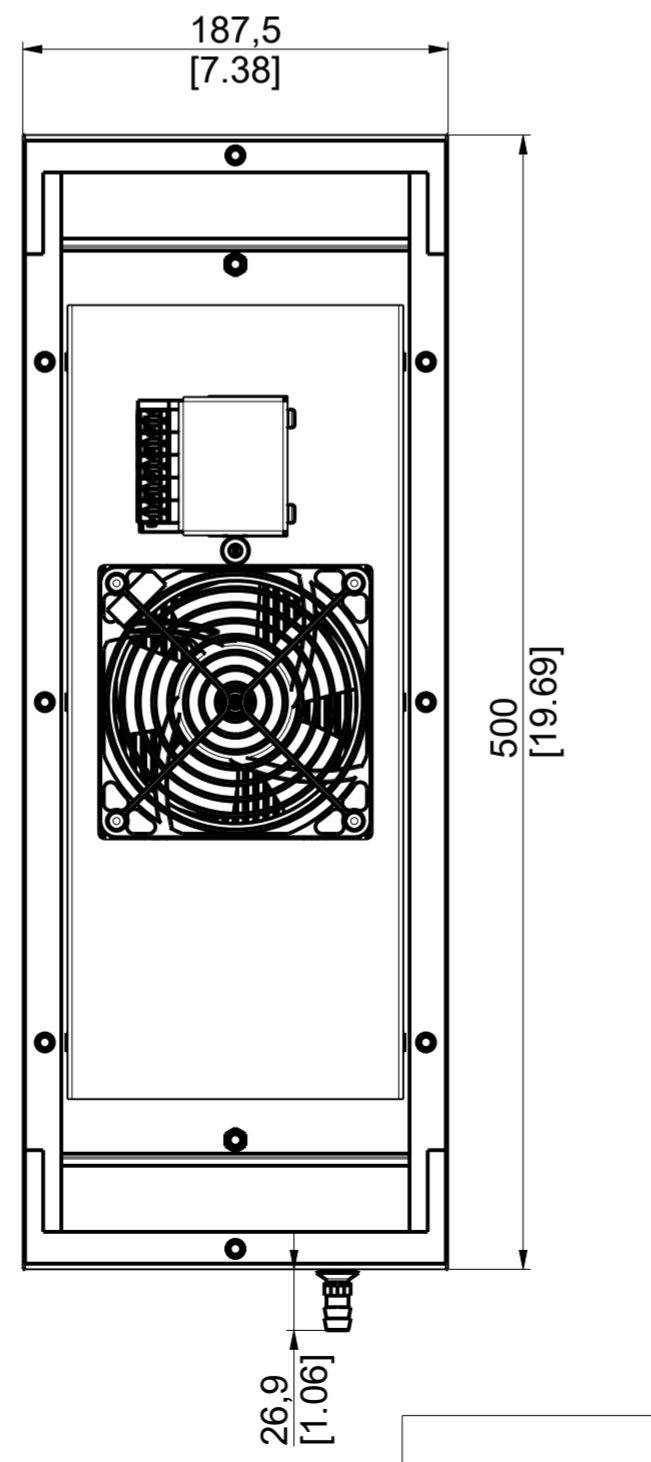
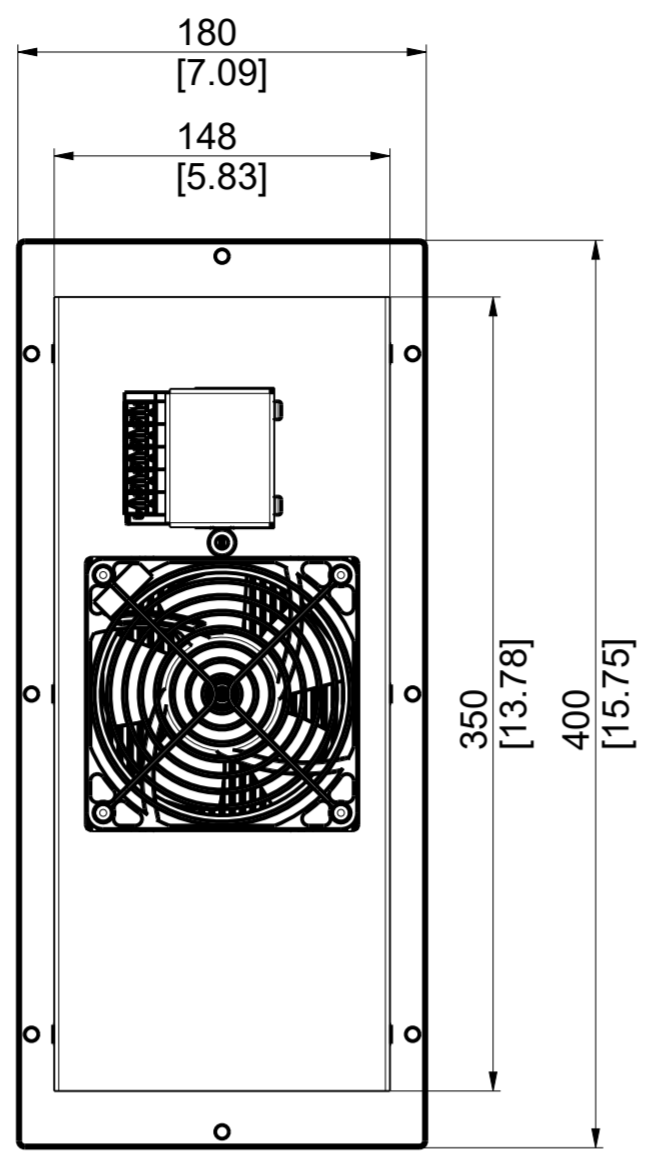
NOTES:  
 1. THIS IS A PRO/ENGINEER PARAMETRIC DRAWING. ANY CHANGES MUST BE WITHIN PRO/INTRALINK.  
 2. REMOVE ALL BURRS AND SHARP EDGES.

REV	BY	DATE	DESCRIPTION
1.18	A.C.	11.01.24	Changed connector / added drain (duct version)
1.17	A.C.	24.10.23	Modified ambient grille
1.16	A.C.	13.02.23	2A/3A: Changed dim leader positions

Art.no.:	3200305		
Material:	-		
150/200W 24/48VDC Thermoelectric Unit TG-3152 / TG-3200			
Designed:	A.Camilleri	14.08.2013	FIRST ANGLE PROJECTION
Drawn:	A.Camilleri	10.09.2013	SHEET SCALE
Checked:	-	Approved: -	1 of 1 0.300
19600			ISSUE SIZE
1.18			A2



Connector Pinouts



19600	DRAWING	1.18	Work In Progress
TG3200-DUCT-2023	ASSEM	1.65	Work In Progress
PRO/E_FILENAME	FILE TYPE	REV	RELEASE

