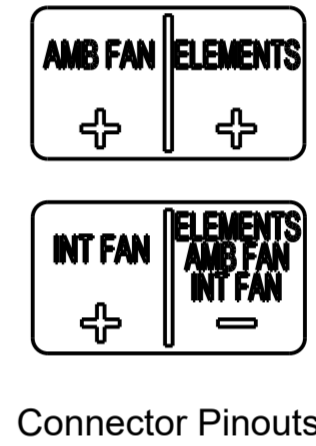


UNLESS OTHERWISE SPECIFIED, DIMENSIONS ARE IN MM. DIMENSIONS W/O TOLERANCES ISO2768-mK AS FOLLOWS. SURFACES ISO1302. TOLERANCES ARE NOT CUMULATIVE.

LINEAR DIMENSIONS							
0.5 to 3	>3 to 6	>6 to 30	>30 to 120	>120 to 400	>400 to 1000	>1000 to 2000	>2000 to 4000
±0.1	±0.1	±0.2	±0.3	±0.5	±0.8	±1.2	±2

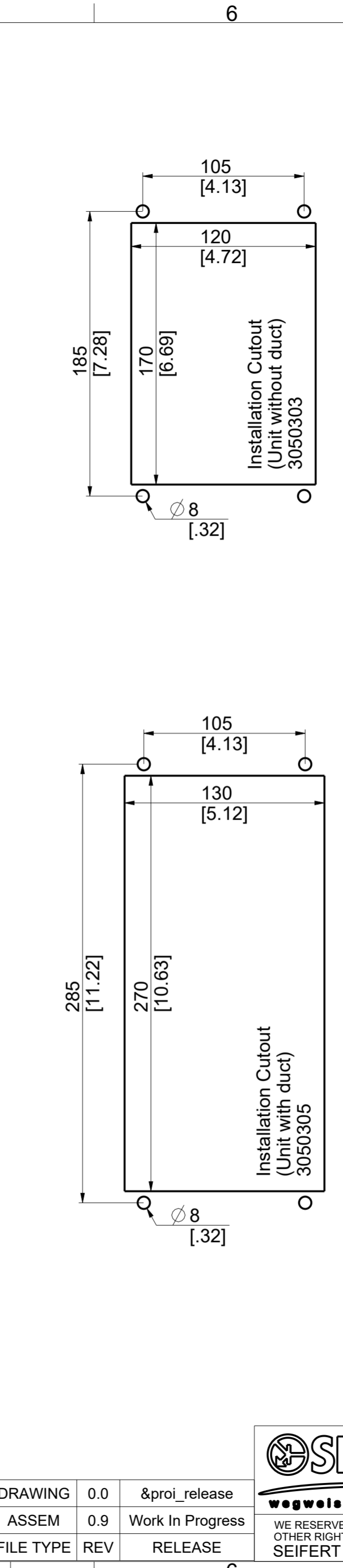
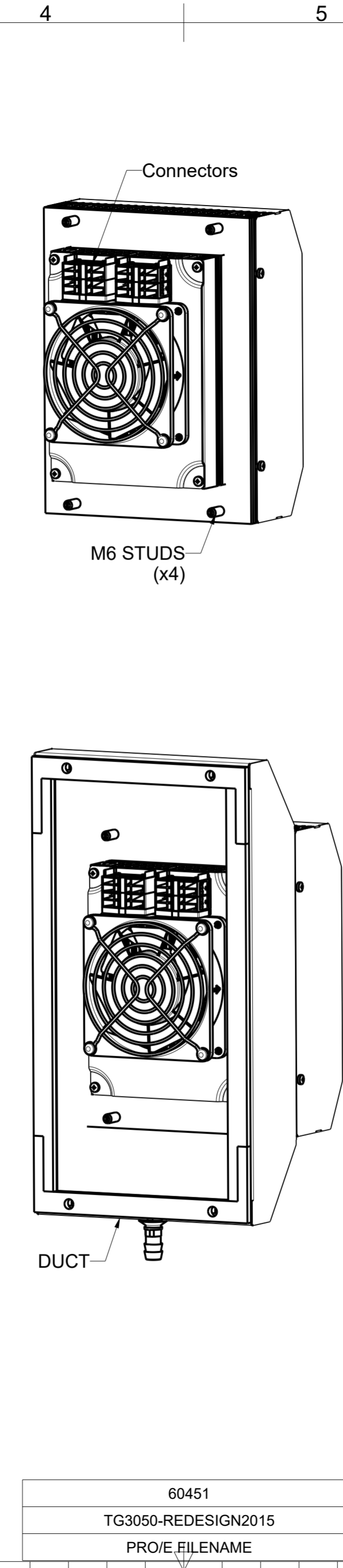
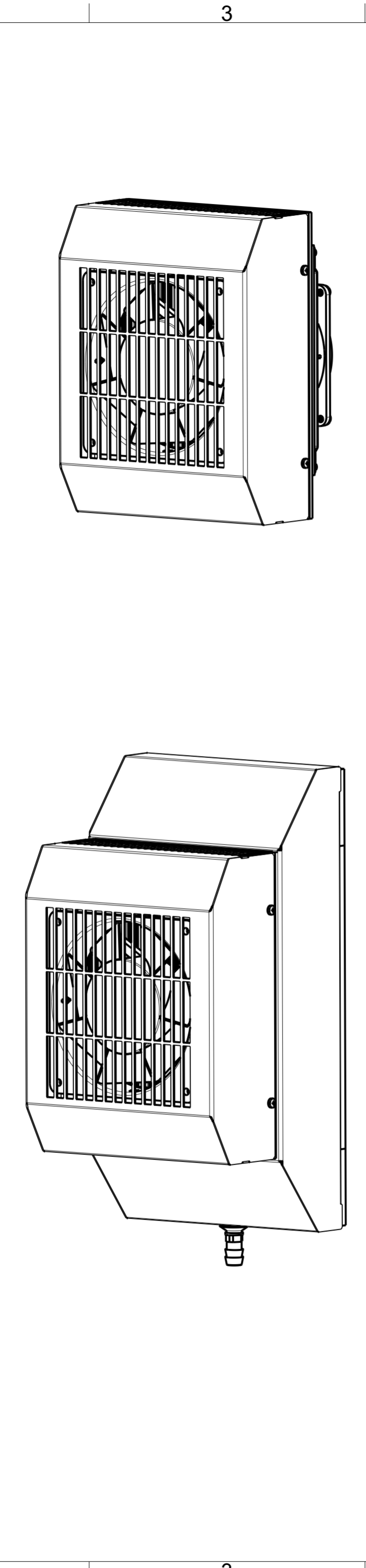
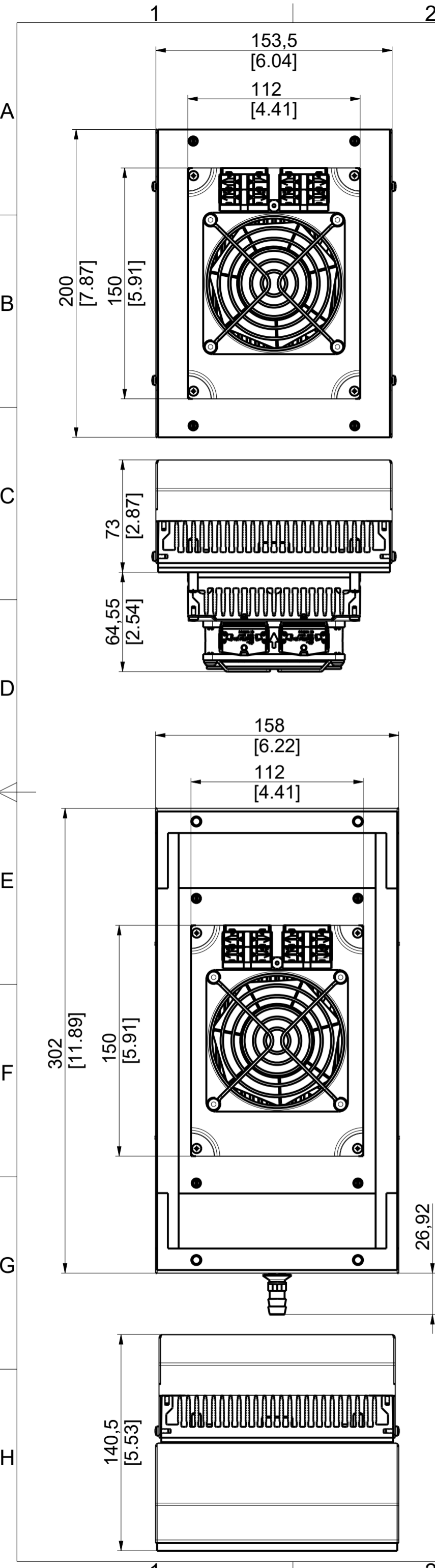
ANGULAR DIMENSIONS					BEND DIRECTION	
to 10	>10 to 50	>50 to 120	>120 to 400	>400	↗ ↖	BEND OUT
±1°	±0°'30"	±0°'20"	±0°'10"	±0°'5"	↘ ↙	BEND IN



- NOTES:
- THIS IS A PRO/ENGINEER PARAMETRIC DRAWING. ANY CHANGES MUST BE WITHIN PRO/INTRALINK.
 - REMOVE ALL BURRS AND SHARP EDGES.

REV	BY	DATE	DESCRIPTION

Art.no.:	3050303		
Material:	-		
50W Thermoelectric Unit TG-3050			
Designed:	A.Camilleri	12.01.2024	FIRST ANGLE PROJECTION
Drawn:	A.Camilleri	12.01.2024	SHEET SCALE
Checked:	-	Approved: -	1 of 1 0.400
60451			ISSUE SIZE
			0.0 A2



60451	DRAWING	0.0	&proi_release
TG3050-REDESIGN2015	ASSEM	0.9	Work In Progress
PRO/E_FILENAME	FILE TYPE	REV	RELEASE

