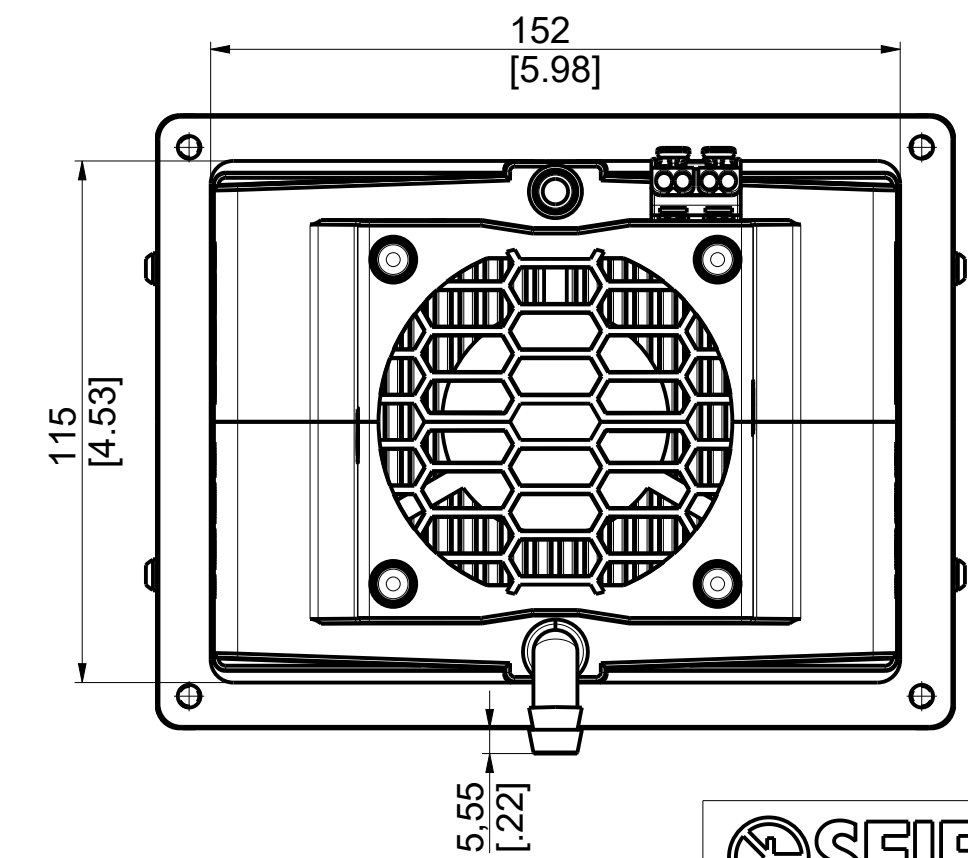
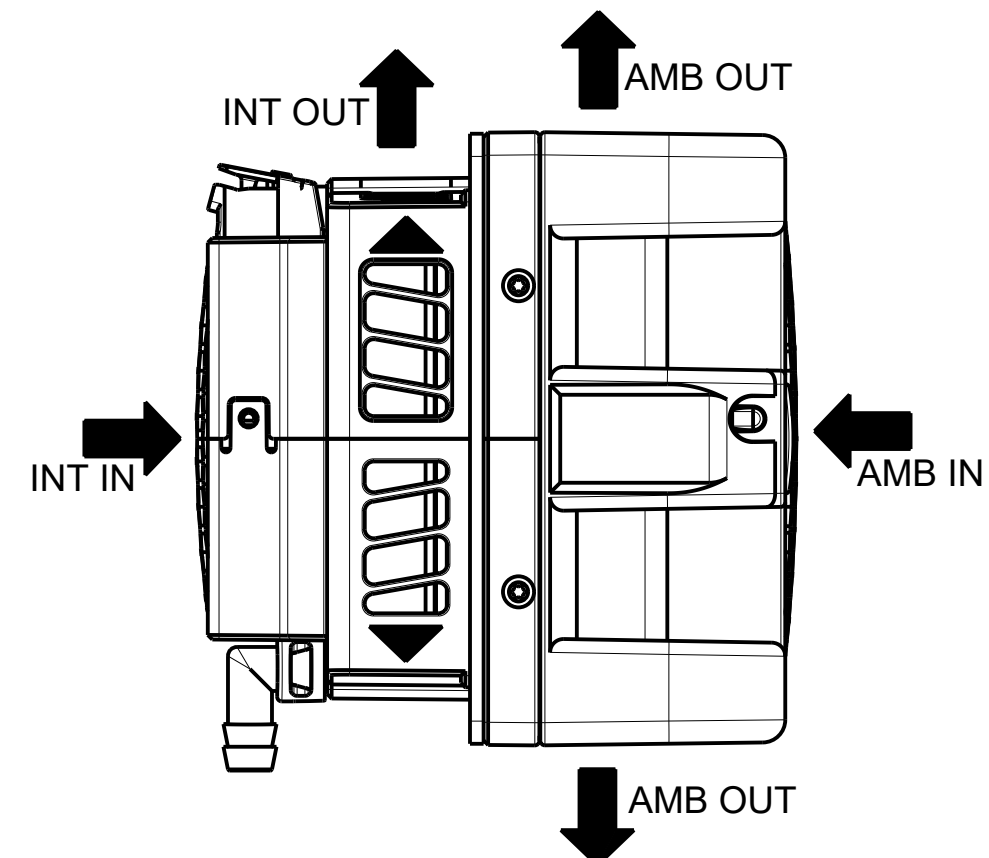
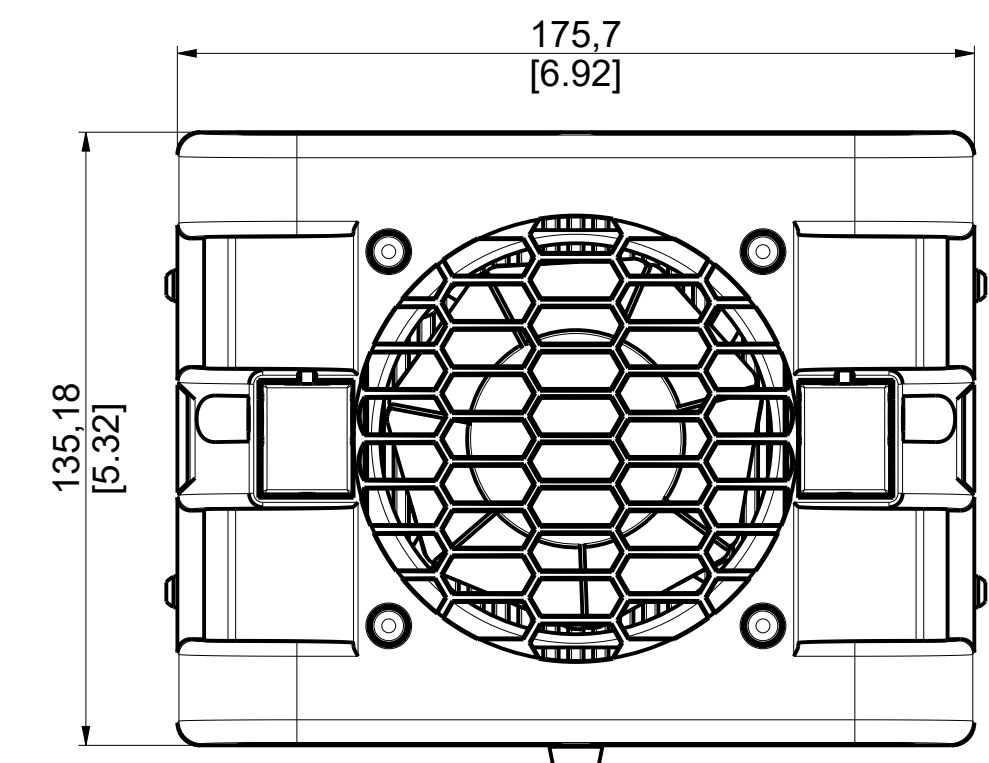
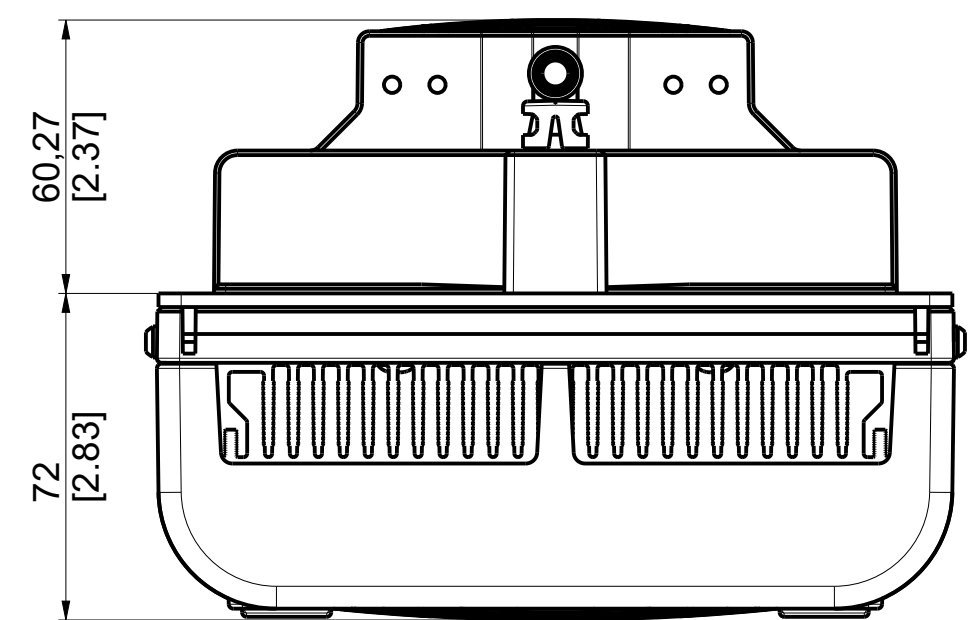
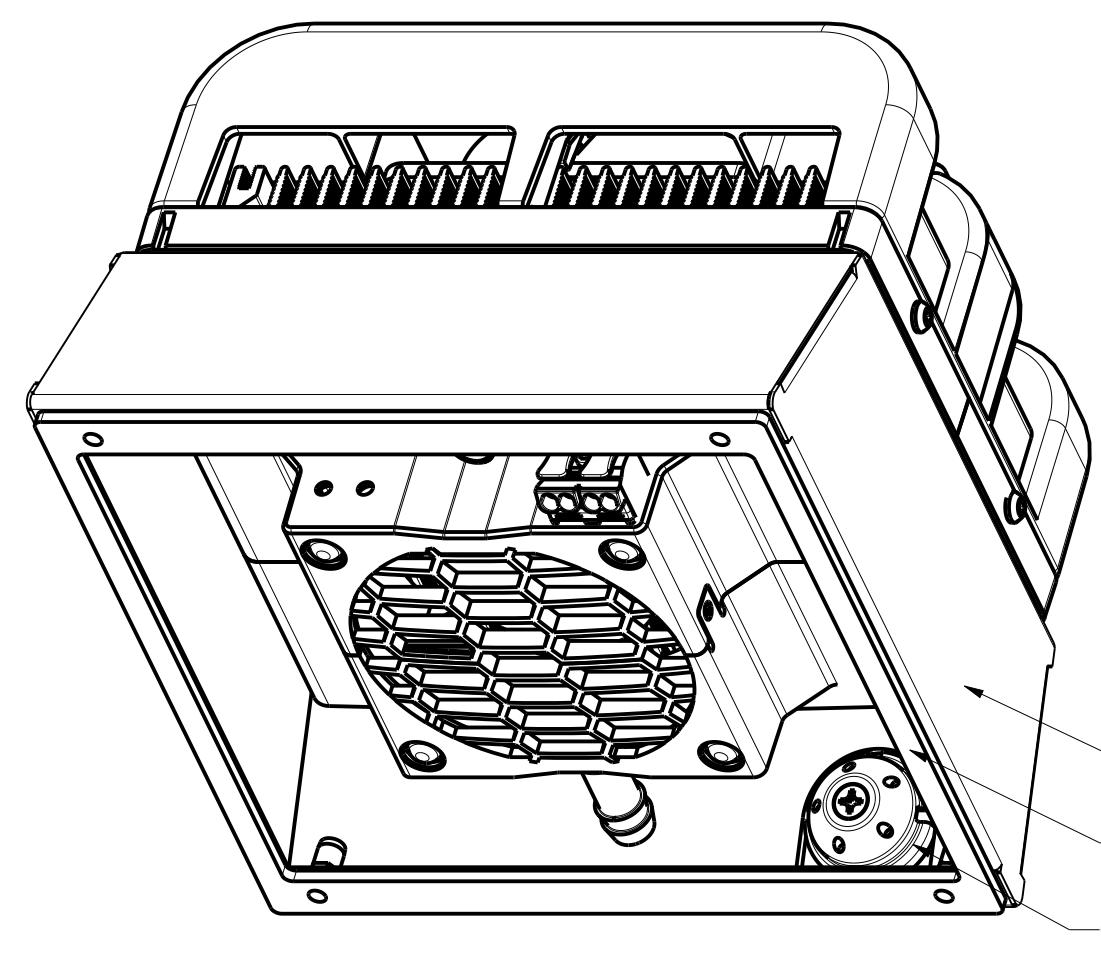
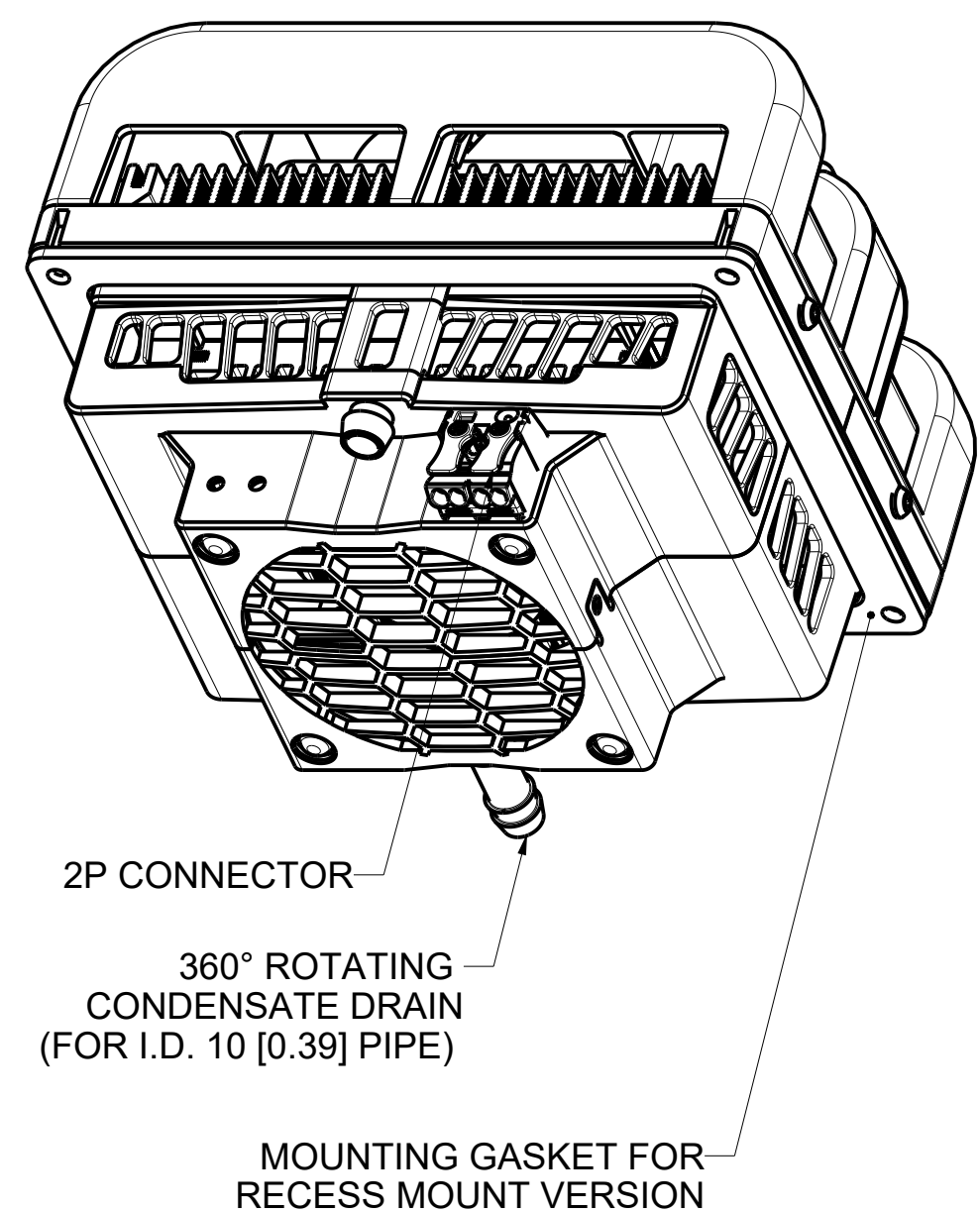
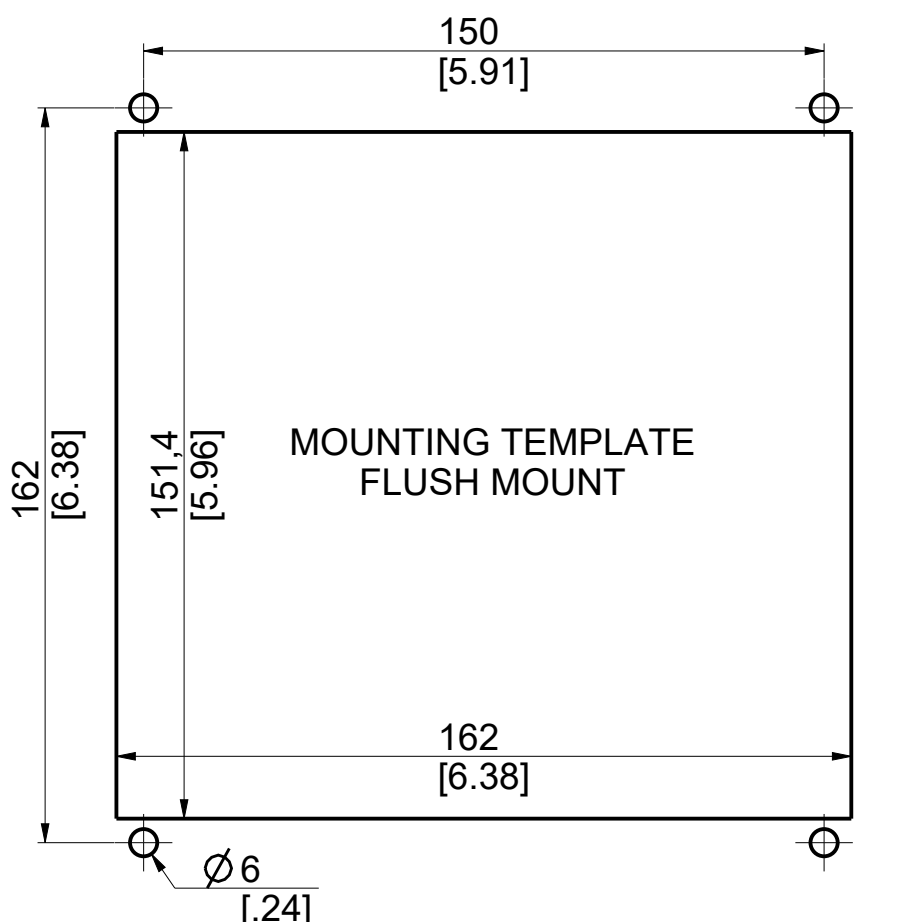
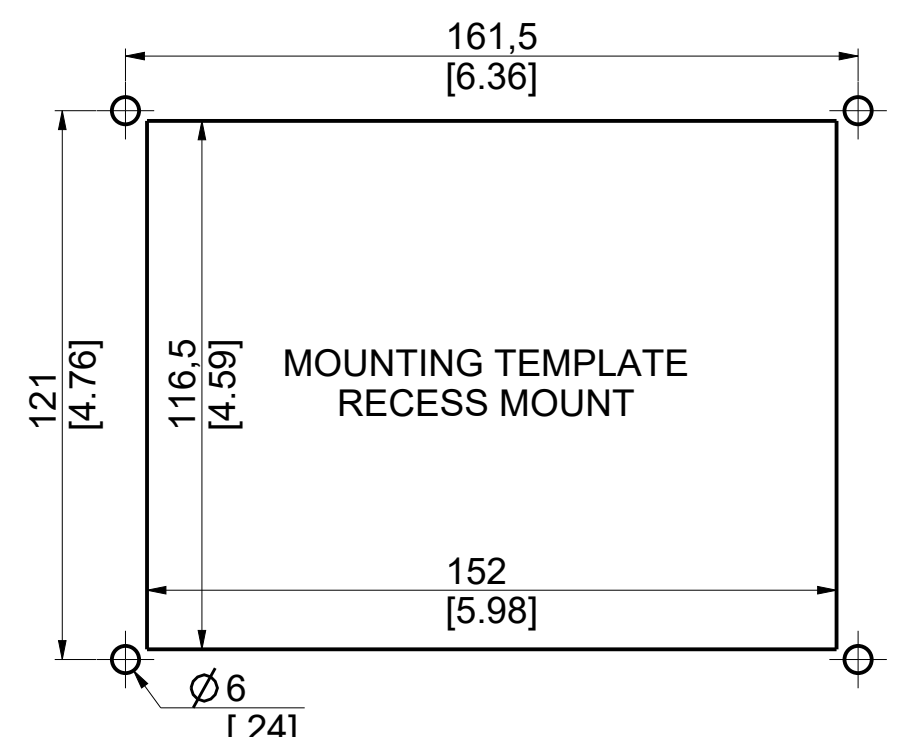


UNLESS OTHERWISE SPECIFIED, DIMENSIONS ARE IN MM. DIMENSIONS W/O TOLERANCES ISO2768-mK AS FOLLOWS. SURFACES ISO1302. TOLERANCES ARE NOT CUMULATIVE.

LINEAR DIMENSIONS							
0.5 to 3	>3 to 6	>6 to 30	>30 to 120	>120 to 400	>400 to 1000	>1000 to 2000	>2000 to 4000
±0.1	±0.1	±0.2	±0.3	±0.5	±0.8	±1.2	±2
ANGULAR DIMENSIONS					BEND DIRECTION		
to 10	>10 to 50	>50 to 120	>120 to 400	>400	↙ ↘ ↗ ↖	BEND OUT	
±1°	±0°'30"	±0°'20"	±0°'10"	±0°'5"		BEND IN	

RECESS MOUNT

FLUSH MOUNT



- NOTES:
- THIS IS A PRO/ENGINEER PARAMETRIC DRAWING. ANY CHANGES MUST BE WITHIN PRO/INTRALINK.
 - VOLTAGE: 24 VDC
POWER CONSUMPTION (L35L35): 50 W
CONDENSATION (30°C/80%r.H.): 23 ml/hr [0.78 oz/hr]
 - PART NUMBERS:
3039303 - RECESS MOUNT
3039305 - FLUSH MOUNT
3039307 - DIN OR FLOOR MOUNT
3039309 - RECESS MOUNT (WITH PUMP)
3039311 - DIN OR FLOOR MOUNT (WITH PUMP)

REV	BY	DATE	DESCRIPTION

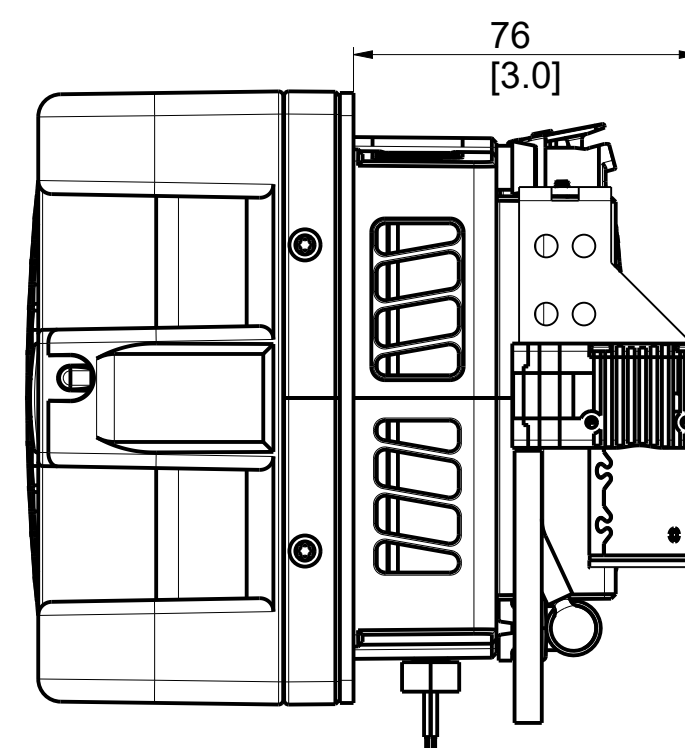
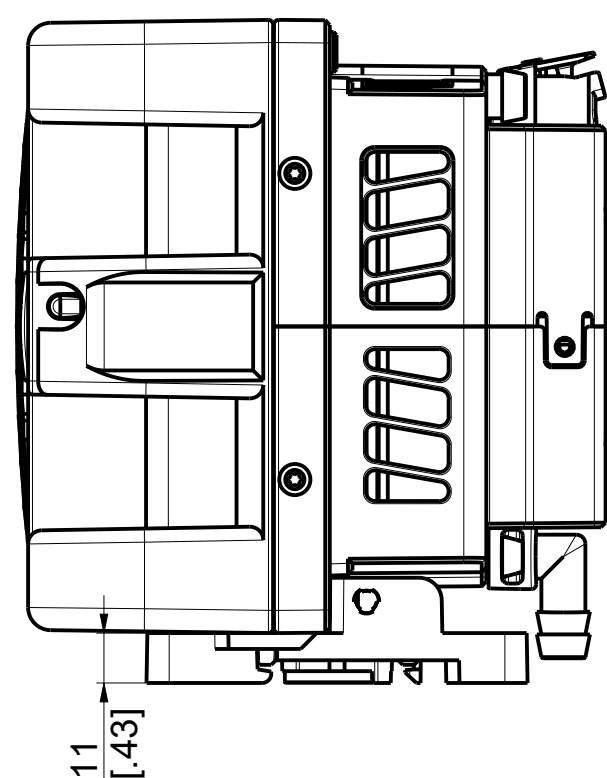
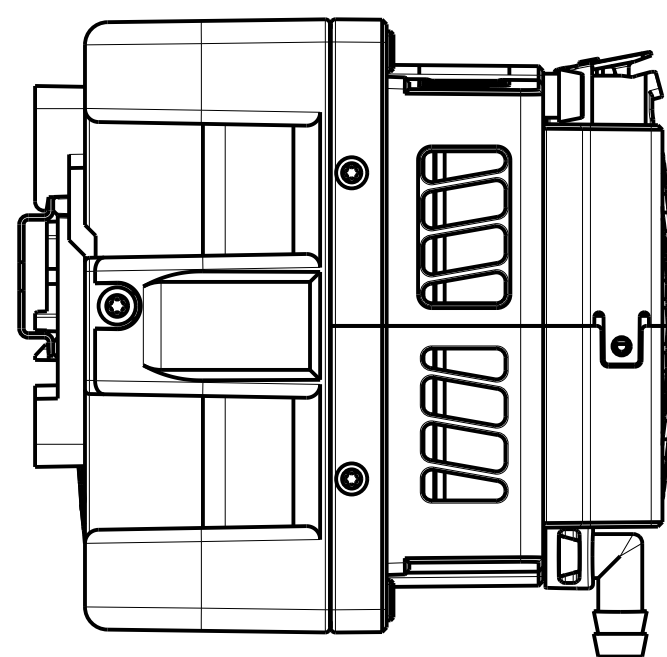
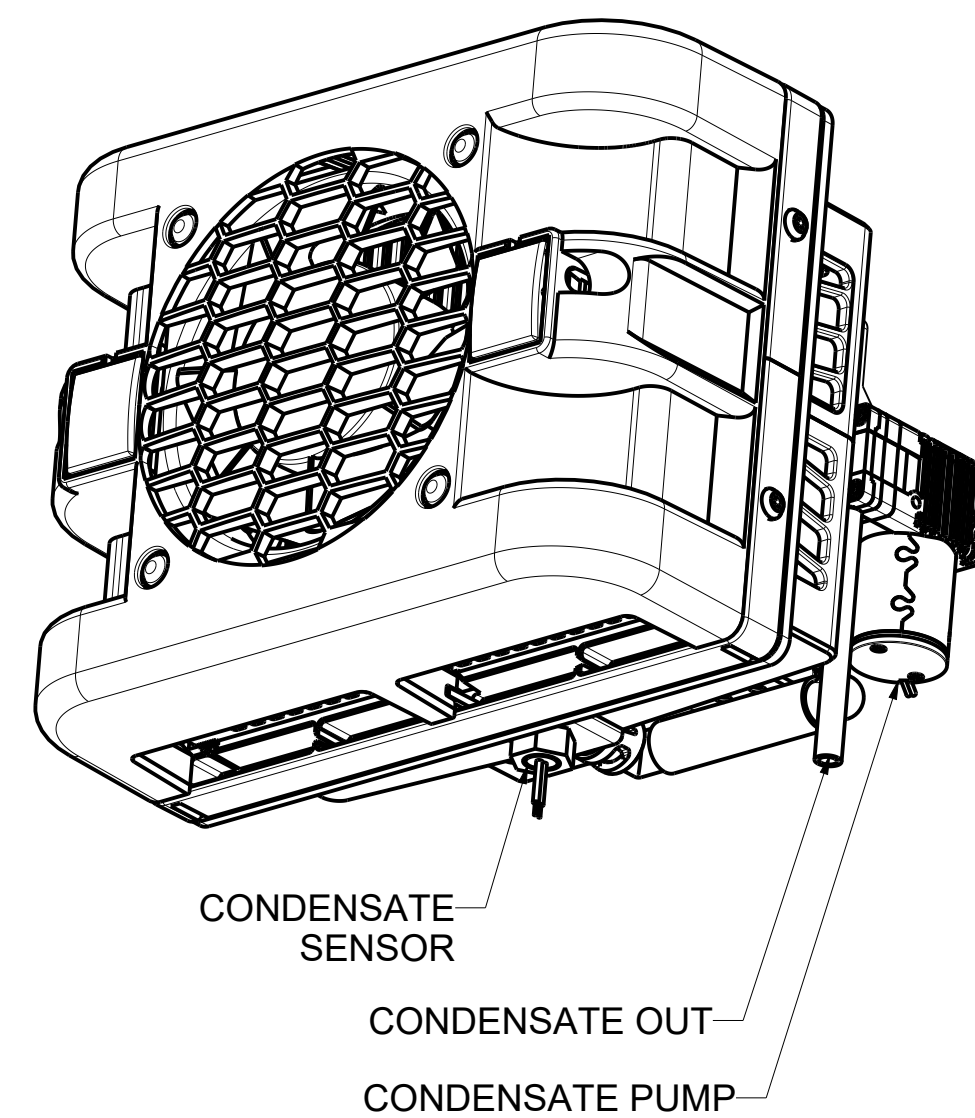
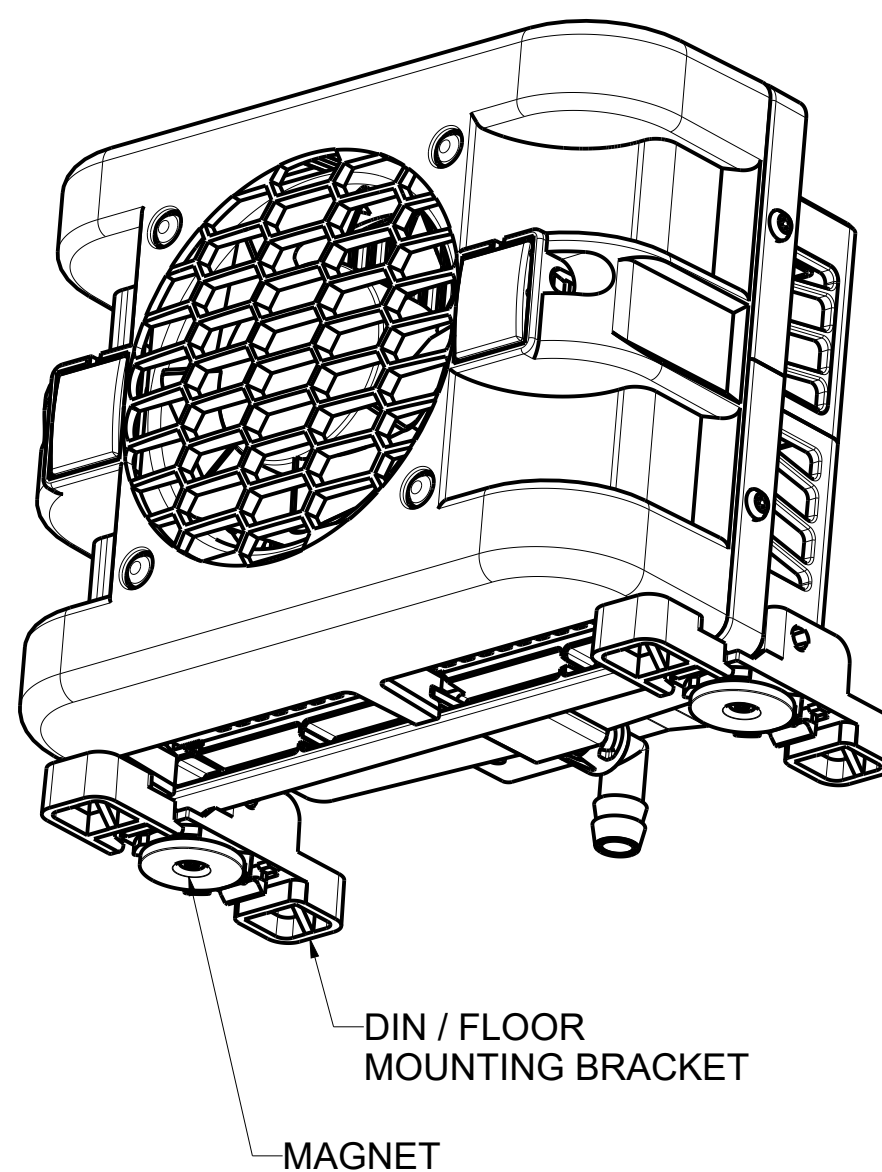
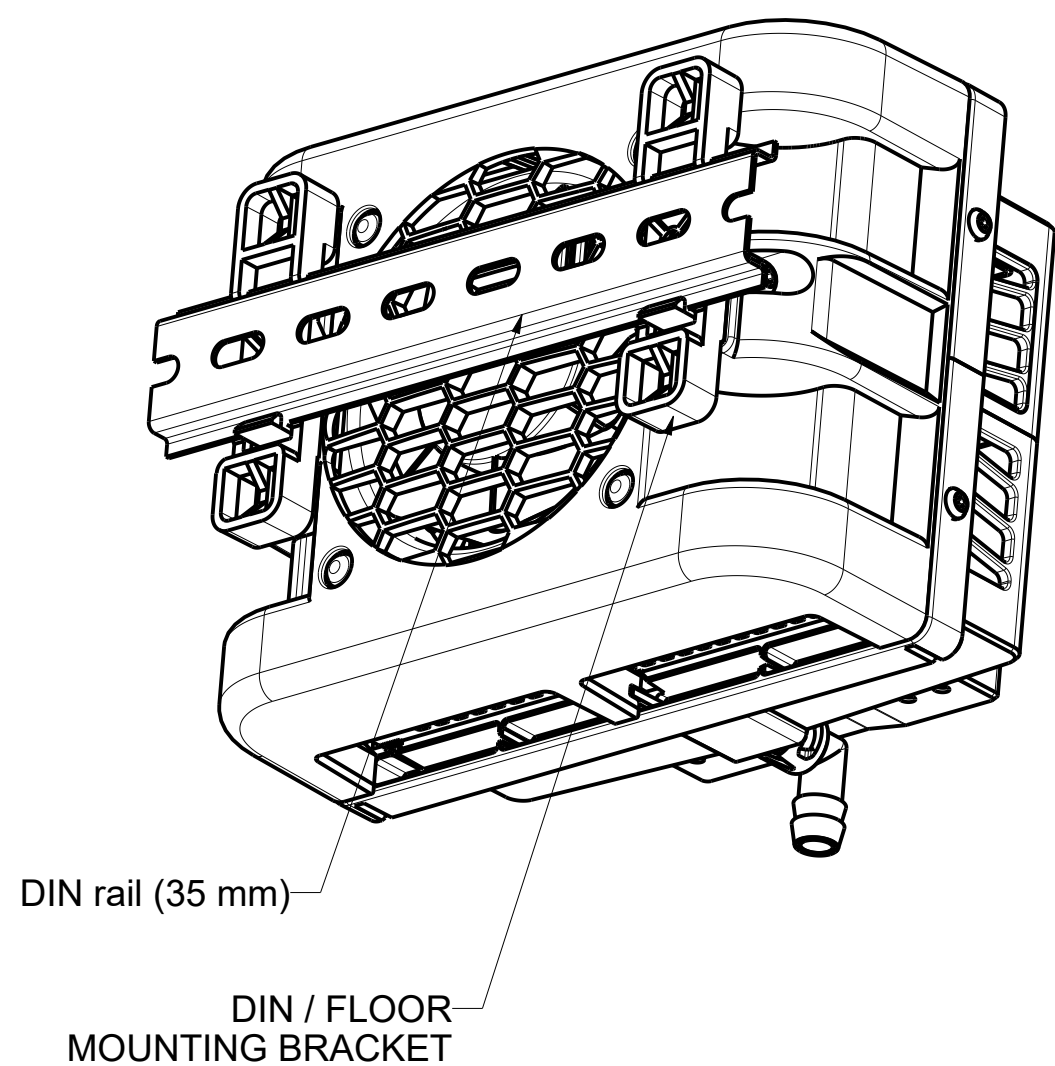
Art.no.:	30393XX		
Material:	>PA66 GF-35<		
Peltier Dehumidifier TG-3039			
Designed:	A. Camilleri	15.12.2020	FIRST ANGLE PROJECTION
Drawn:	A. Camilleri	15.12.2020	SHEET SCALE
Checked:	-	Approved: -	1 of 2 0.600
47855			ISSUE SIZE
0.8			A2

47855	DRAWING	0.8	Work In Progress
TG3039	ASSEM	0.26	Work In Progress
PRO/E_FILENAME	FILE TYPE	REV	RELEASE

DIN RAIL MOUNT

FLOOR MOUNT

CONDENSATE PUMP



Art.no.:	3039307		
Material:	>PA66 GF-35<		
Dehumidifier - wall mount			
TG-3039			
SHEET	SCALE	SIZE	FIRST ANGLE PROJECTION
2 of 2	0.600	A2	
47855			

47855	DRAWING	0.8	Work In Progress
TG3039-INTWALL	ASSEM	0.29	Work In Progress
PRO/E FILENAME	FILE TYPE	REV	RELEASE

