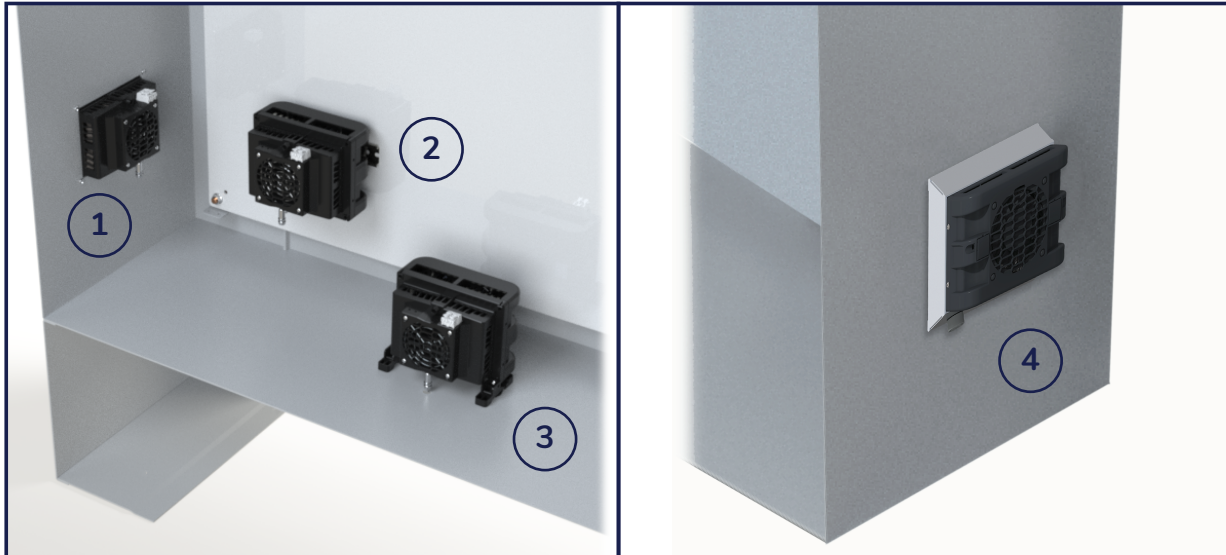


SOLITHERM PELTIER TG 3039 dehumidifier Installation guide

Different mounting options

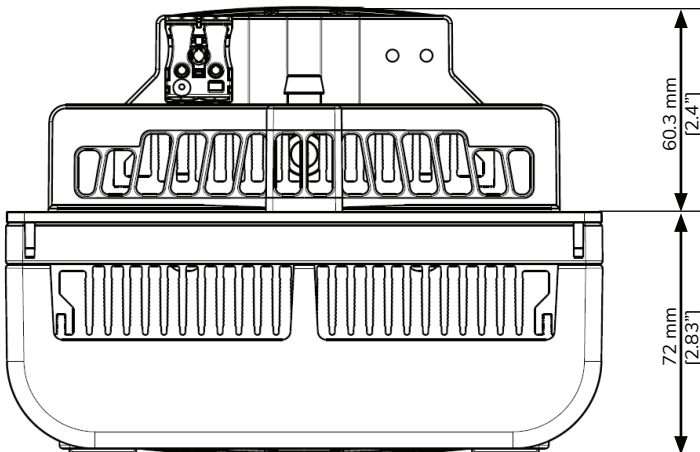
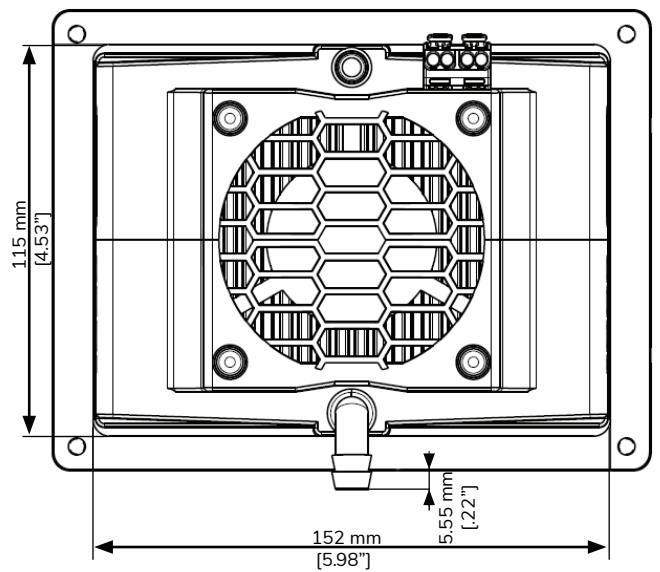
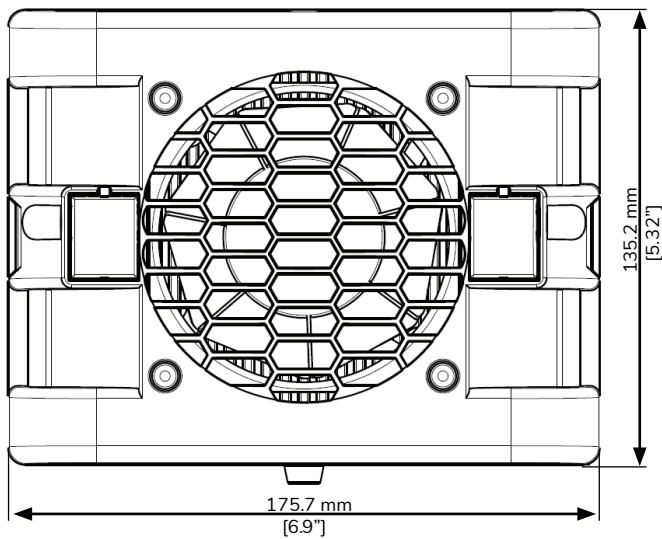
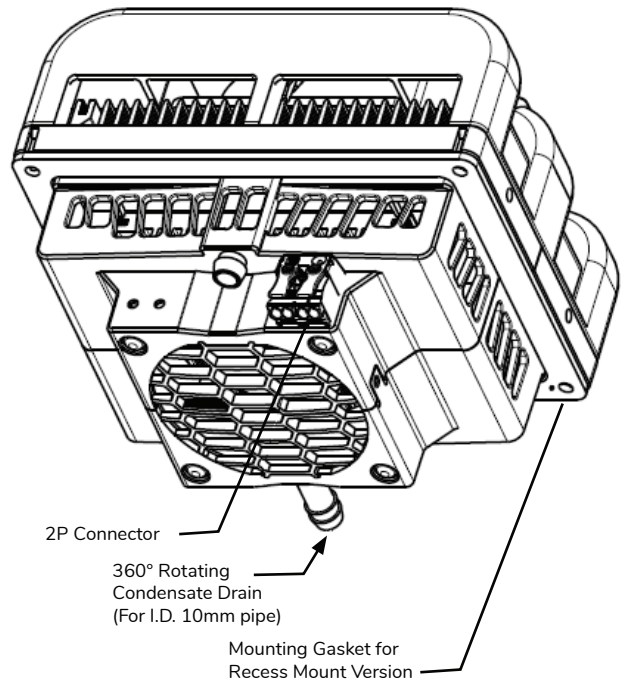
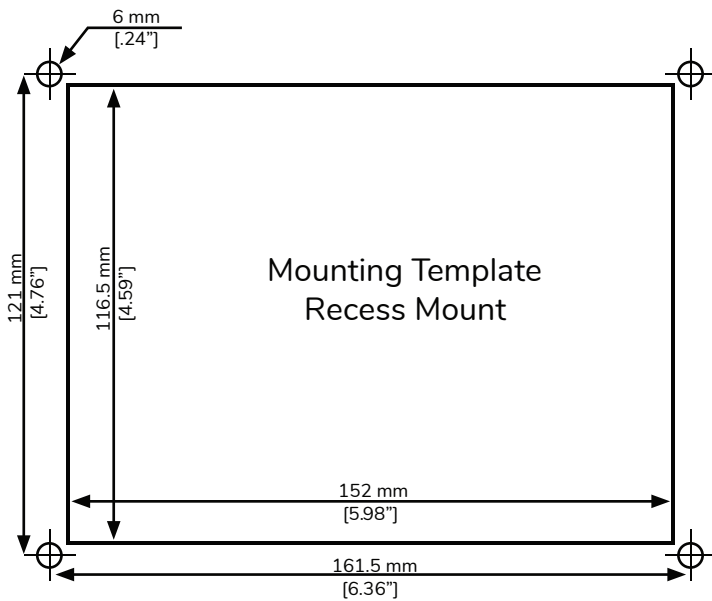


1. Recessed mounting.
2. DIN Rail mounting.
3. Floor mounting.
4. Wall mounting (with optional frame)

Technical Data

Cooling Rate (30°C / 80%rH)	25 ml/hr
Operating Temperature Range	0°C - 65°C
Mounting	Recessed, DIN rail, enclosure floor Wall mount with mounting frame
Dimensions A x B x C (D+E)	176 x 136 x (72+61) mm
A = Height B = Width C = Depth	
Weight	1.8 kg
Cut out dimensions	152 x 117.5 mm
Voltage / Frequency	24 V DC
Rated current	2.1 A
Starting current	3.1 A
Max. current	2.4 A
Power consumption	50 W
Max. power	58 W
Fuse	4 A (T)
Connection	Connection terminal block
Housing material	PC UL94V-0
Approvals	CE
Accessories	Mounting Frame. Order Number 1019305

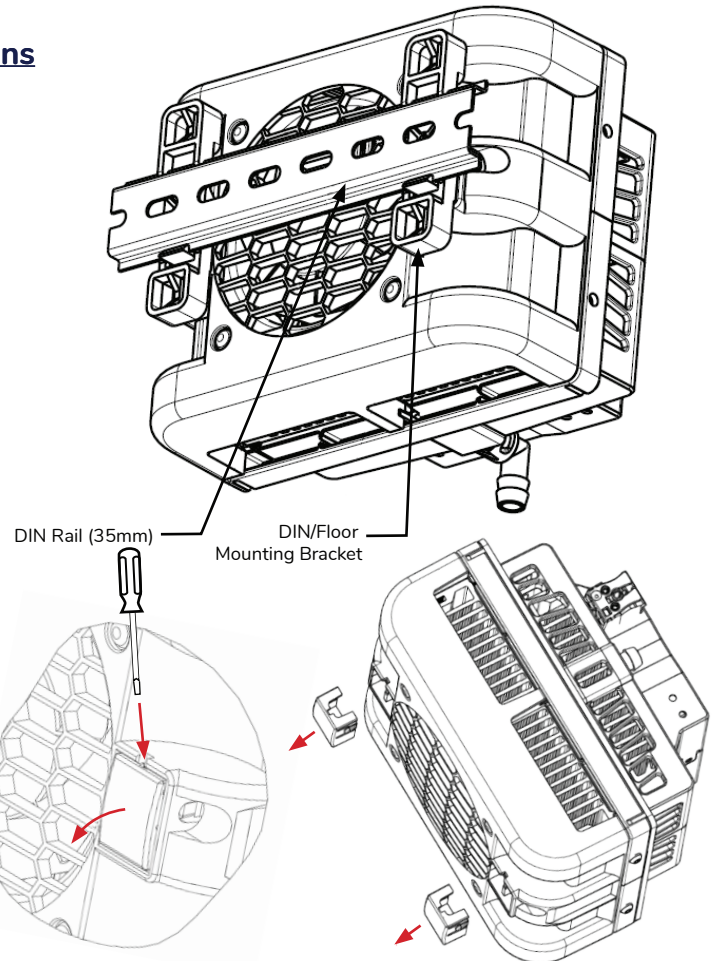
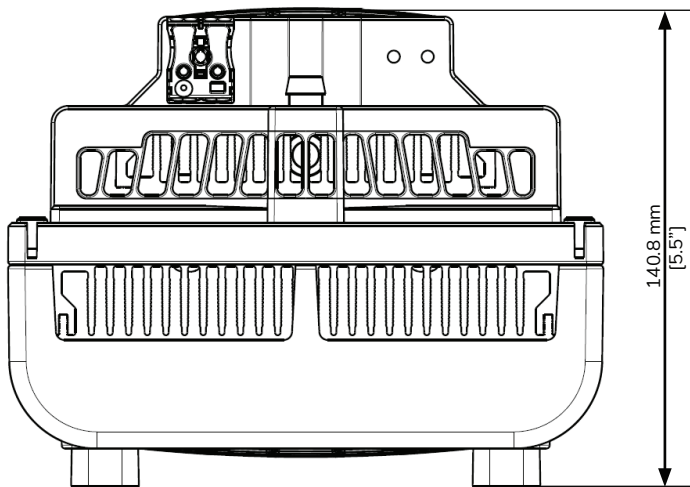
1. Recessed mounting installation and dimensions



Installation

The unit must be mounted to the wall of the enclosure using the provided (x4) 5x18 mm self-tapping screws for plastic:
TIGHTENING TORQUE: 0.8 Nm

2. DIN Rail mounting installation and dimensions

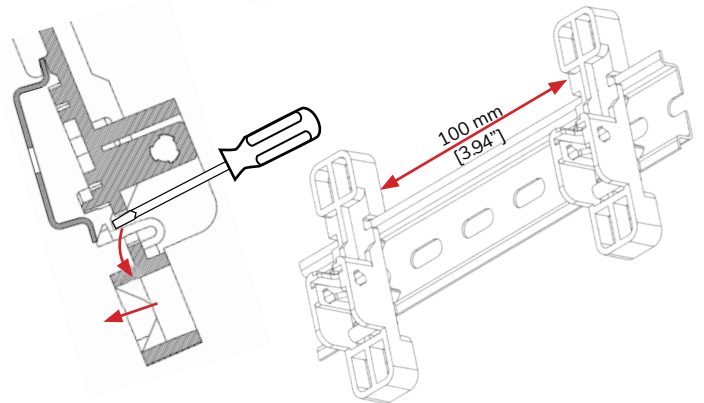


Step 1: Remove the 2 blanks using a screwdriver.

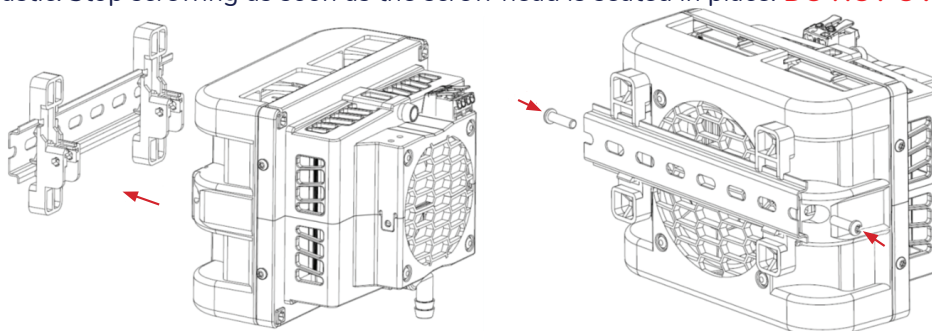
Step 2: Mount the brackets to the DIN rail approximately 100 mm apart.

Mounting can be facilitated by pushing the clip downwards and inwards using a screwdriver.

To remove the bracket from the DIN rail use a screwdriver to push the clip downwards and outwards



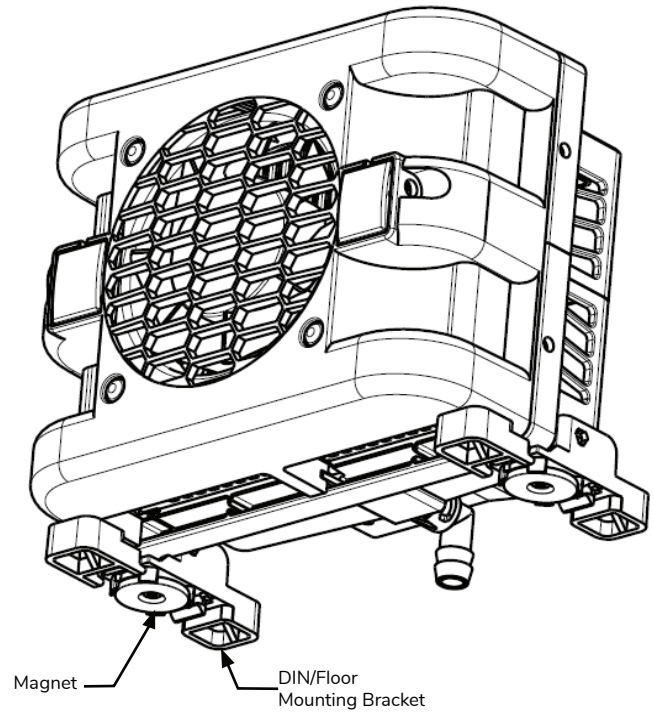
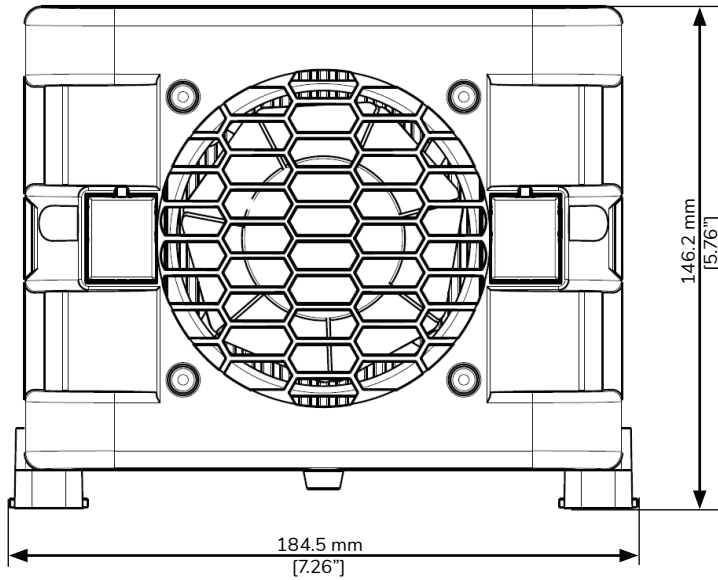
Step 3: Position the unit inside the brackets and secure each side using the provided (x2) 5x18 mm self-tapping screws for plastic. Stop screwing as soon as the screw head is seated in place. **DO NOT OVERTIGHTEN!**



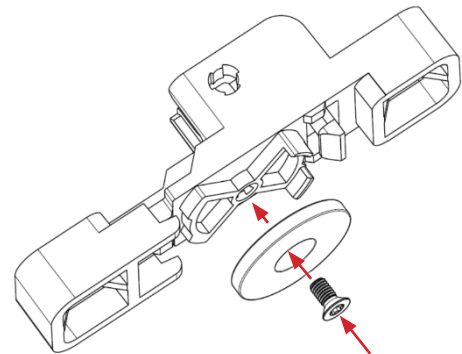
Removal

- Step 1: Unscrew the (x2) 5x18 mm screws from each side and remove the unit from the brackets.
- Step 2: Remove the brackets from the DIN rail by pressing with a screwdriver as shown in Step 2.

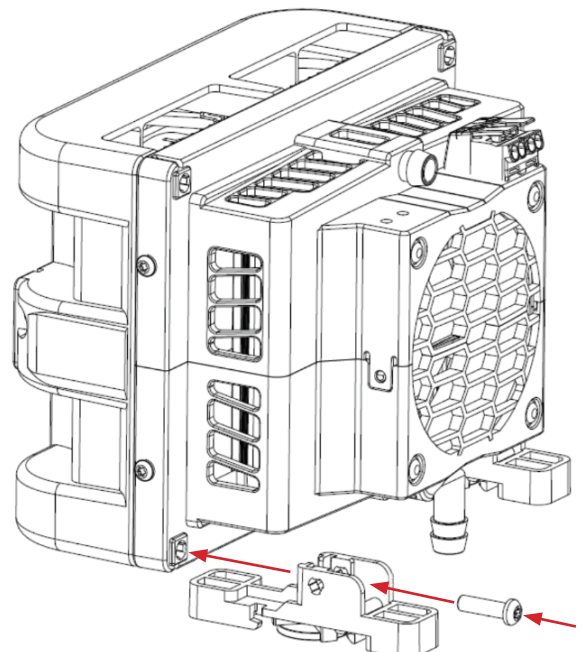
3. Floor mounting installation and dimensions



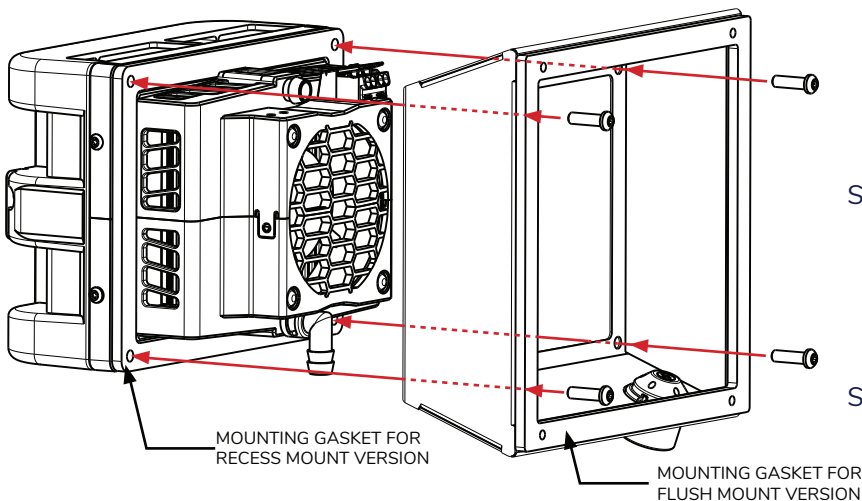
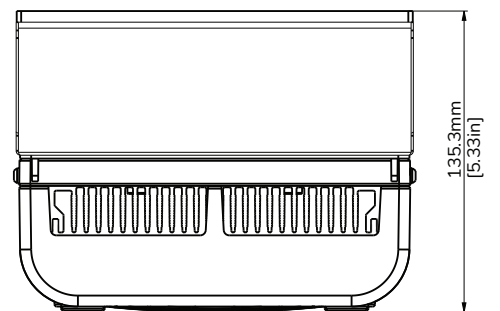
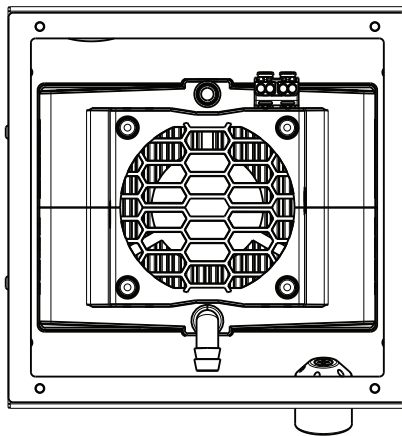
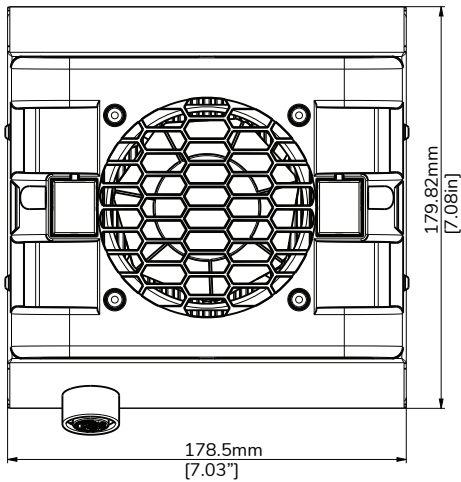
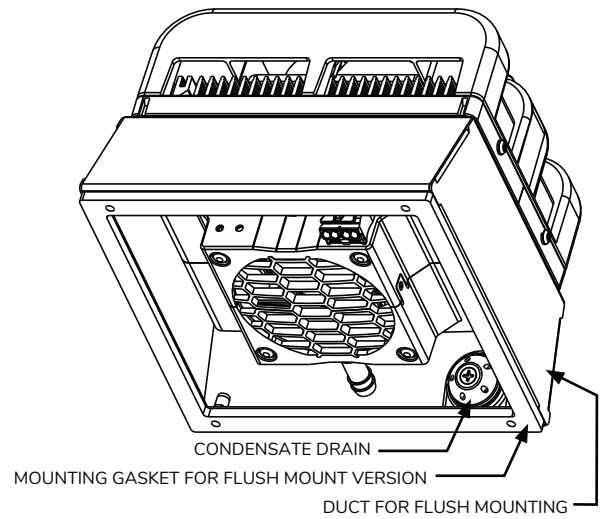
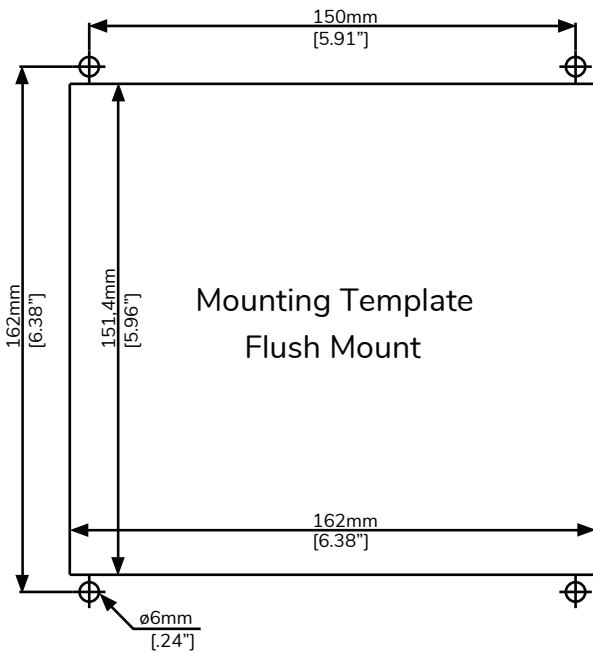
Step 1: Fix the magnets to the brackets using the provided (x2) 3x6 mm self-tapping countersink screws for plastic. Stop screwing as soon as the screw head is seated in place. **DO NOT OVERTIGHTEN!**



Step 2: Fix the brackets to the unit using the provided (x2) 5x18 mm self-tapping screws for plastic. TIGHTENING TORQUE: 0.8 Nm



4. Wall mounting (with optional frame)



Step 1 After ensuring that both the recess and flush mount gaskets are assembled, mount the duct (1019305) to the unit (3039303) using the provided (x4) 5x18 mm self-tapping screws for plastic. TIGHTENING TORQUE: 0.8 Nm

Step 2 Mount the unit to the wall of the enclosure using (x4) M4 screws. TIGHTENING TORQUE: 1.5 Nm

Mounting Instructions

Read this instruction sheet before installing the unit. Only specialized personnel are allowed to install, maintain and clean the unit.

Ensure that for the duration of the installation, maintenance and cleaning the unit is disconnected from the electrical supply.

Electrical Connection

Check the type plate before making any connections to the power supply to ensure that current and voltage ratings are met.