

49744 0.1 / 1 of 2

UNLESS OTHERWISE SPECIFIED, DIMENSIONS ARE IN MM. DIMENSIONS W/O TOLERANCES ISO2768-mK AS FOLLOWS. SURFACES ISO1302. TOLERANCES ARE NOT CUMULATIVE.

LINEAR DIMENSIONS							
0.5 to 3	>3 to 6	>6 to 30	>30 to 120	>120 to 400	>400 to 1000	>1000 to 2000	>2000 to 4000
±0.1	±0.1	±0.2	±0.3	±0.5	±0.8	±1.2	±2
ANGULAR DIMENSIONS				BEND DIRECTION			
to 10	>10 to 50	>50 to 120	>120 to 400	>400	↙	↑ BEND OUT	
±1°	±0°30'	±0°20'	±0°10'	±0°5'	↘	↓ BEND IN	

NOTES:

- THIS IS A CREO PARAMETRIC DRAWING. ANY CHANGES MUST BE WITHIN PDM LINK.
- REMOVE ALL BURRS AND SHARP EDGES.

REV	BY	DATE	DESCRIPTION
0.1	BG	16.01.24	D4: Updated display

Art.no.: M5930049744

Complete Unit
KG-9508-12-15

Designed:	-		
Drawn:	Brian Galea		
Date:	03/04/23		
Checked:	G.Zammit	Approved:	G.Zammit

SHEET 1 of 2
SCALE 0.100

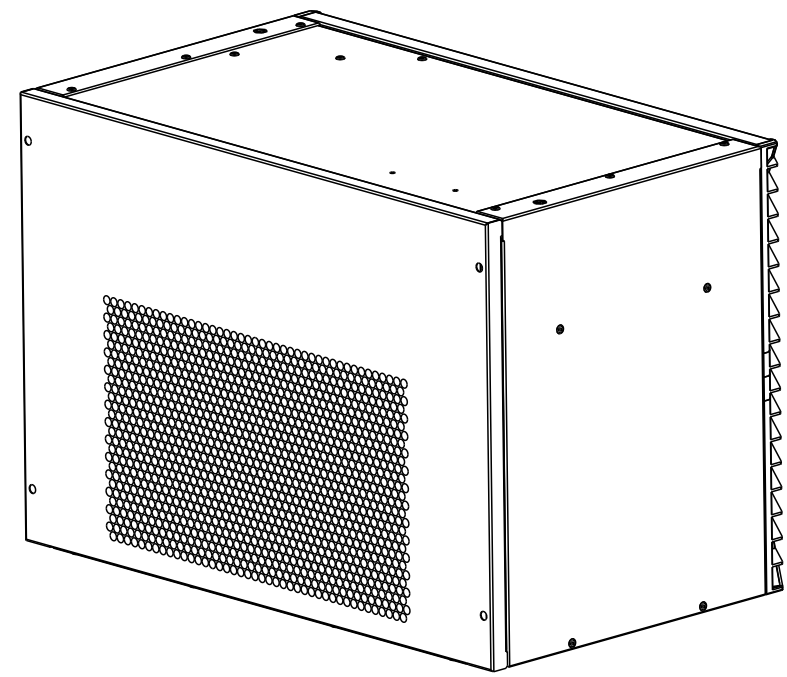
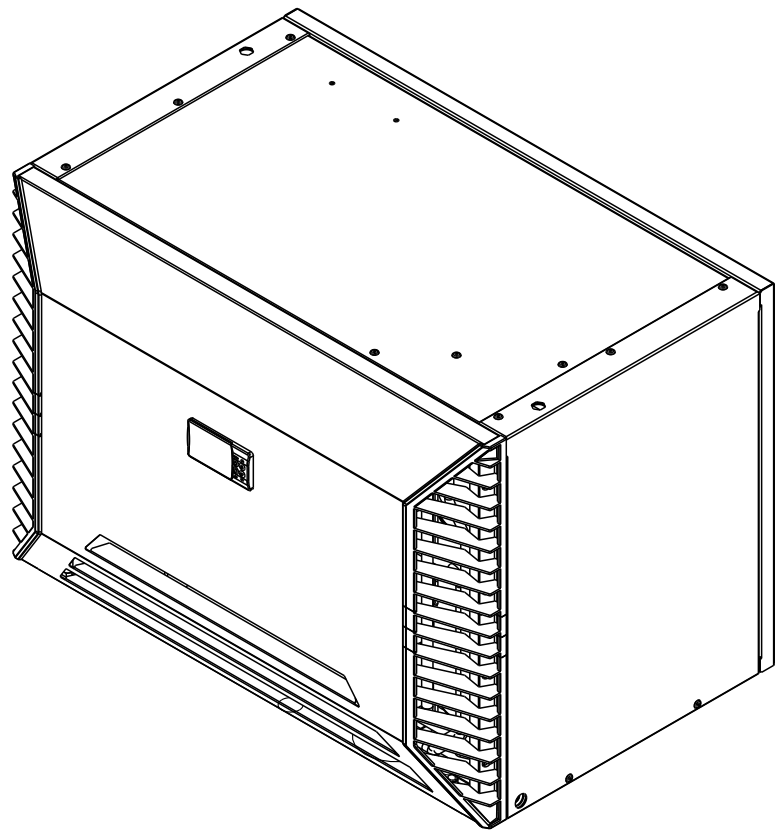
Drawing No.: 49744
ISSUE 0.1
SIZE A2

49744	DRAWING	0.1	Work In Progress
KG9515-COMPLETE	ASSEM	0.20	Work In Progress
CREO FILENAME	FILE TYPE	REV	RELEASE

FIRST ANGLE PROJECTION

wegweisend innovativ

WE RESERVE ALL COPYRIGHT AND OTHER RIGHTS IN THIS DOCUMENT SEIFERT SYSTEMS LTD.



49744	DRAWING	0.1	Work In Progress
KG9515-COMPLETE	ASSEM	0.20	Work In Progress
CREO FILENAME	FILE TYPE	REV	RELEASE

FIRST ANGLE PROJECTION 

SEIFERT

wegweisend innovativ

WE RESERVE ALL COPYRIGHT AND OTHER RIGHTS IN THIS DOCUMENT SEIFERT SYSTEMS LTD.

Art.no.:	M5930049744				
Complete Unit KG-9508-12-15					
Designed:	-				
Drawn:	Brian Galea				
Date:	03/04/23			SHEET	SCALE
Checked:	G.Zammit	Approved:	G.Zammit	2 of 2	0.150
Drawing No.:				ISSUE	SIZE
49744				0.1	A2

