

60457 0.0 / 1 of 2

UNLESS OTHERWISE SPECIFIED, DIMENSIONS ARE IN MM. DIMENSIONS W/O TOLERANCES ISO2768-mK AS FOLLOWS. SURFACES ISO1302. TOLERANCES ARE NOT CUMULATIVE.

LINEAR DIMENSIONS						
0.5 to 3	>3 to 6	>6 to 30	>30 to 120	>120 to 400	>400 to 1000	>1000 to 4000
±0.1	±0.1	±0.2	±0.3	±0.5	±0.8	±1.2 ±2

ANGULAR DIMENSIONS				BEND DIRECTION	
to 10	>10 to 50	>50 to 120	>120 to 400	>400	
±1°	±0°30'	±0°20'	±0°10'	±0°5'	↗ ↑ BEND OUT ↘ ↓ BEND IN

NOTES:

- THIS IS A CREO PARAMETRIC DRAWING. ANY CHANGES MUST BE WITHIN PMLINK.
- REMOVE ALL BURRS AND SHARP EDGES.

REV	BY	DATE	DESCRIPTION

Art.no.:	M5930060457		
	Complete Unit KG-9520-25		
Designed:	-		
Drawn:	Brian Galea		
Date:	16/01/24		SHEET 1 of 2
Checked:	G.Zammit	Approved:	G.Zammit
Drawing No.:		ISSUE	SCALE
60457		0.0	A2

60457	DRAWING	0.0	Work In Progress
KG9525-COMPLETE	ASSEM	1.3	Work In Progress
CREO FILENAME	FILE TYPE	REV	RELEASE

FIRST ANGLE PROJECTION

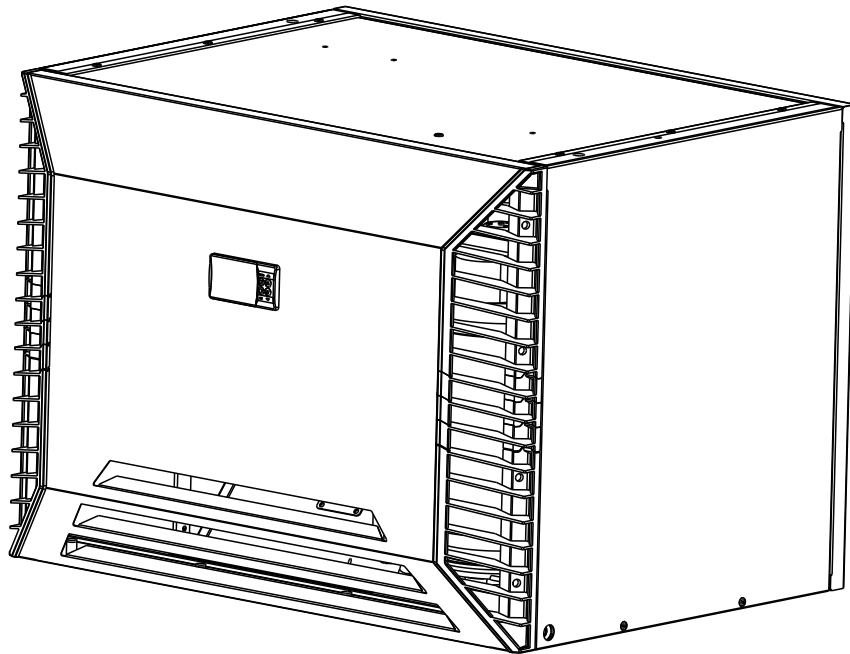
wegweisend innovativ

WE RESERVE ALL COPYRIGHT AND OTHER RIGHTS IN THIS DOCUMENT SEIFERT SYSTEMS LTD.

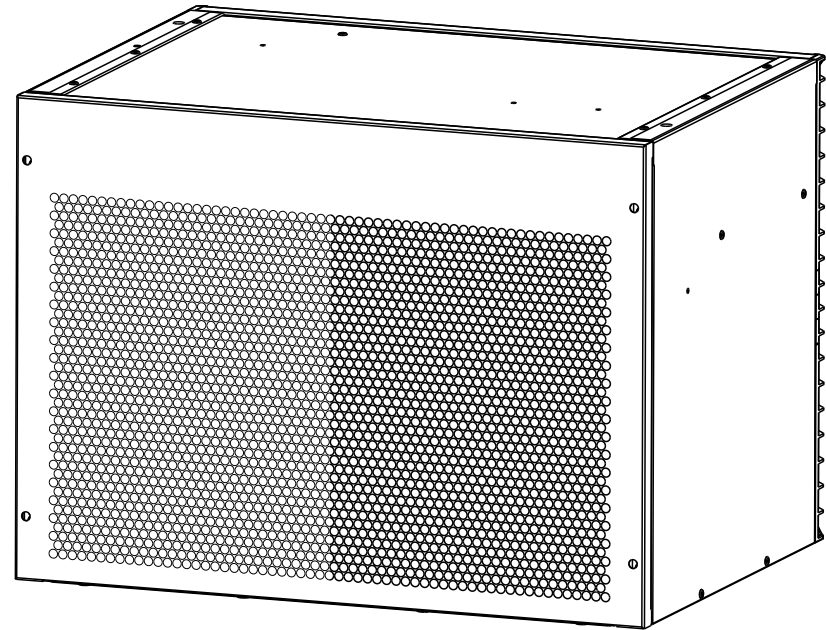
1 2 3 4 5 6 7 8

A
B
C
D
E
F
G
H

A
B
C
D
E
F
G
H



SCALE 0.150



SCALE 0.150

60457	DRAWING	0.0	Work In Progress
KG9525-COMPLETE	ASSEM	1.3	Work In Progress
CREO FILENAME	FILE TYPE	REV	RELEASE

FIRST ANGLE PROJECTION

SEIFERT
wegweisend innovativ

WE RESERVE ALL COPYRIGHT AND OTHER RIGHTS IN THIS DOCUMENT SEIFERT SYSTEMS LTD.

Art.No.:	M5930060457		
Complete Unit KG-9520-25			
Designed:	-		
Drawn:	Brian Galea		
Date:	16/01/24	SHEET	SCALE
Checked:	G.Zammit	Approved:	G.Zammit
Drawing No.:		2 of 2	0.100
60457		ISSUE	SIZE
		0.0	A2

1 2 3 4 5 6 7 8