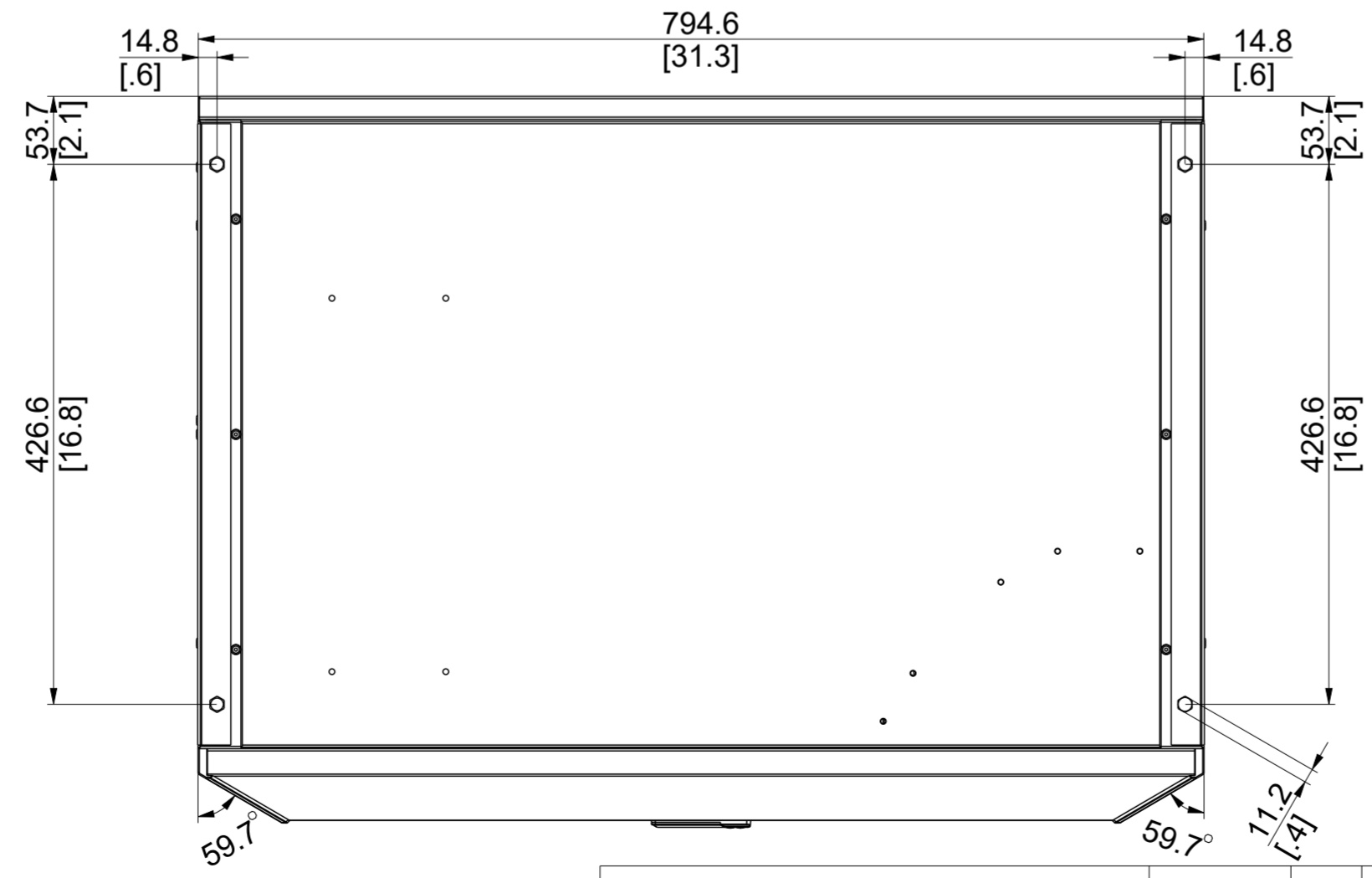
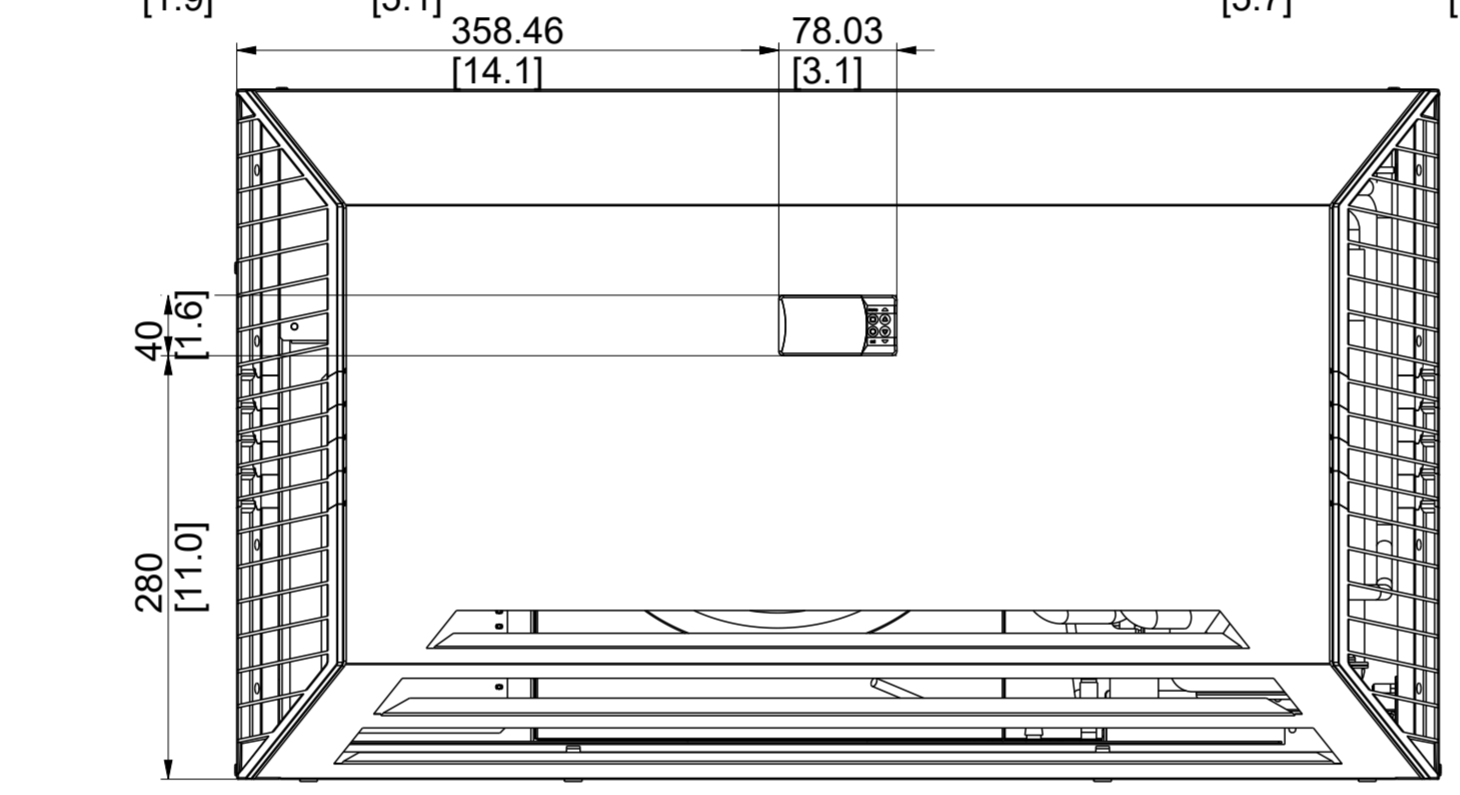
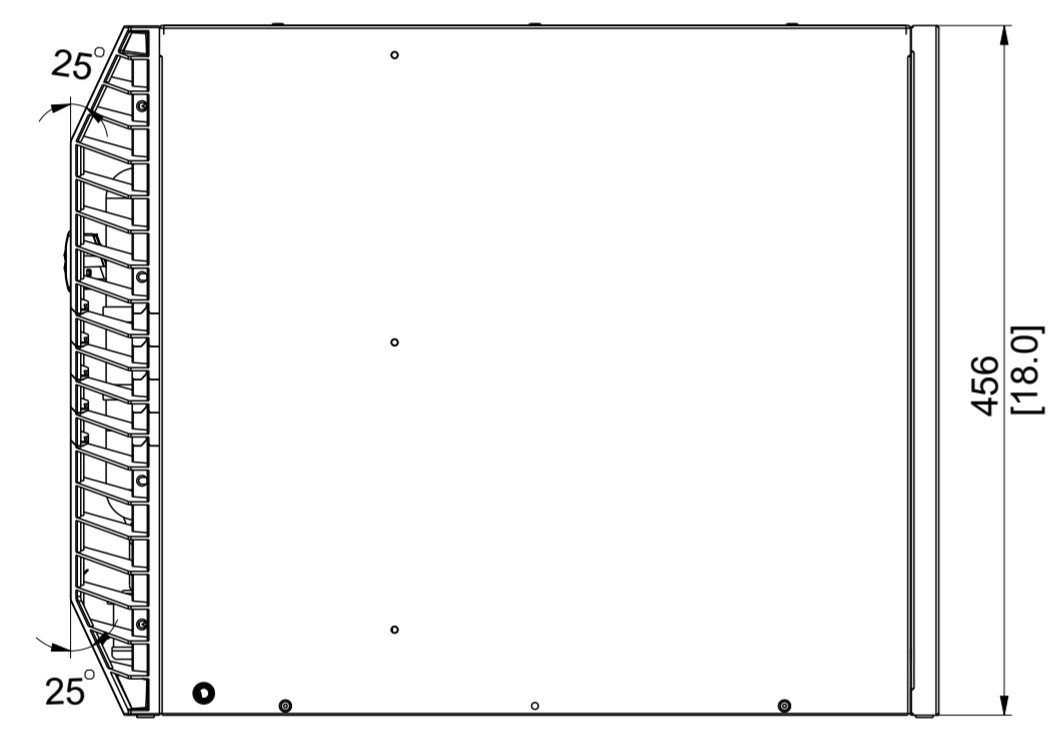
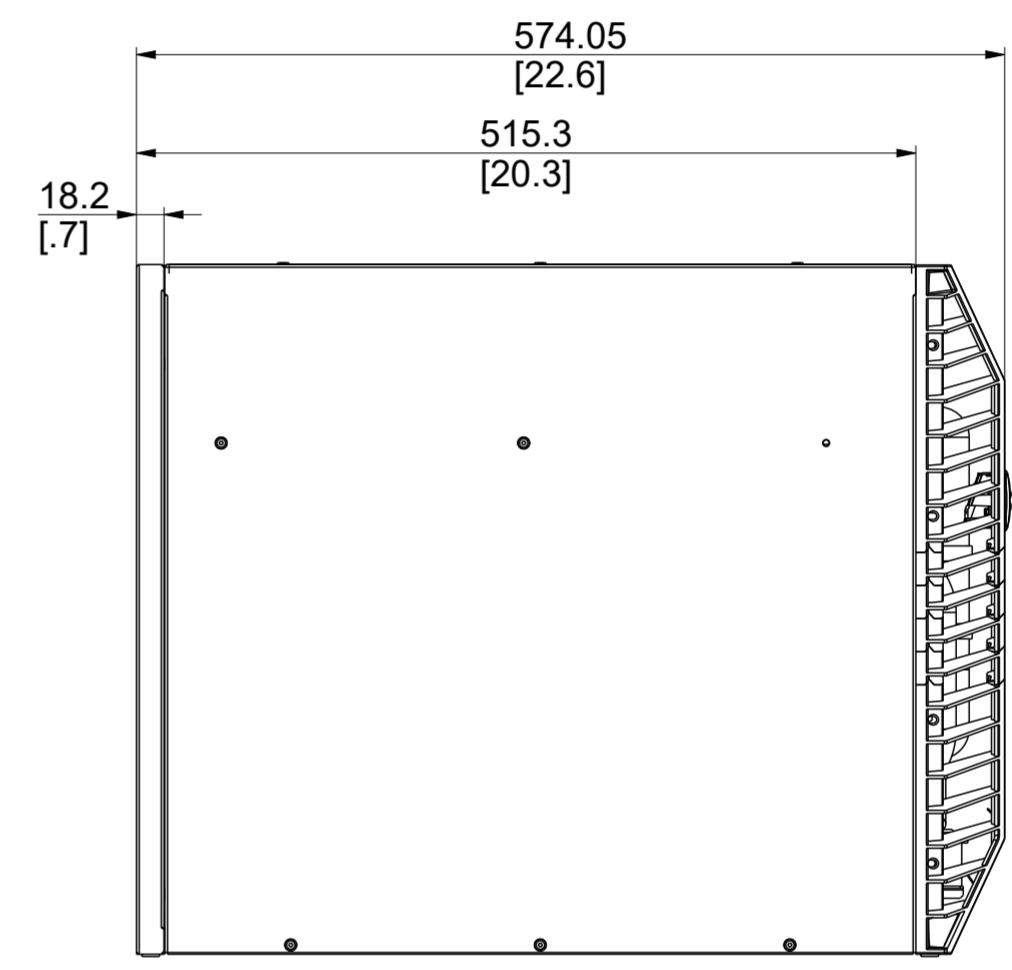
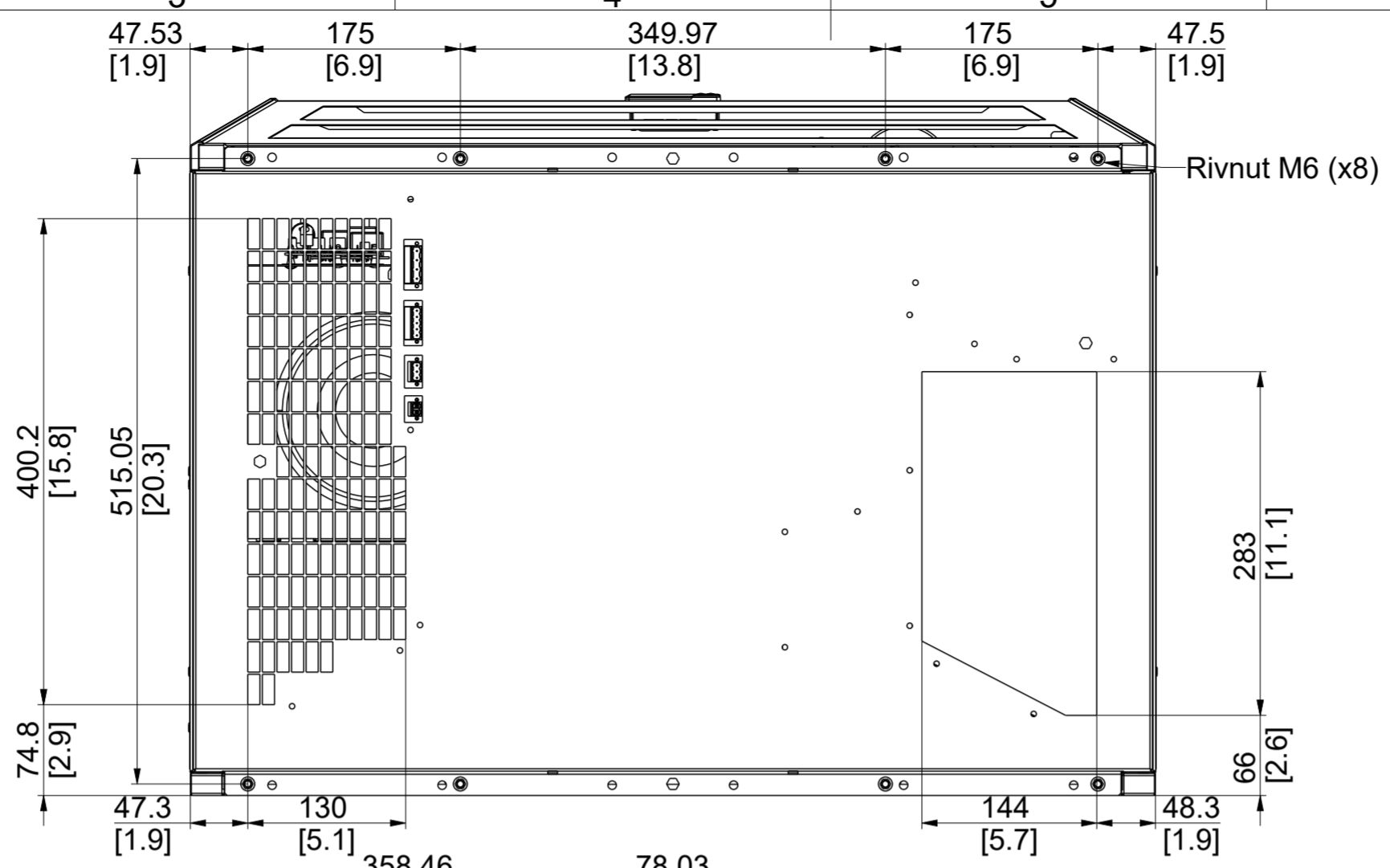


UNLESS OTHERWISE SPECIFIED, DIMENSIONS ARE IN MM. DIMENSIONS W/O TOLERANCES ISO2768-mK AS FOLLOWS. SURFACES ISO1302. TOLERANCES ARE NOT CUMULATIVE.

LINEAR DIMENSIONS							
0.5 to 3	>3 to 6	>6 to 30	>30 to 120	>120 to 400	>400 to 1000	>1000 to 2000	>2000 to 4000
±0.1	±0.1	±0.2	±0.3	±0.5	±0.8	±1.2	±2

ANGULAR DIMENSIONS					BEND DIRECTION	
to 10	>10 to 50	>50 to 120	>120 to 400	>400	↗ ↖	BEND OUT
±1°	±0°'30'	±0°'20'	±0°'10'	±0°'5'	↘ ↙	BEND IN

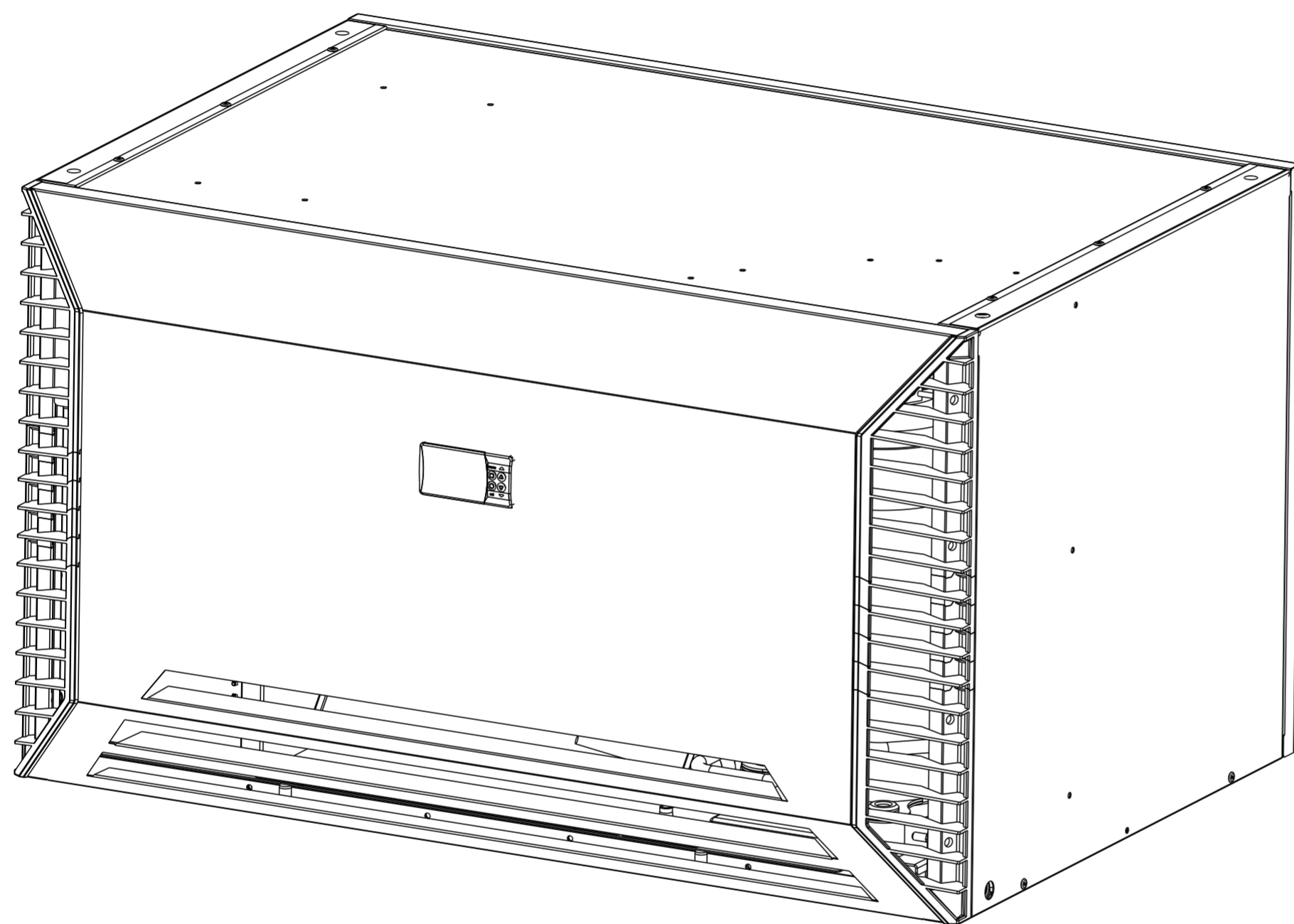


REV	BY	DATE	DESCRIPTION

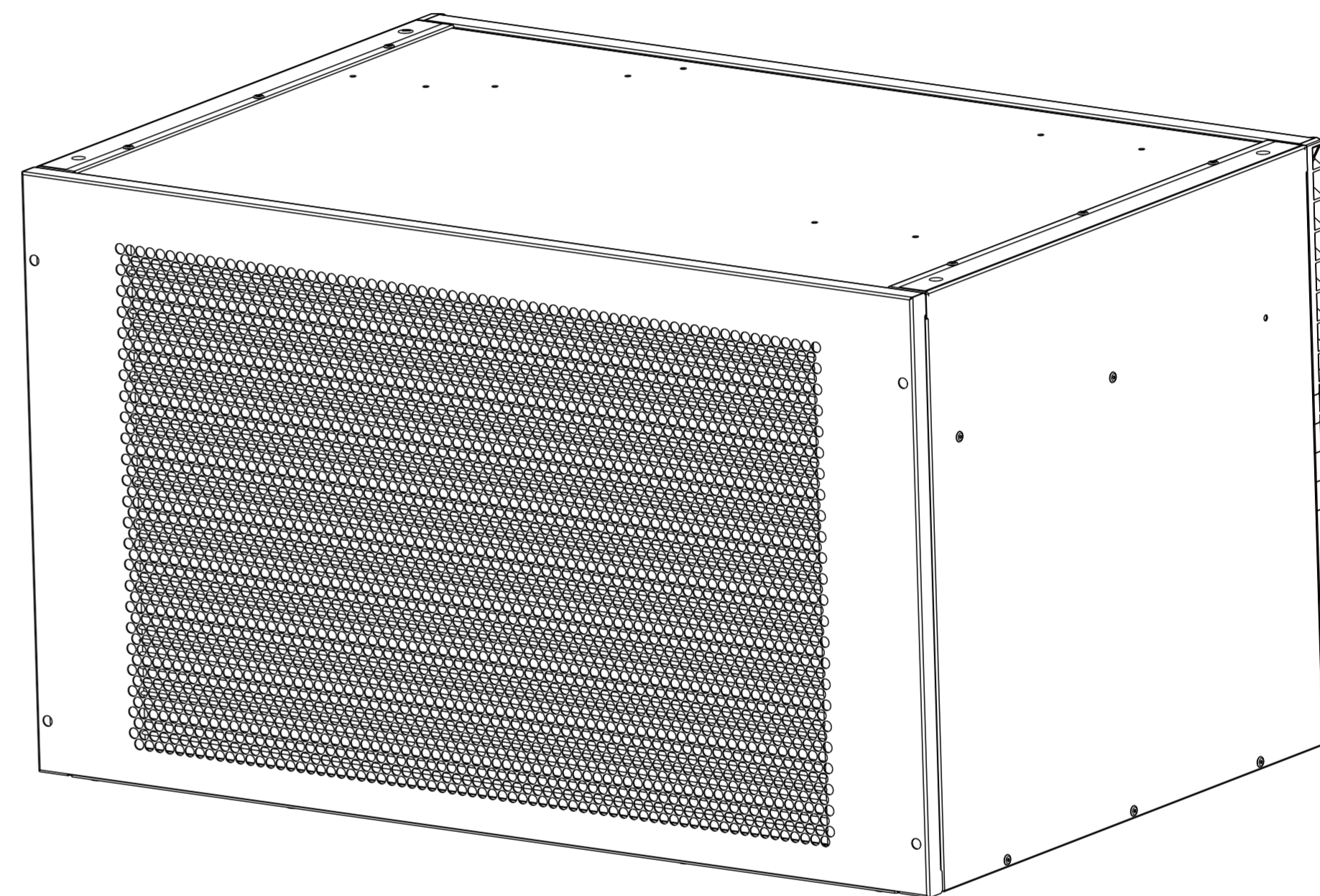
Art.no.:	M5930060458		
Material:	-		
Complete Unit KG-9530-40			
Designed:	G.Zammit	10/10/2022	FIRST ANGLE PROJECTION
Drawn:	-	-	SHEET SCALE
Checked:	-	Approved: -	1 of 2 0.200
60458			ISSUE SIZE
			0.0 A2

60458	DRAWING	0.0	Work In Progress
KG9540-COMPLETE	ASSEM	1.3	Work In Progress
PRO/E_FILENAME	FILE TYPE	REV	RELEASE





SCALE 0.250



SCALE 0.250

Art.no.:	M5930060458		
Material:	-		
Complete Unit KG-9530-40			
SHEET	SCALE	SIZE	FIRST ANGLE PROJECTION
2 of 2	0.200	A2	
60458			

60458	DRAWING	0.0	Work In Progress
KG9540-COMPLETE	ASSEM	1.0	Work In Progress
PRO/E FILENAME	FILE TYPE	REV	RELEASE

**SEIFERT**  
wegweisend innovativ

WE RESERVE ALL COPYRIGHT AND OTHER RIGHTS IN THIS DOCUMENT  
SEIFERT SYSTEMS LTD.