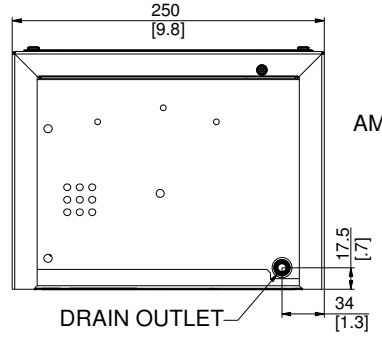
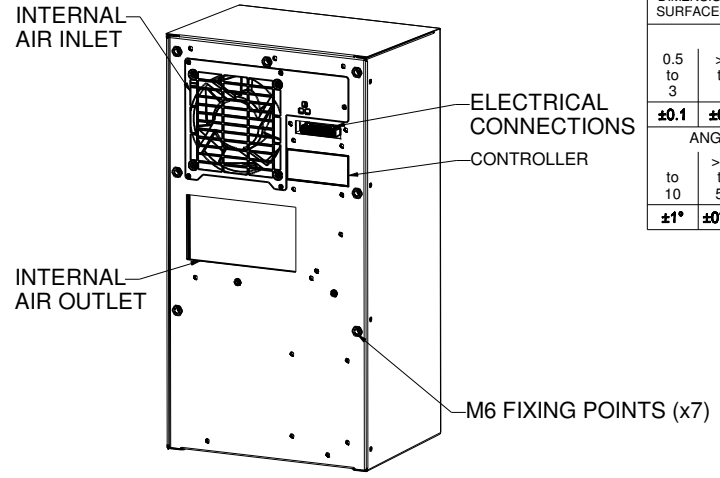
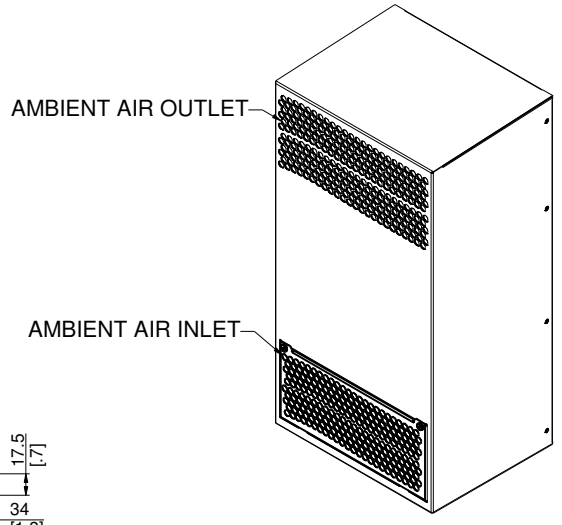
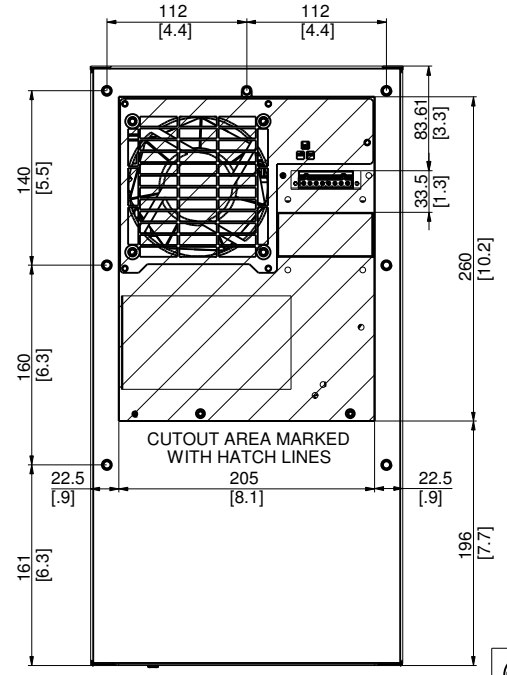
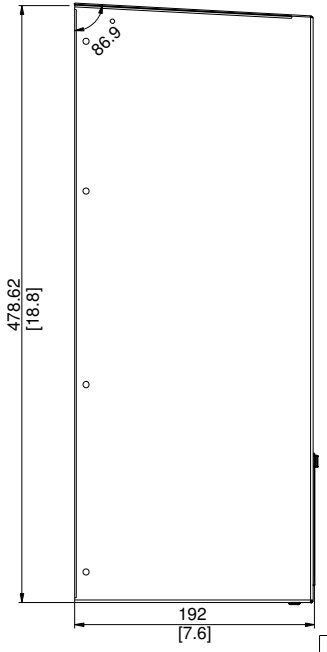
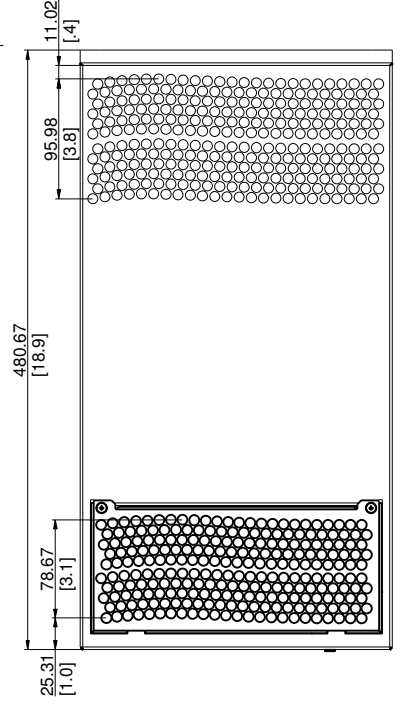


UNLESS OTHERWISE SPECIFIED, DIMENSIONS ARE IN MM. DIMENSIONS W/O TOLERANCES ISO2768-mK AS FOLLOWS. SURFACES ISO1302. TOLERANCES ARE NOT CUMULATIVE.

LINEAR DIMENSIONS							
0.5 to 3	>3 to 6	>6 to 30	>30 to 120	>120 to 400	>400 to 1000	>1000 to 2000	>2000 to 4000
±0.1	±0.1	±0.2	±0.3	±0.5	±0.8	±1.2	±2
ANGULAR DIMENSIONS					BEND DIRECTION		
to 10	>10 to 50	>50 to 120	>120 to 400	>400			
±1°	±0°30'	±0°20'	±0°10'	±0°5'			



SCALE 0.250



NOTES:

- THIS IS A PRO/ENGINEER PARAMETRIC DRAWING. ANY CHANGES MUST BE WITHIN PRO/INTRALINK.
- REMOVE ALL BURRS AND SHARP EDGES.

REV	BY	DATE	DESCRIPTION
0.4	DC	13.05.19	Change controller and cutout increased by 5mm

Art.no.:	5704 xxx xx		
Material:	-		
Complete Unit OC-5704			
Designed:	G.Zammit	02.02.2016	FIRST ANGLE PROJECTION
Drawn:	G.Zammit	25.02.2016	SHEET SCALE
Checked:	-	Approved:	-
			1 of 1
			0.350
			ISSUE SIZE
			0.4 A2

42771	DRAWING	0.4	Work In Progress
OC-5704_COMPLETE	ASSEM	0.11	Work In Progress
PRO/E/FILENAME	FILE TYPE	REV	RELEASE

