

60096 0.1+ / 1 of 2

UNLESS OTHERWISE SPECIFIED, DIMENSIONS ARE IN MM. DIMENSIONS W/O TOLERANCES ISO2768-mK AS FOLLOWS. SURFACES ISO1302. TOLERANCES ARE NOT CUMULATIVE.

LINEAR DIMENSIONS							
0.5 to 3	>3 to 6	>6 to 30	>30 to 120	>120 to 400	>400 to 1000	>1000 to 2000	>2000 to 4000
±0.1	±0.1	±0.2	±0.3	±0.5	±0.8	±1.2	±2

ANGULAR DIMENSIONS				BEND DIRECTION	
to 10	>10 to 50	>50 to 120	>120 to 400	>400	
±1°	±0°30'	±0°20'	±0°10'	±0°5'	↗ ↑ BEND OUT ↘ ↓ BEND IN

NOTES:

- THIS IS A CREO PARAMETRIC DRAWING. ANY CHANGES MUST BE WITHIN PDM LINK.
- REMOVE ALL BURRS AND SHARP EDGES.

REV	BY	DATE	DESCRIPTION
0.1	LS	03.04.24	Updated drawing views

Art.no.:		M5930060096				
Complete Unit Assembly RK-2120						
Designed:	-					
Drawn:	Brian Galea					
Date:	04/08/23				SHEET	SCALE
Checked:	G.Zammit	Approved:	G.Zammit	1 of 2	0.100	
Drawing No.:				ISSUE	SIZE	
60096				0.1+	A2	

60096	DRAWING	0.1+	Work In Progress
RK2120_COMPLETE	ASSEM	0.3+	Work In Progress
CREO FILENAME	FILE TYPE	REV	RELEASE

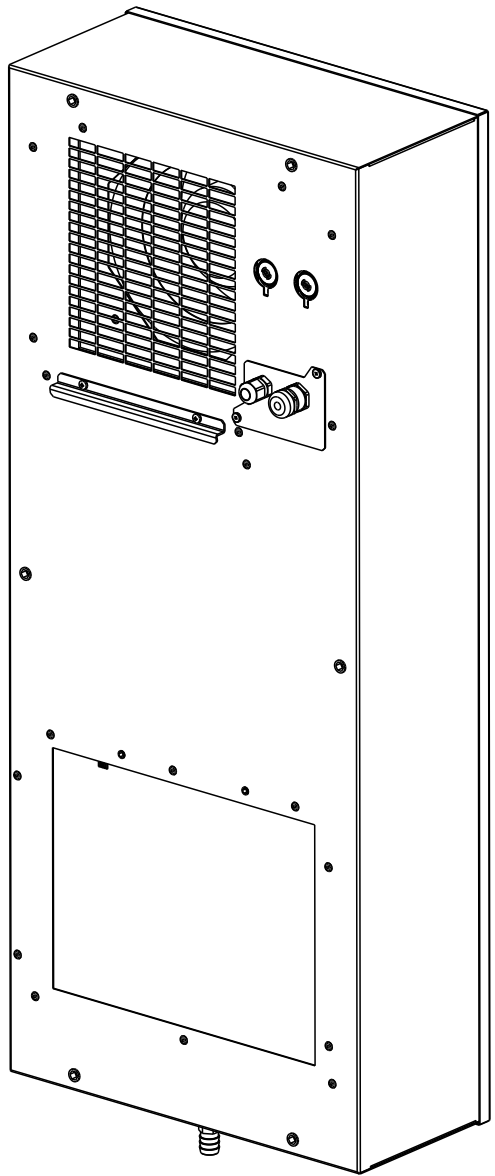
FIRST ANGLE PROJECTION

wegweisend innovativ

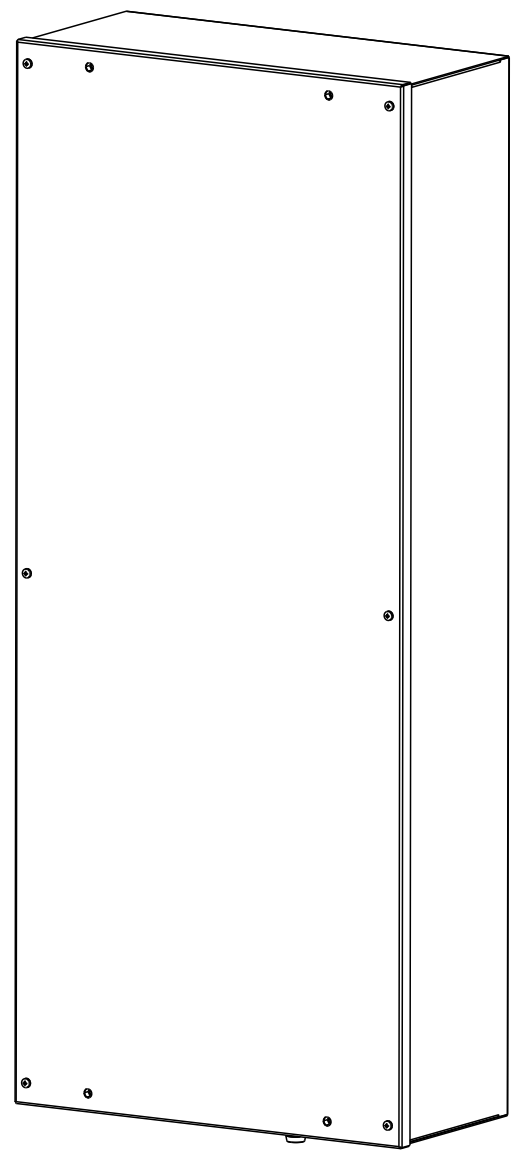
WE RESERVE ALL COPYRIGHT AND OTHER RIGHTS IN THIS DOCUMENT SEIFERT SYSTEMS LTD.

1 2 3 4 5 6 7 8

A  
B  
C  
D  
E  
F  
G  
H



SCALE 0.150



SCALE 0.150

60096	DRAWING	0.1+	Work In Progress
RK2120_COMPLETE	ASSEM	0.3+	Work In Progress
CREO_FILENAME	FILE TYPE	REV	RELEASE

FIRST ANGLE PROJECTION

**SEIFERT**

wegweisend innovativ

WE RESERVE ALL COPYRIGHT AND OTHER RIGHTS IN THIS DOCUMENT SEIFERT SYSTEMS LTD.

Art.no.:	M5930060096			
Complete Unit Assembly RK-2120				
Designed:	-			
Drawn:	Brian Galea			
Date:	04/08/23	SHEET	SCALE	
Checked:	G.Zammit	Approved:	G.Zammit	2 of 2
Drawing No.:			ISSUE	SIZE
60096			0.1+	A2

1 2 3 4 5 6 7 8