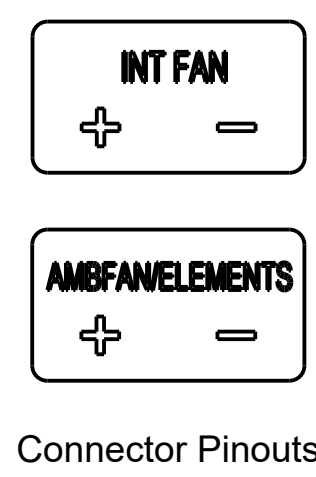
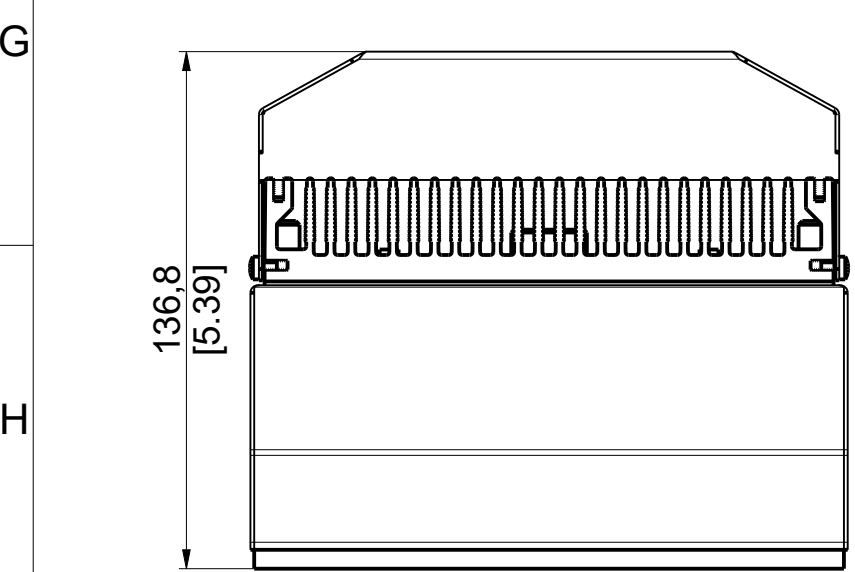
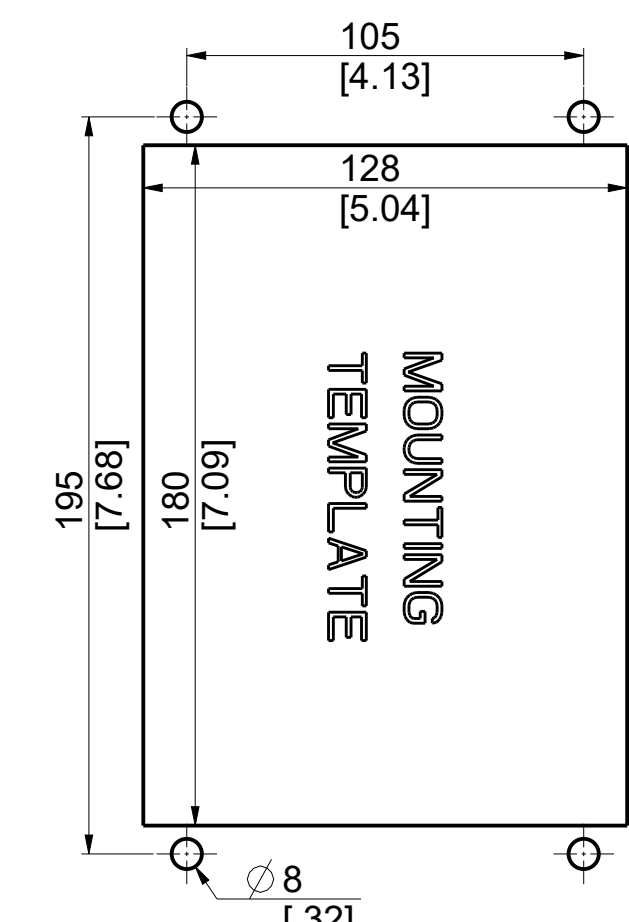
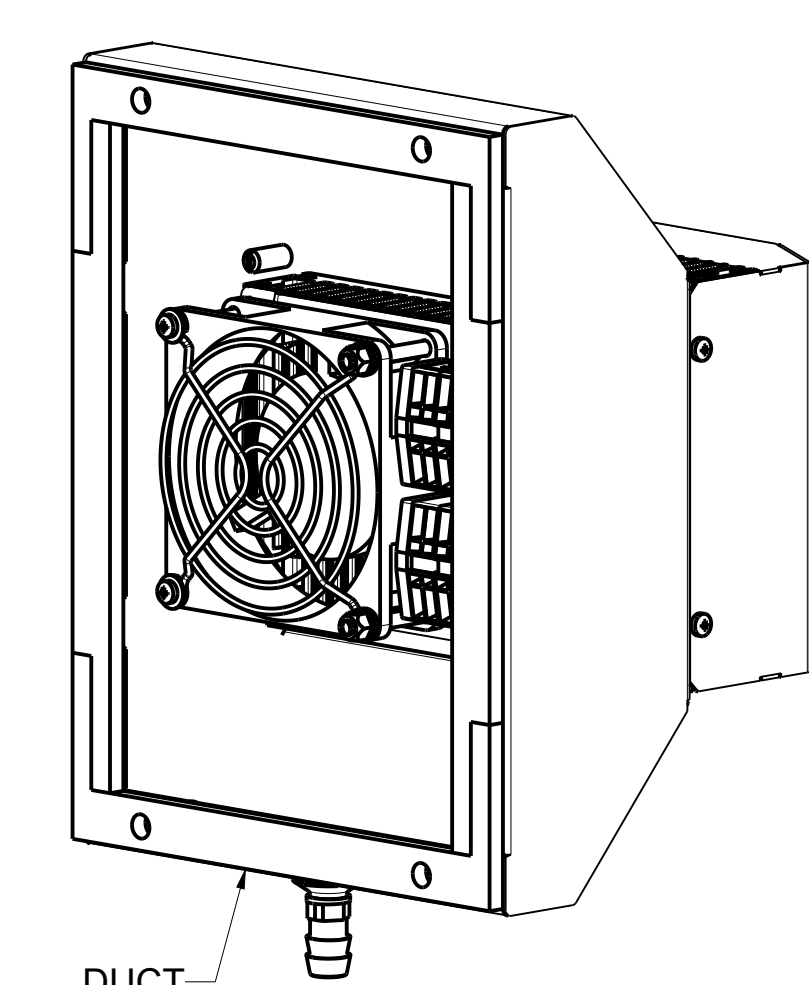
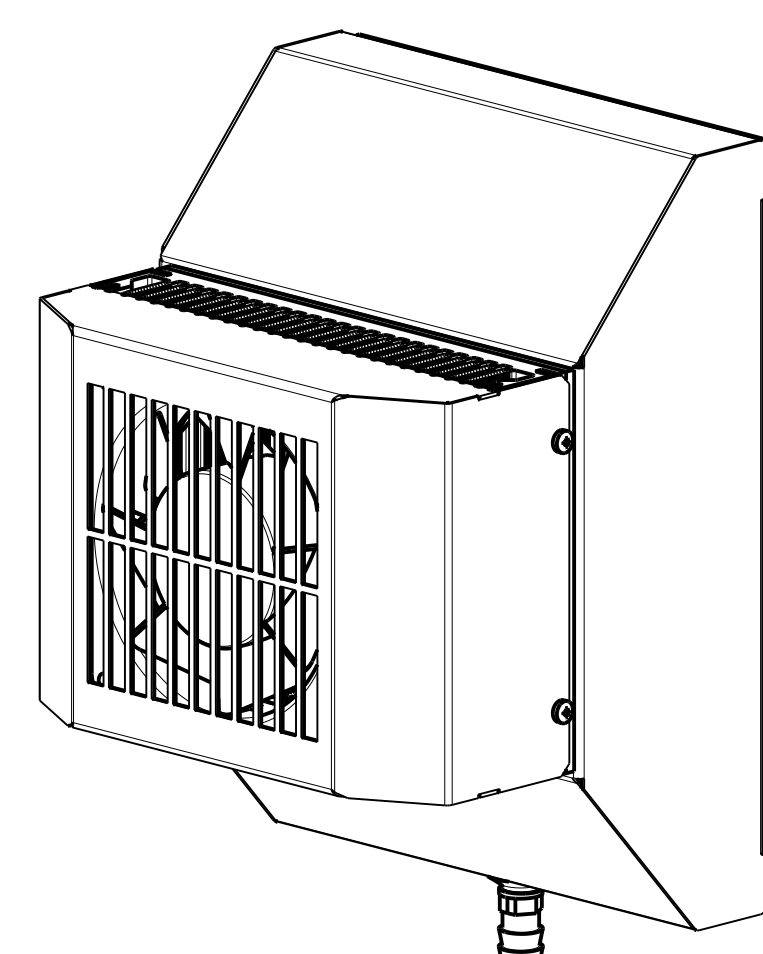
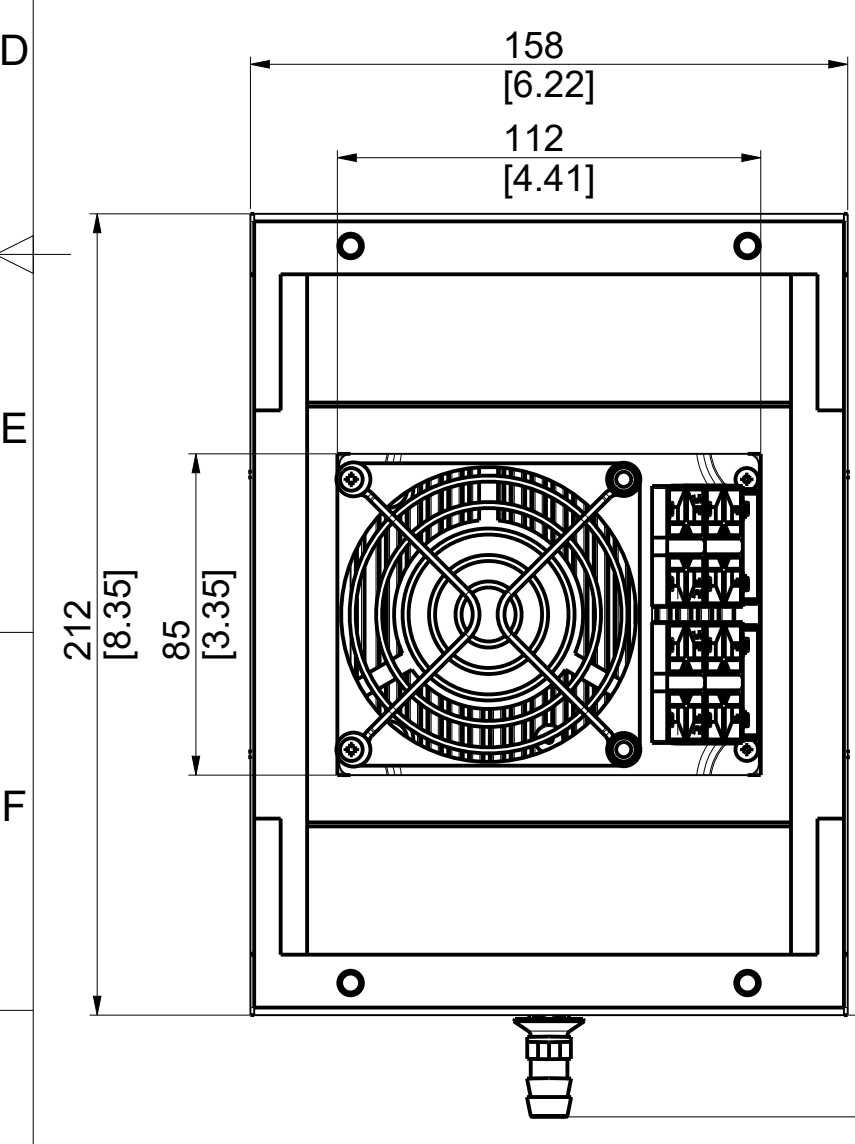
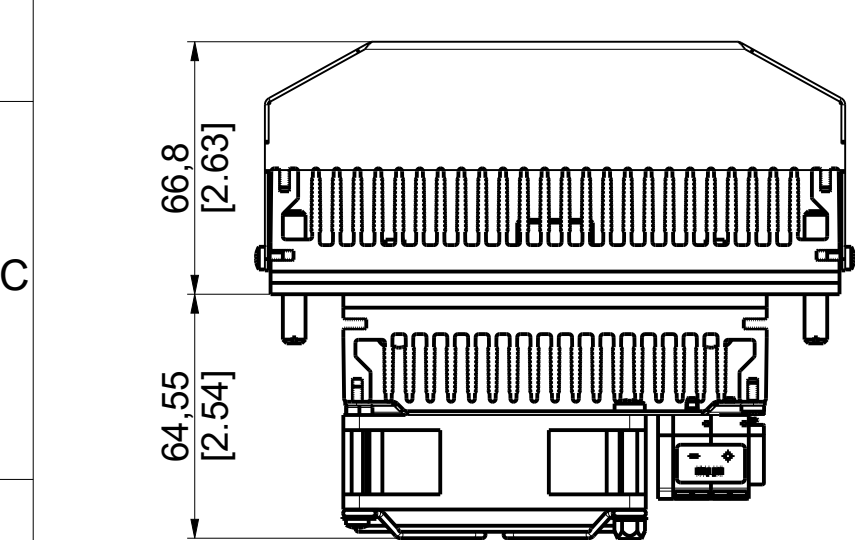
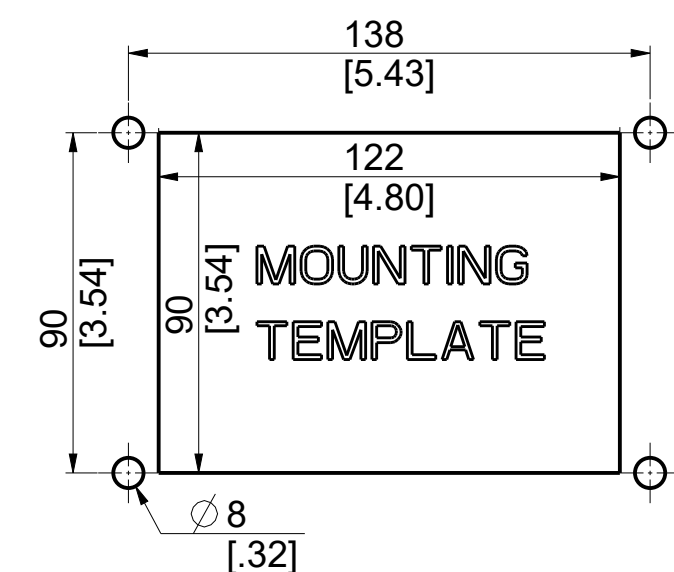
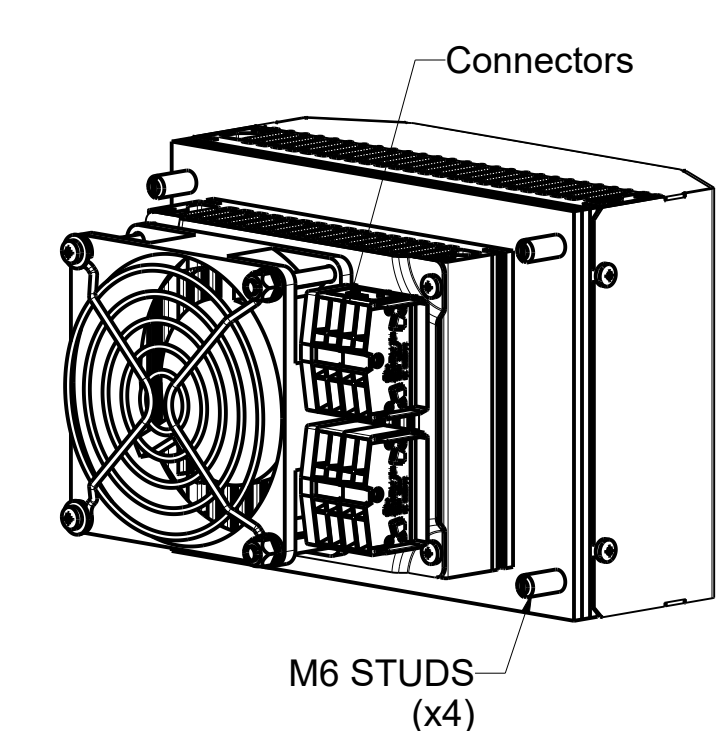
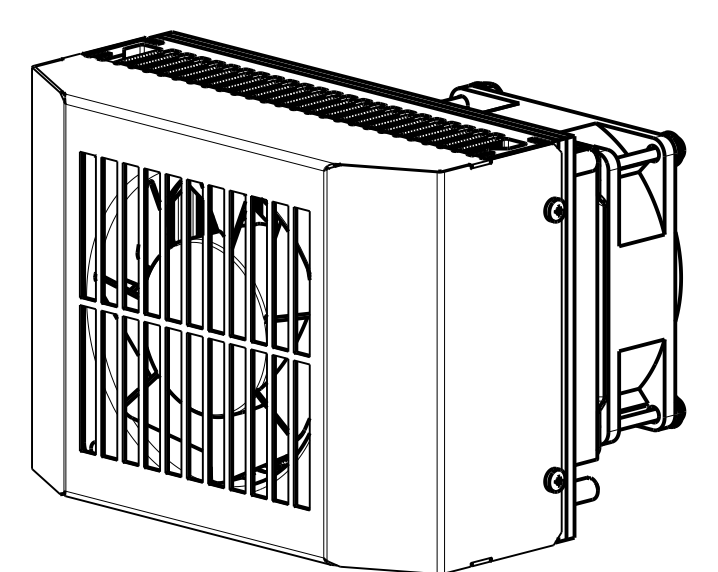
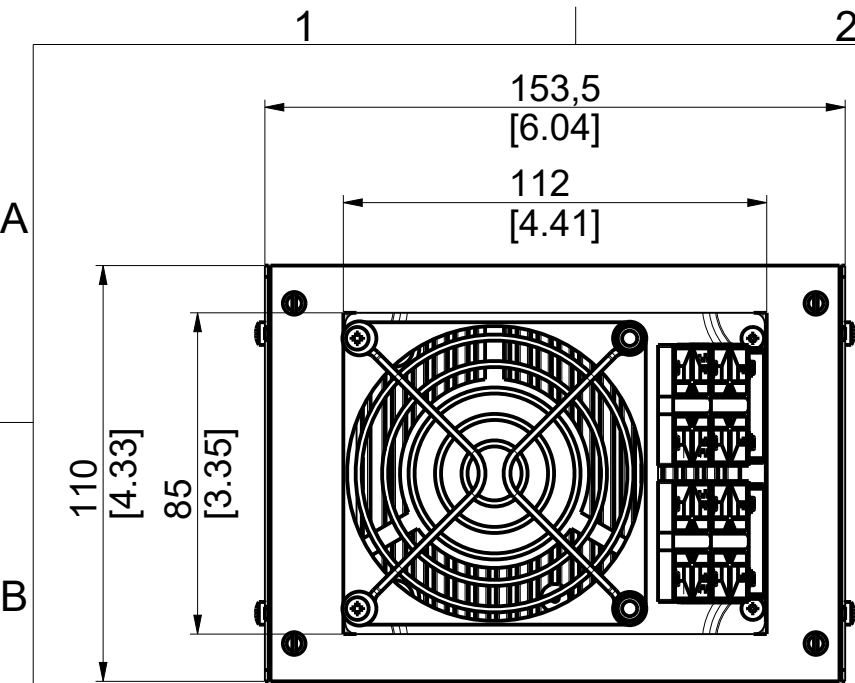


UNLESS OTHERWISE SPECIFIED, DIMENSIONS ARE IN MM. DIMENSIONS W/O TOLERANCES ISO2768-mK AS FOLLOWS. SURFACES ISO1302. TOLERANCES ARE NOT CUMULATIVE.

LINEAR DIMENSIONS							
0.5 to 3	>3 to 6	>6 to 30	>30 to 120	>120 to 400	>400 to 1000	>1000 to 2000	>2000 to 4000
±0.1	±0.1	±0.2	±0.3	±0.5	±0.8	±1.2	±2

ANGULAR DIMENSIONS					BEND DIRECTION	
to 10	>10 to 50	>50 to 120	>120 to 400	>400	↙ ↘	BEND OUT
±1°	±0°30'	±0°20'	±0°10'	±0°5'	↘ ↙	BEND IN



NOTES:  
 1. THIS IS A PRO/ENGINEER PARAMETRIC DRAWING. ANY CHANGES MUST BE WITHIN PRO/INTRALINK.  
 2. REMOVE ALL BURRS AND SHARP EDGES.

REV	BY	DATE	DESCRIPTION
Art.no.:	3030303 / 3030305 (with duct)		
Material:	-		

Thermoelectric Unit - 30W  
TG-3030

Designed:	A. Camilleri	14.04.2016	FIRST ANGLE PROJECTION
Drawn:	A. Camilleri	14.04.2016	SHEET
Checked:	-	Approved: -	SCALE
43045			1 of 1
			0.500
			ISSUE
			SIZE
			0.5
			A2

43045	DRAWING	0.5	Work In Progress
TG3030-2016	ASSEM	0.19	Work In Progress
PRO/E FILENAME	FILE TYPE	REV	RELEASE

