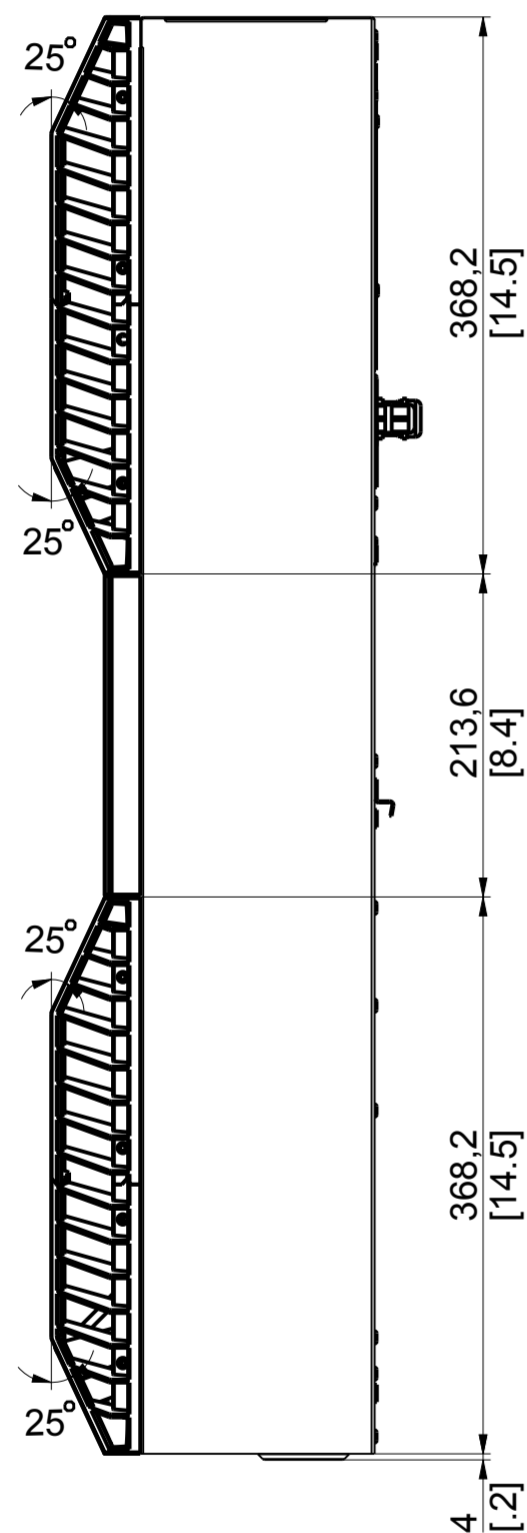
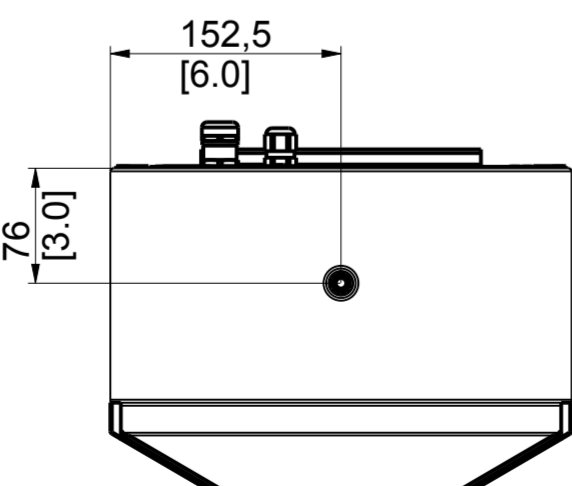
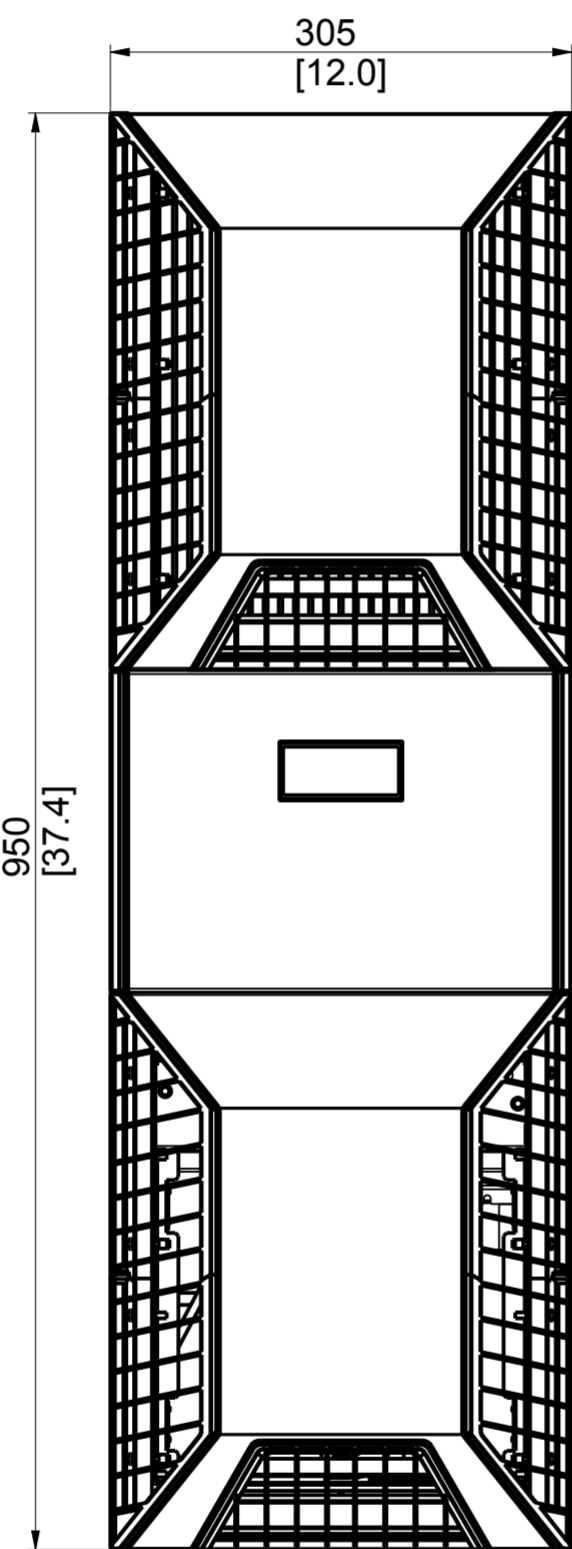
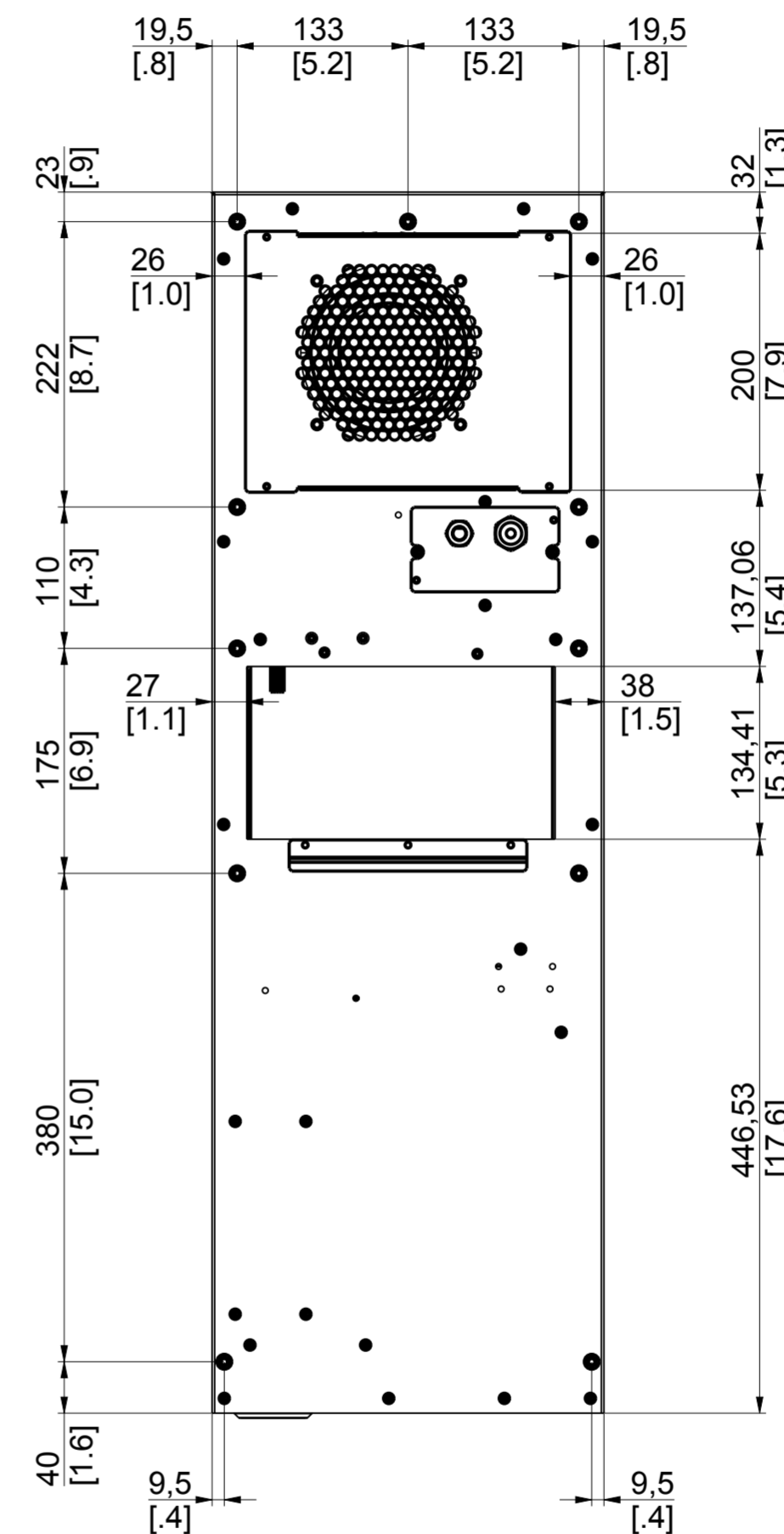
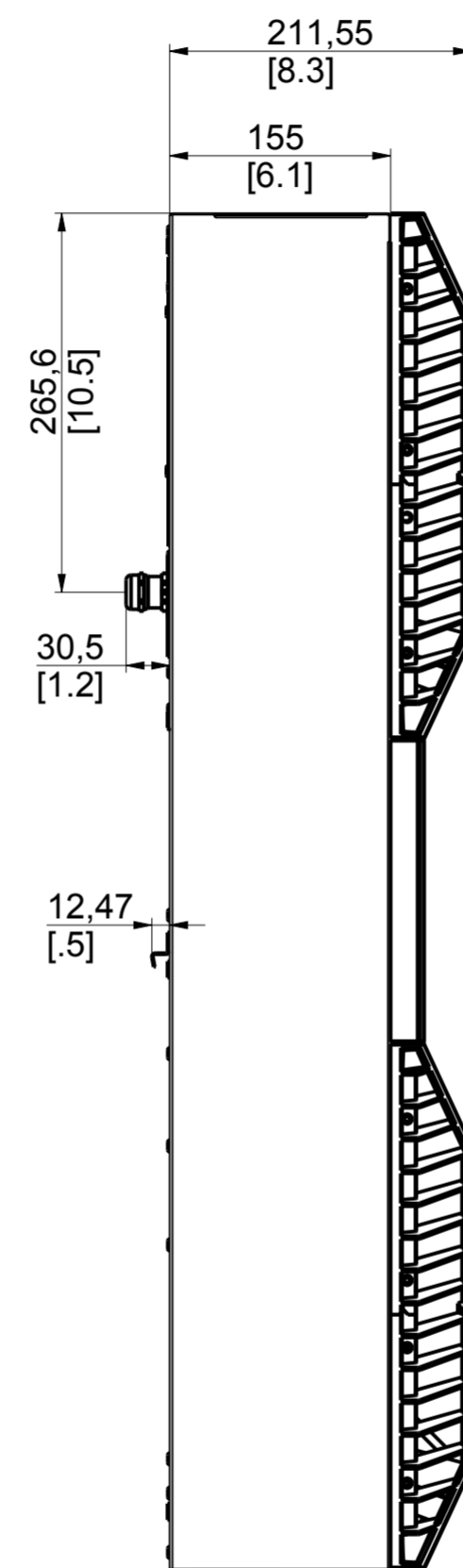
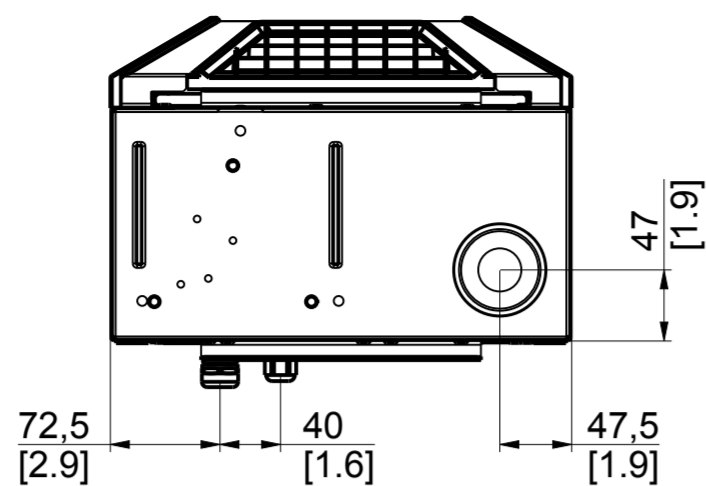


UNLESS OTHERWISE SPECIFIED, DIMENSIONS ARE IN MM. DIMENSIONS W/O TOLERANCES ISO2768-mK AS FOLLOWS. SURFACES ISO1302. TOLERANCES ARE NOT CUMULATIVE.

LINEAR DIMENSIONS							
0.5 to 3	>3 to 6	>6 to 30	>30 to 120	>120 to 400	>400 to 1000	>1000 to 2000	>2000 to 4000
±0.1	±0.1	±0.2	±0.3	±0.5	±0.8	±1.2	±2

ANGULAR DIMENSIONS				BEND DIRECTION	
to 10	>10 to 50	>50 to 120	>120 to 400	>400	
±1°	±0°'30'	±0°'20'	±0°'10'	±0°'5'	



- NOTES:
- THIS IS A PRO/ENGINEER PARAMETRIC DRAWING. ANY CHANGES MUST BE WITHIN PRO/INTRALINK.
 - REMOVE ALL BURRS AND SHARP EDGES.

REV	BY	DATE	DESCRIPTION

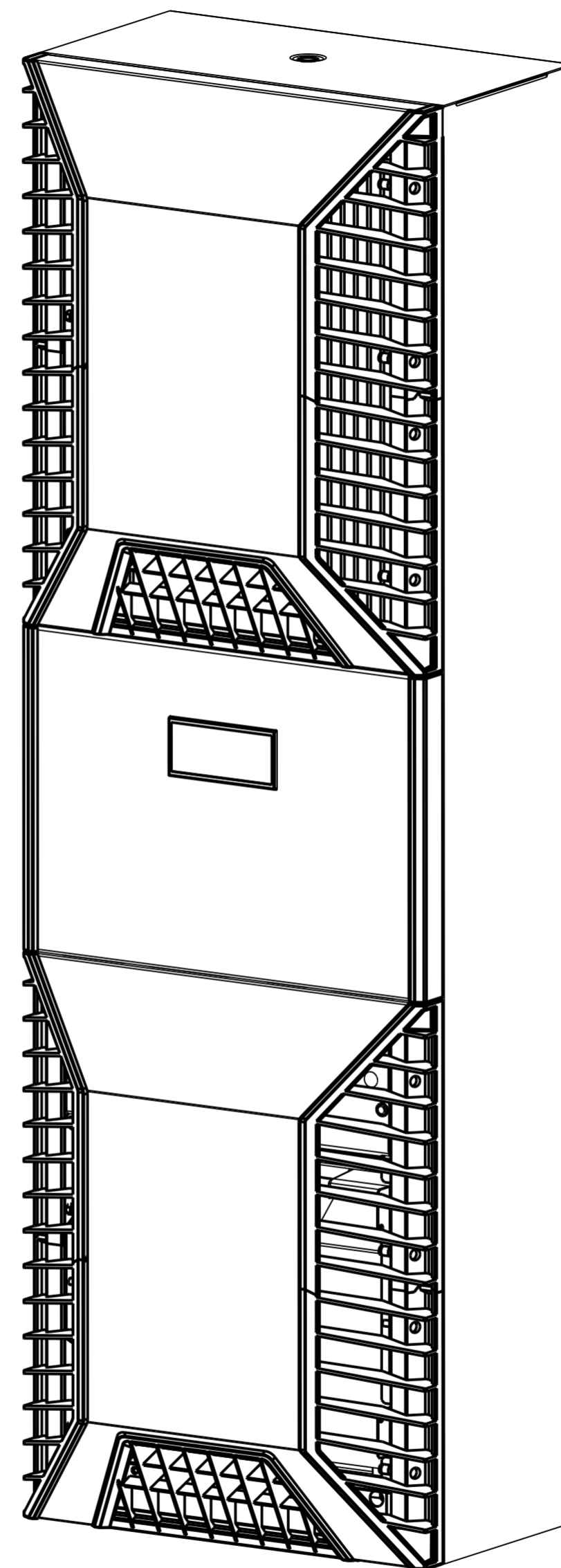
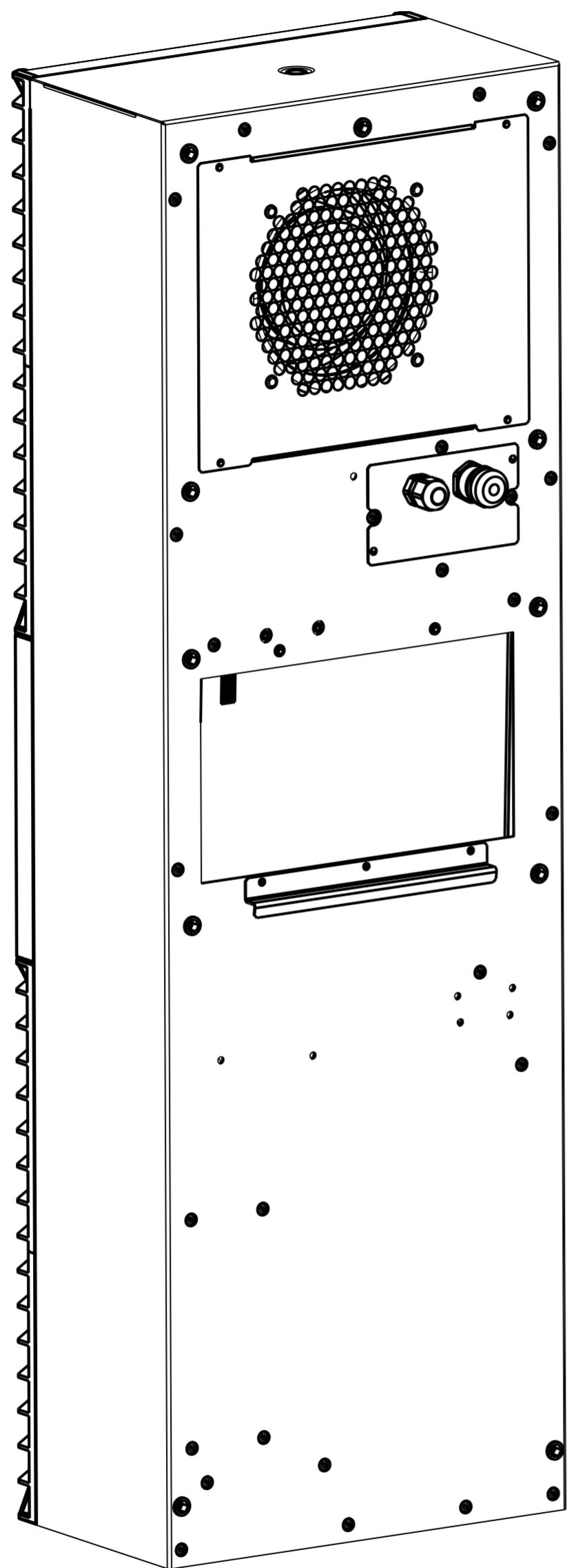
Art.no.: M5930046128

Material: -

Air-conditioning Unit 800W/1200W
KG-8508/8512 plastic grid covers

Designed:	G.Zammit	25.08.2016	FIRST ANGLE PROJECTION	
Drawn:	-	-	SHEET	SCALE
Checked:	-	Approved: -	1 of 2	0.200
			ISSUE	SIZE
46128			1.0	A2

46128	DRAWING	1.0	Work In Progress
KG-8512_COMPLETE	ASSEM	0.14	Work In Progress
PRO/E_FILENAME	FILE TYPE	REV	RELEASE



Art.no.:	M5930046128		
Material:	-		
Air-conditioning Unit 800W/1200W KG-8508/8512 plastic grid covers			
SHEET	SCALE	SIZE	FIRST ANGLE PROJECTION
2 of 2	0.300	A2	
		46128	

46128	DRAWING	1.1	Work In Progress
KG-8512_COMPLETE	ASSEM	1.1	Work In Progress
PRO/E FILENAME	FILE TYPE	REV	RELEASE

