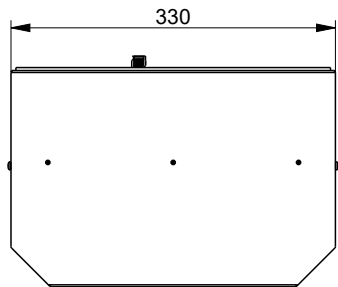
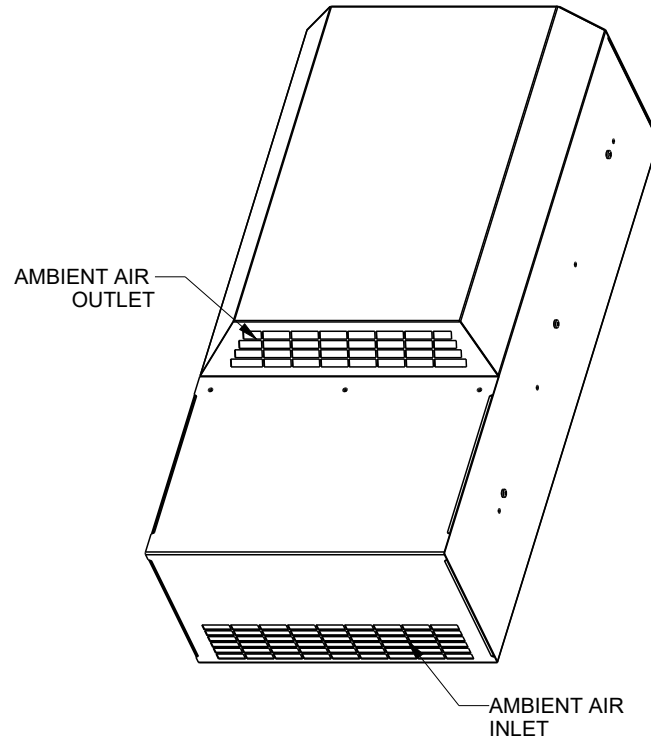
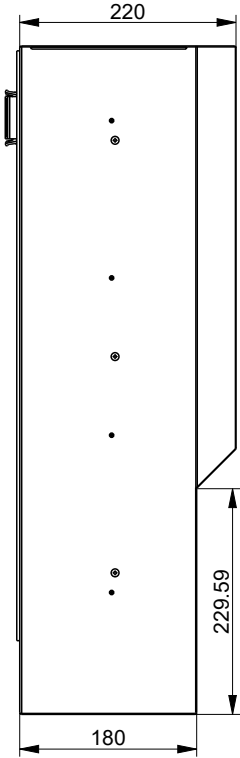
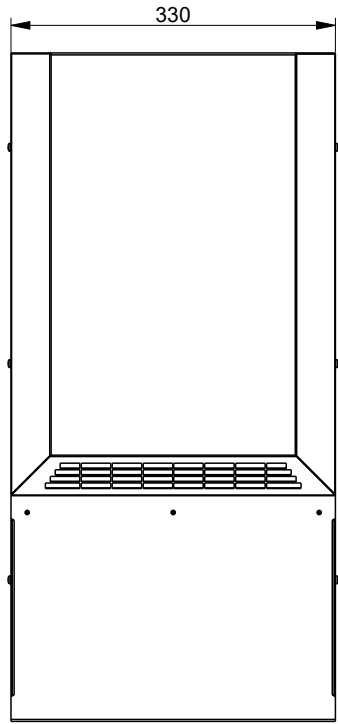


48052 0.1 / 1 of 2

UNLESS OTHERWISE SPECIFIED, DIMENSIONS ARE IN MM.
DIMENSIONS W/O TOLERANCES ISO2768-mK AS FOLLOWS.
SURFACES ISO1302. TOLERANCES ARE NOT CUMULATIVE.

LINEAR DIMENSIONS							
0.5 to 3	>3 to 6	>6 to 30	>30 to 120	>120 to 400	>400 to 1000	>1000 to 2000	>2000 to 4000
±0.1	±0.1	±0.2	±0.3	±0.5	±0.8	±1.2	±2
ANGULAR DIMENSIONS					BEND DIRECTION		
to 10	>10 to 50	>50 to 120	>120 to 400	>400	↙ ↑	BEND OUT	
±1°	±0°30'	±0°20'	±0°10'	±0°5'	↘ ↓	BEND IN	



NOTES:
1. THIS IS A CREO PARAMETRIC DRAWING. ANY CHANGES MUST BE WITHIN PDM LINK.
2. REMOVE ALL BURRS AND SHARP EDGES.

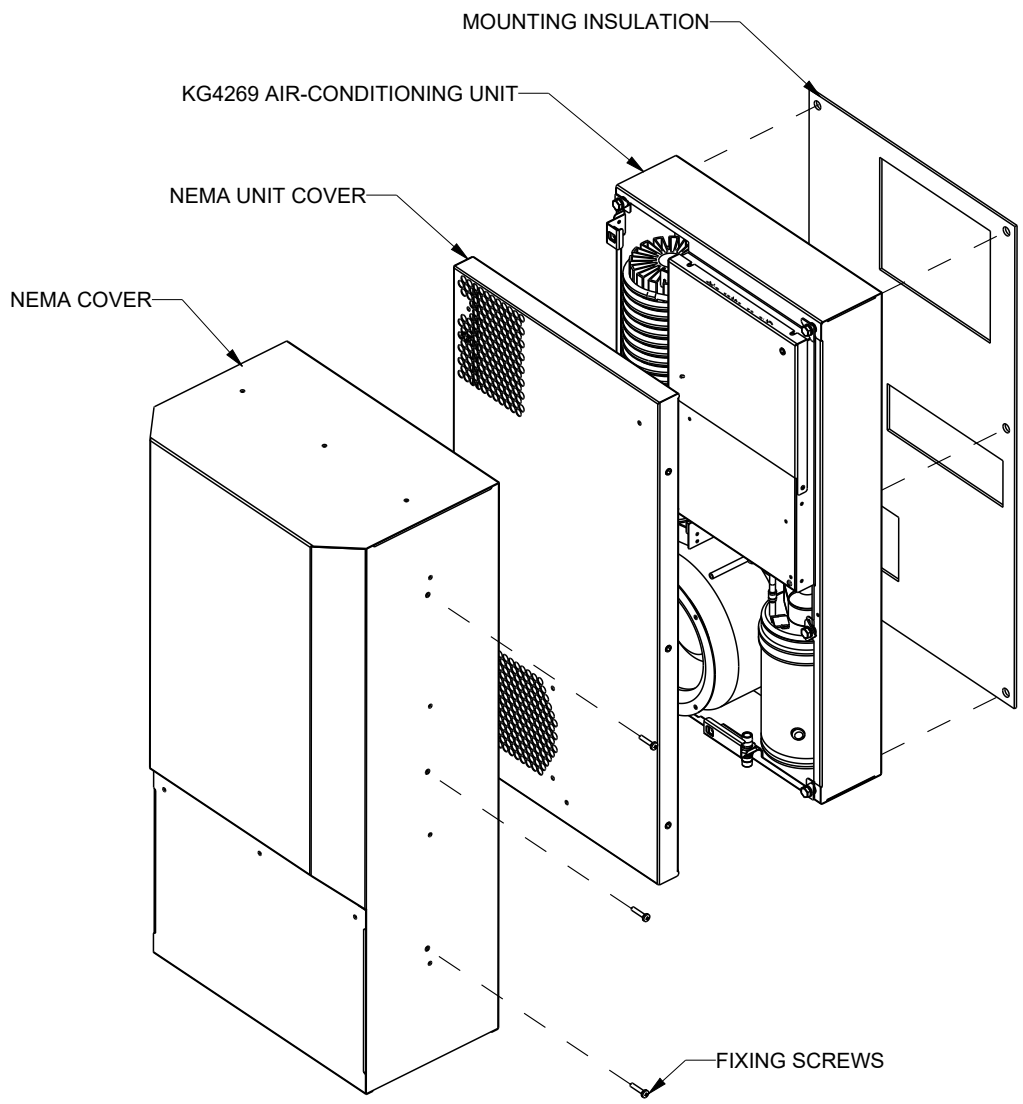
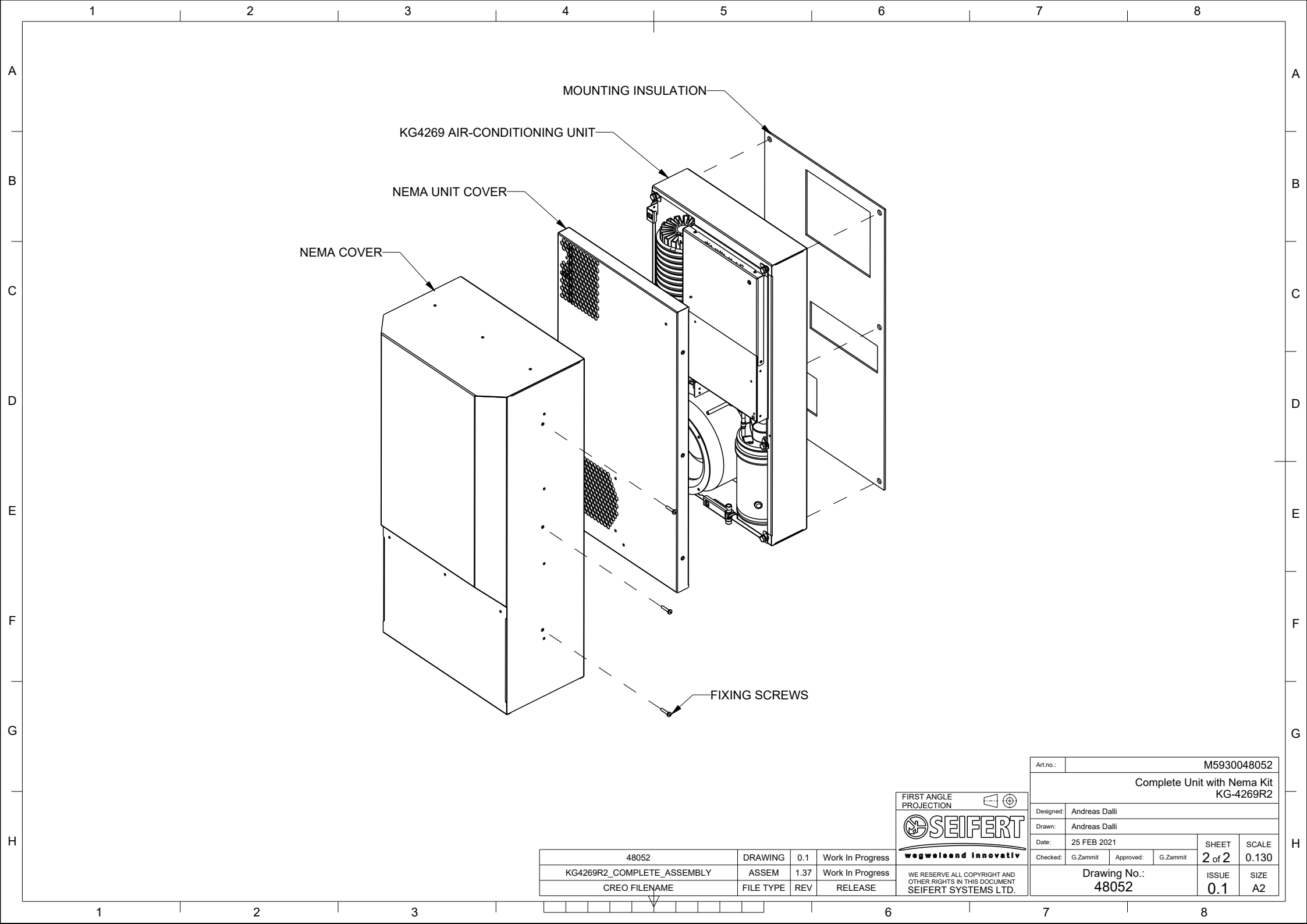
REV	BY	DATE	DESCRIPTION

Art.no.:	M5930048052		
Complete Unit with Nema Kit KG-4269R2			
Designed:	Andreas Dalli		
Drawn:	Andreas Dalli		
Date:	25 FEB 2021		SHEET
Checked:	G.Zammit	Approved:	G.Zammit
Drawing No.:			SCALE
48052			1 of 2
ISSUE			SIZE
0.1			A2

48052	DRAWING	0.1	Work In Progress
KG4269R2_COMPLETE_ASSEMBLY	ASSEM	1.37	Work In Progress
CREO FILENAME	FILE TYPE	REV	RELEASE

FIRST ANGLE PROJECTION

WE RESERVE ALL COPYRIGHT AND OTHER RIGHTS IN THIS DOCUMENT SEIFERT SYSTEMS LTD.



48052	DRAWING	0.1	Work In Progress
KG4269R2_COMPLETE_ASSEMBLY	ASSEM	1.37	Work In Progress
CREO_FILENAME	FILE TYPE	REV	RELEASE

FIRST ANGLE PROJECTION



wegweisend innovativ

WE RESERVE ALL COPYRIGHT AND OTHER RIGHTS IN THIS DOCUMENT SEIFERT SYSTEMS LTD.

Art.no.:	M5930048052			
Complete Unit with Nema Kit KG-4269R2				
Designed:	Andreas Dalli			
Drawn:	Andreas Dalli			
Date:	25 FEB 2021	SHEET	SCALE	
Checked:	G.Zammit	Approved:	G.Zammit	2 of 2
Drawing No.:			ISSUE	SIZE
48052			0.1	A2