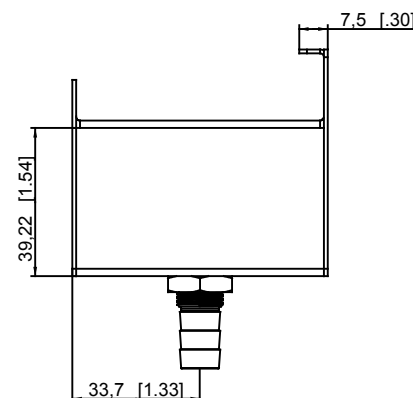
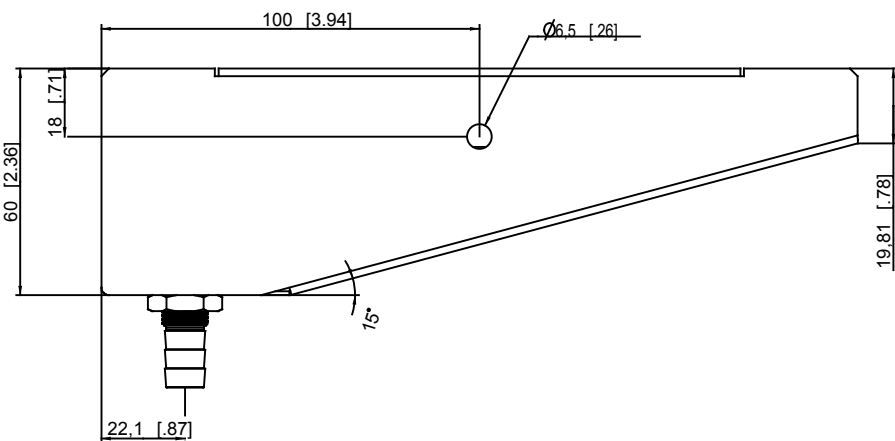
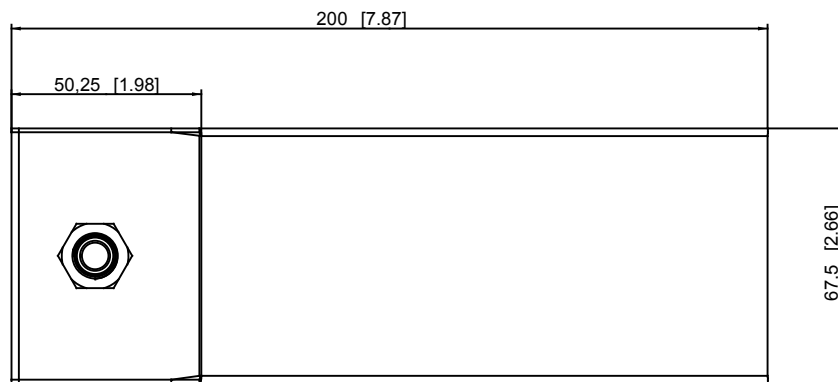
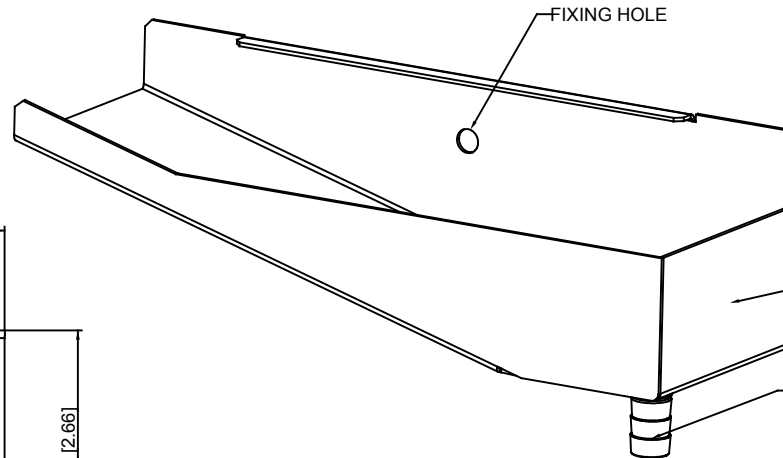


UNLESS OTHERWISE SPECIFIED, DIMENSIONS ARE IN MM. DIMENSIONS W/O TOLERANCES ISO2768-mK AS FOLLOWS. SURFACES ISO1302. TOLERANCES ARE NOT CUMULATIVE.

LINEAR DIMENSIONS						
0,5 to 3	>3 to 6	>6 to 30	>30 to 120	>120 to 400	>400 to 1000	>1000 to 2000
±0.1	±0.1	±0.2	±0.3	±0.5	±0.8	±1.2
ANGULAR DIMENSIONS					BEND DIRECTION	
to 10°	>10 to 50°	>50 to 120°	>120 to 400°	>400°	BEND OUT BEND IN	
±1°	±0°'30'	±0°'20'	±0°'10'	±0°'5'		



NOTES:

- THIS IS A CREO PARAMETRIC DRAWING. ANY CHANGES MUST BE WITHIN PDM LINK.
- REMOVE ALL BURRS AND SHARP EDGES.

0.1	VP	03.06.19	Updated drawings.
REV	BY	DATE	DESCRIPTION

Art.no.:	M5930043940		
Material:	Stainless Steel 1.0mm		
Condensate Drain TG3152 / TG3200 / TG3250			
Designed:	B.Galea	16.03.2017	FIRST ANGLE PROJECTION
Drawn:	B.Galea	16.03.2017	SHEET SCALE
Checked:	G.Zammit	Approved: G.Zammit	1 of 1 1.000
43940			ISSUE SIZE
			0.1 A2

43940	DRAWING	0.1	Work In Progress
TG3152_TG3200_TG3250_COND_DRAIN	PART	0.1	Work In Progress
CREO.FILENAME	FILE TYPE	REV	RELEASE

