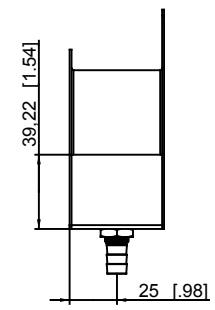
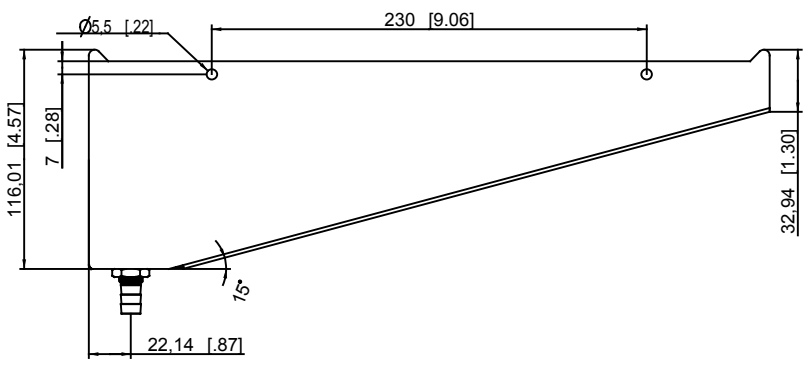
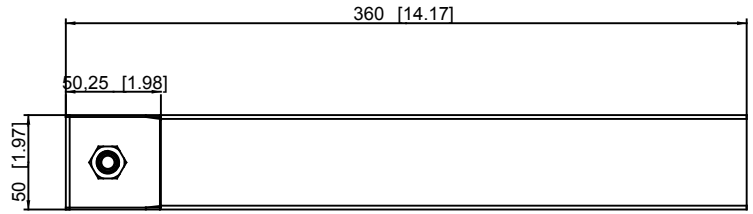
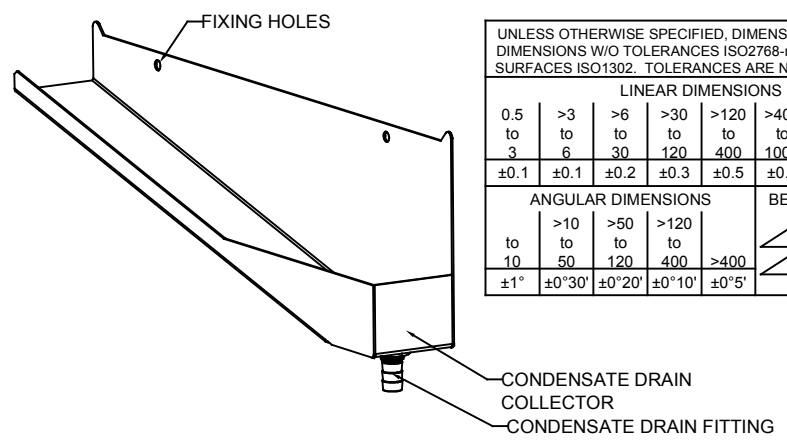


UNLESS OTHERWISE SPECIFIED, DIMENSIONS ARE IN MM. DIMENSIONS W/O TOLERANCES ISO2768-mK AS FOLLOWS. SURFACES ISO1302. TOLERANCES ARE NOT CUMULATIVE.

LINEAR DIMENSIONS						
0.5 to 3	>3 to 6	>6 to 30	>30 to 120	>120 to 400	>400 to 1000	>1000 to 2000
±0.1	±0.1	±0.2	±0.3	±0.5	±0.8	±1.2
ANGULAR DIMENSIONS					BEND DIRECTION	
to 10	>10 to 50	>50 to 120	>120 to 400	>400	BEND OUT BEND IN	
±1°	±0°'30'	±0°'20'	±0°'10'	±0°'5'		



NOTES:
 1. THIS IS A CREO PARAMETRIC DRAWING. ANY CHANGES MUST BE WITHIN PDM LINK.
 2. REMOVE ALL BURRS AND SHARP EDGES.

0.1	VP	03.06.19	Updated drawings.
REV	BY	DATE	DESCRIPTION

Art.no.:	M5930043942		
Material:	Stainless Steel 1.0mm		
Condensate Drain TG6105			
Designed:	B.Galea	07.07.2017	FIRST ANGLE PROJECTION
Drawn:	B.Galea	07.07.2017	SHEET SCALE
Checked:	G.Zammit	Approved: G.Zammit	1 of 1 0.600
43942			ISSUE SIZE
			0.1 A2

43942	DRAWING	0.1	Work In Progress
TG6105_COND_DRAIN	PART	0.1	Work In Progress
CREO.FILENAME	FILE TYPE	REV	RELEASE

