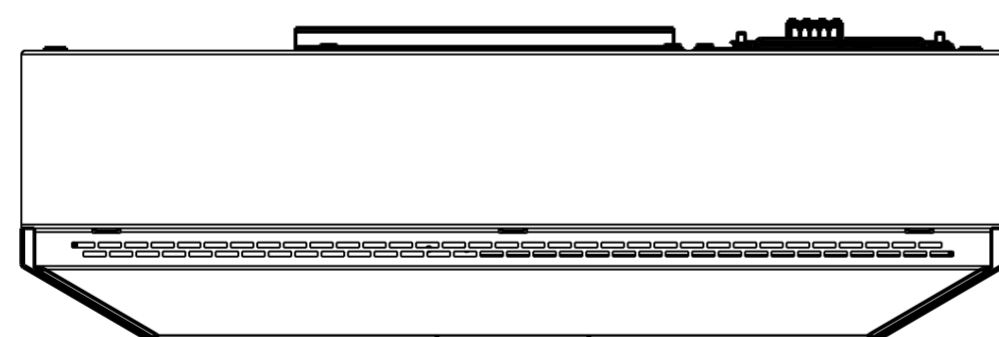
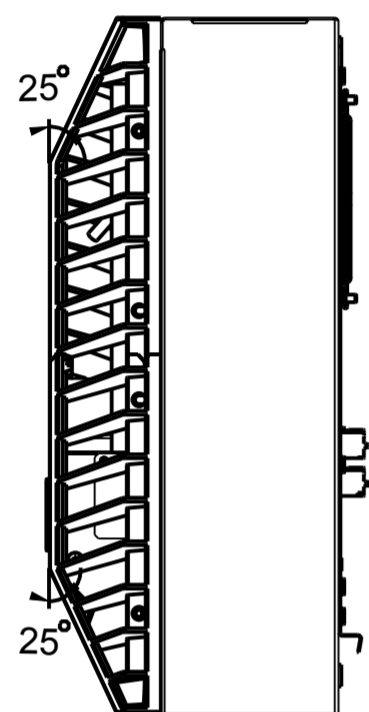
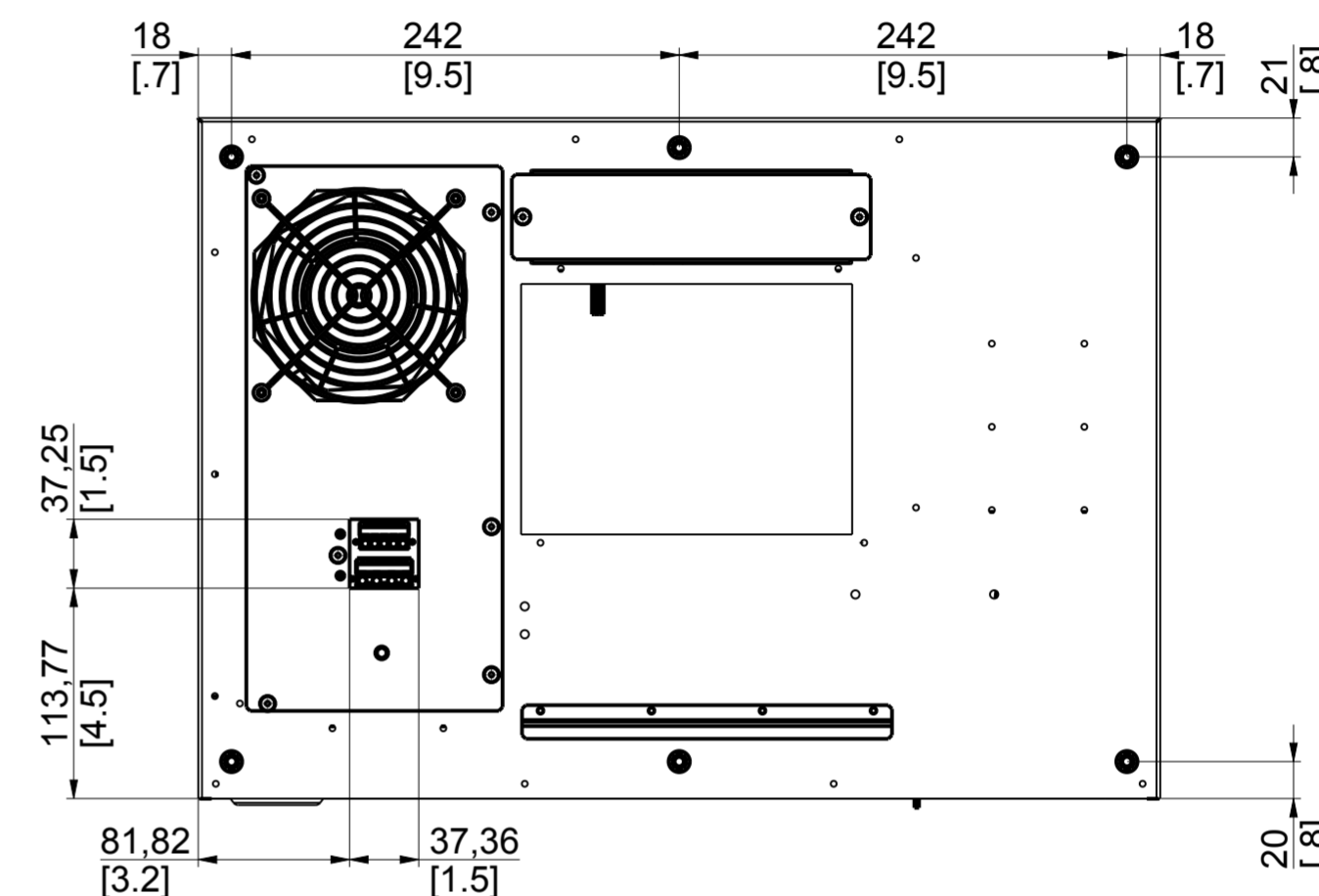
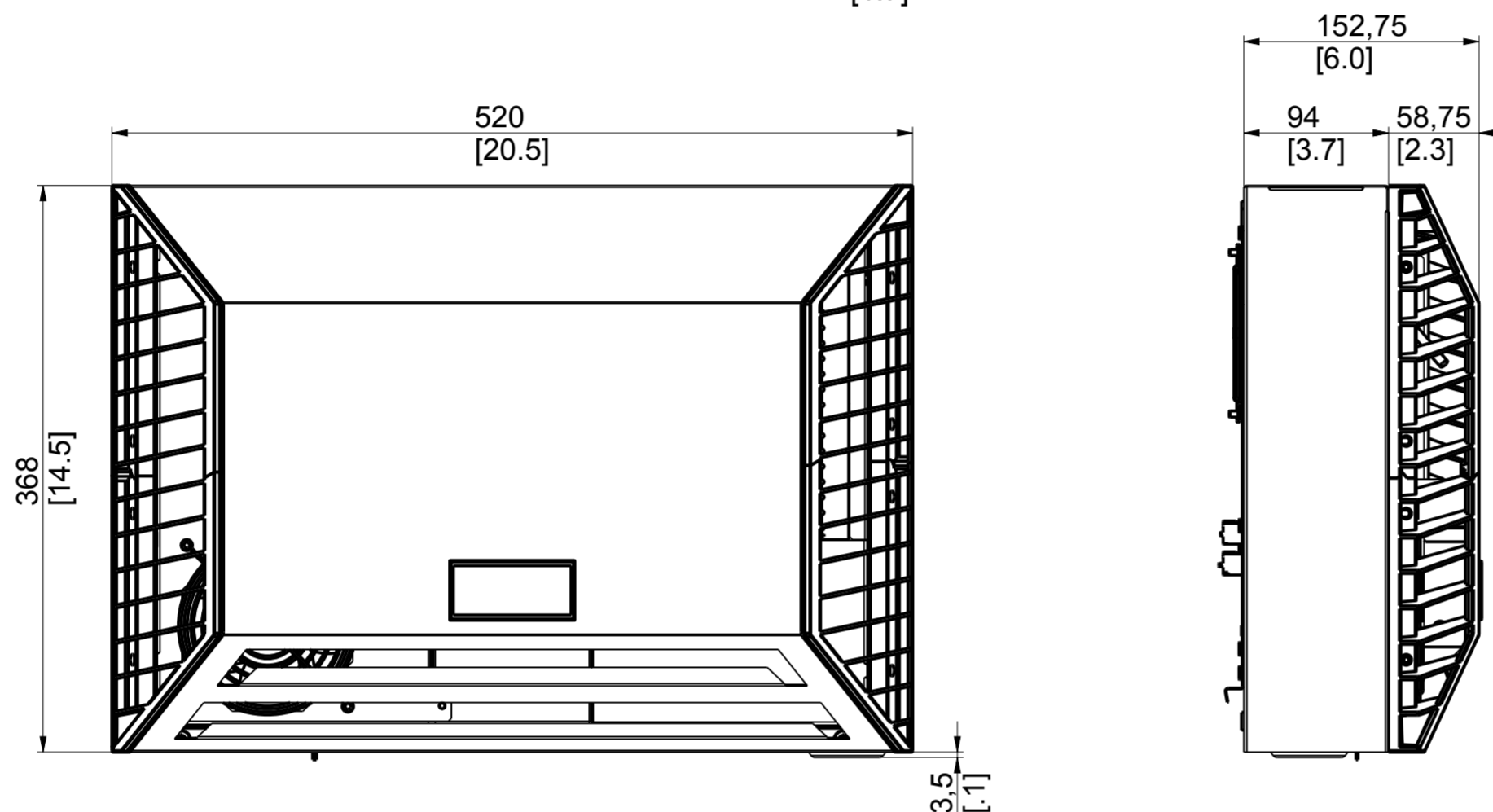
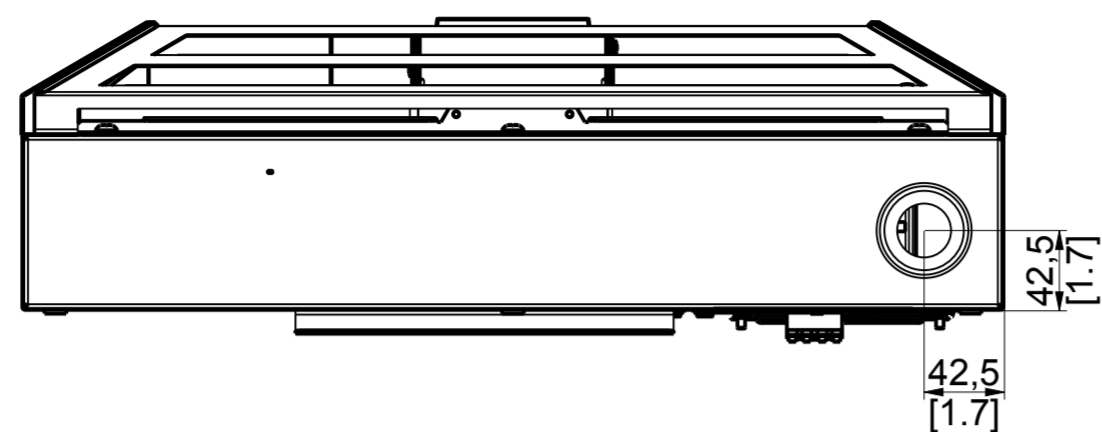


UNLESS OTHERWISE SPECIFIED, DIMENSIONS ARE IN MM. DIMENSIONS W/O TOLERANCES ISO2768-mK AS FOLLOWS. SURFACES ISO1302. TOLERANCES ARE NOT CUMULATIVE.

LINEAR DIMENSIONS							
0.5 to 3	>3 to 6	>6 to 30	>30 to 120	>120 to 400	>400 to 1000	>1000 to 2000	>2000 to 4000
±0.1	±0.1	±0.2	±0.3	±0.5	±0.8	±1.2	±2

ANGULAR DIMENSIONS					BEND DIRECTION	
to 10	>10 to 50	>50 to 120	>120 to 400	>400	↗ ↖	BEND OUT
±1°	±0°30'	±0°20'	±0°10'	±0°5'	↘ ↙	BEND IN



NOTES:
 1. THIS IS A PRO/ENGINEER PARAMETRIC DRAWING. ANY CHANGES MUST BE WITHIN PRO/INTRALINK.
 2. REMOVE ALL BURRS AND SHARP EDGES.

REV	BY	DATE	DESCRIPTION

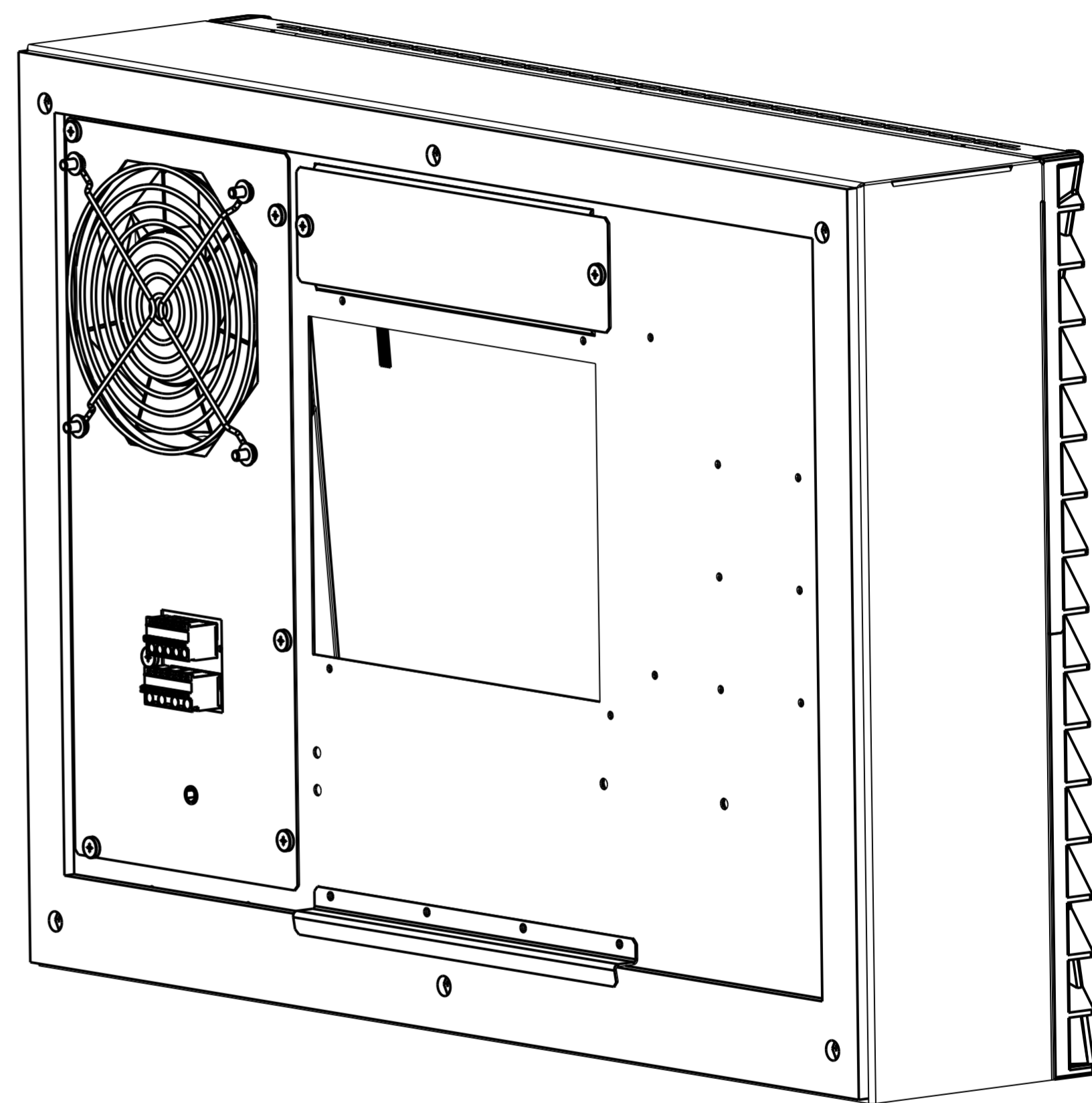
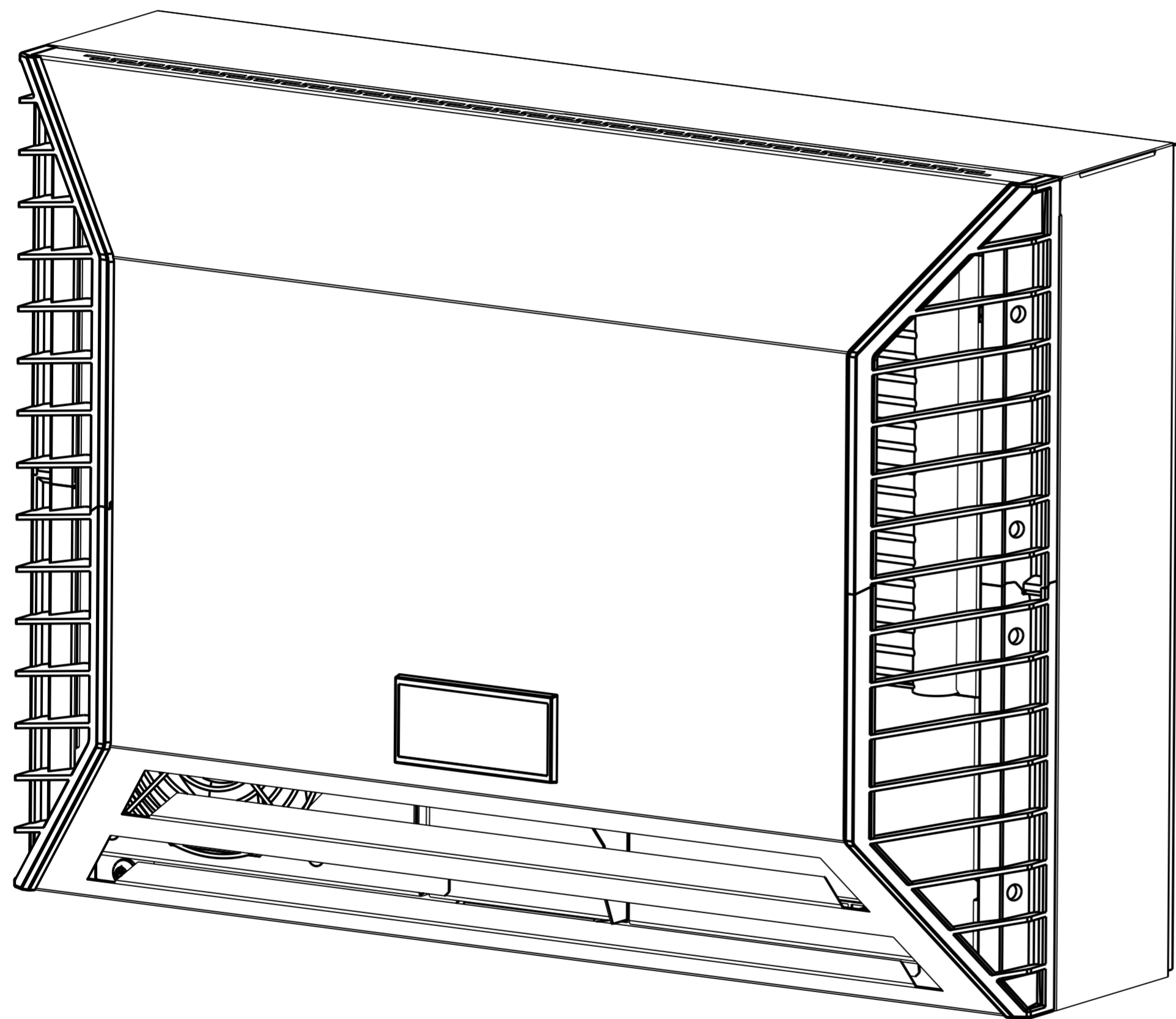
Art.no.: M5930046309

Material: -

Air-conditioning Unit 500W
KG-8505

Designed:	G.Zammit	26/04/2019	FIRST ANGLE PROJECTION	SCALE
Drawn:	B.Galea	08.02.2019	SHEET	1 of 2
Checked:	G.Zammit	Approved: G.Zammit	ISSUE	1.0
46309			SIZE	A2

46309	DRAWING	1.0	Work In Progress
KG8505_COMPLETE	ASSEM	0.5	Work In Progress
PRO/E_FILENAME	FILE TYPE	REV	RELEASE



Art.no.:	M5930046309		
Material:	-		
Air-conditioning Unit 500W KG-8505			
SHEET	SCALE	SIZE	FIRST ANGLE PROJECTION
2 of 2	0.500	A2	
46309			



46309	DRAWING	1. Work In Progress
KG8505_COMPLETE	ASSEM	0. Work In Progress
PRO/E FILENAME	FILE TYPE	REV RELEASE