

Vibration Protection Kit for SlimLine Pro cooling units

In the case of vibration-critical installations or mounting of the cooling devices on vibrating machines, these protection kits should be used. The transmission of the device vibration to the enclosure and vice versa is significantly reduced.

Note: When mounting the unit, tighten the fasteners until the mounting gasket is compressed by 3 mm.

Order numbers:

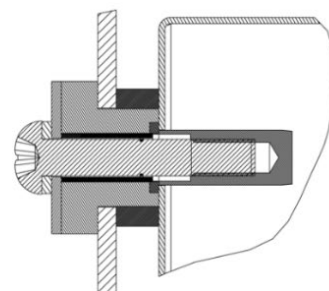
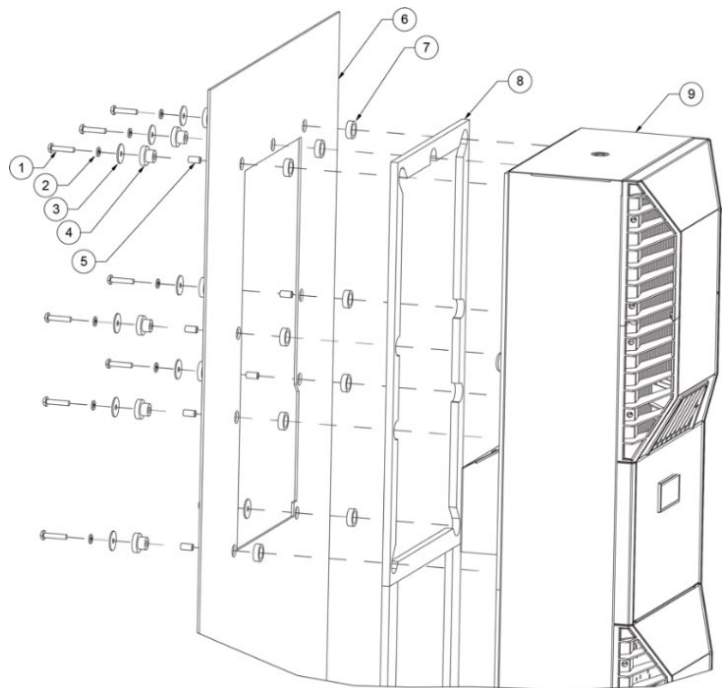
AC-8508/12/8412-T-1 for KG 8508 / 8512 / 8412

AC-8515/20/25-T-1 for KG 8515 / 8520 / 8525

AC-8540/62-T-1 for KG 8540 / 8562

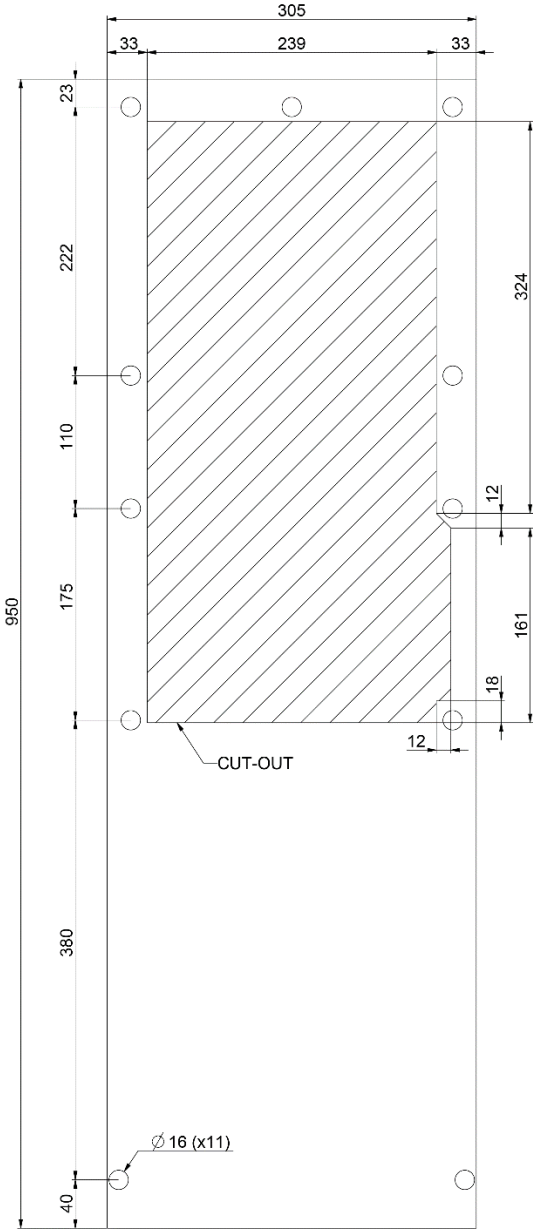
Mounting principle:

- 1 M6 Screws ISO 14583
- 2 Toothed washers DIN 127
- 3 M6 washers DIN 522
- 4 Rubber bushing with flange
- 5 Metal sleeve
- 6 Enclosure wall (2-3mm)
- 7 Round rubber bushing
- 8 Mounting gasket
- 9 Cooling unit



Mounting templates with protection kit

AC-8508/12/8412-T-1



AC-8515/20/25-T-1

