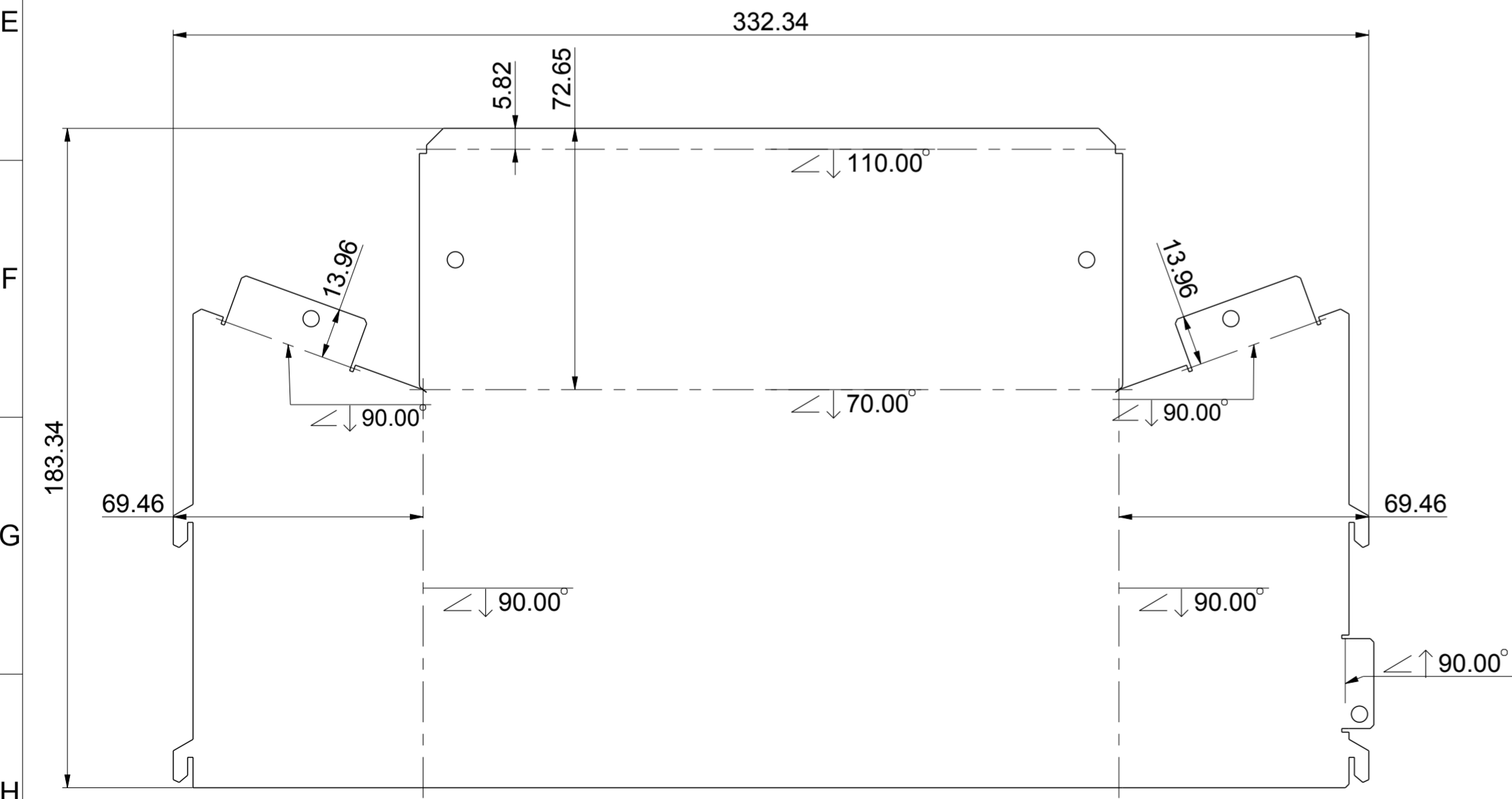
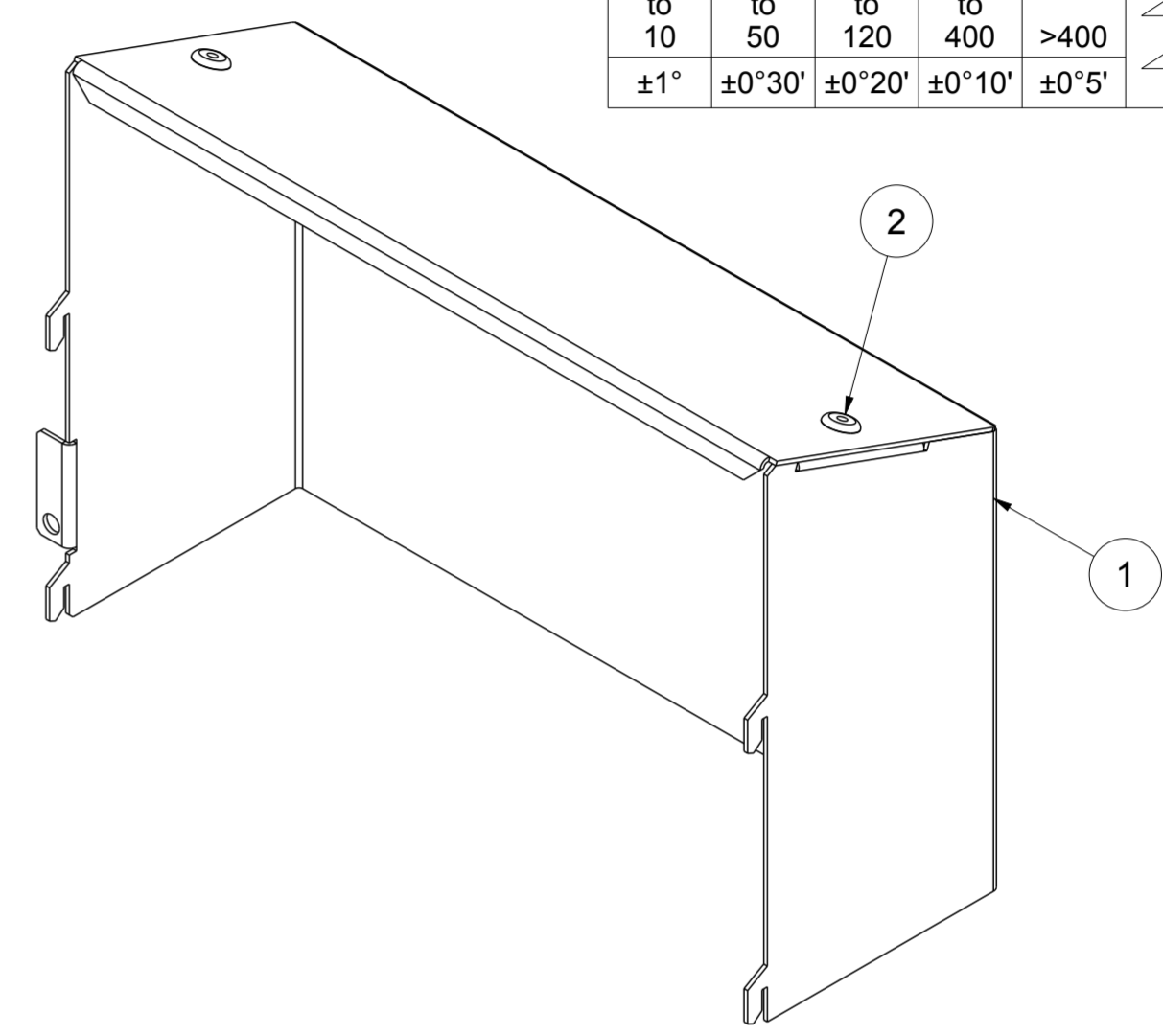
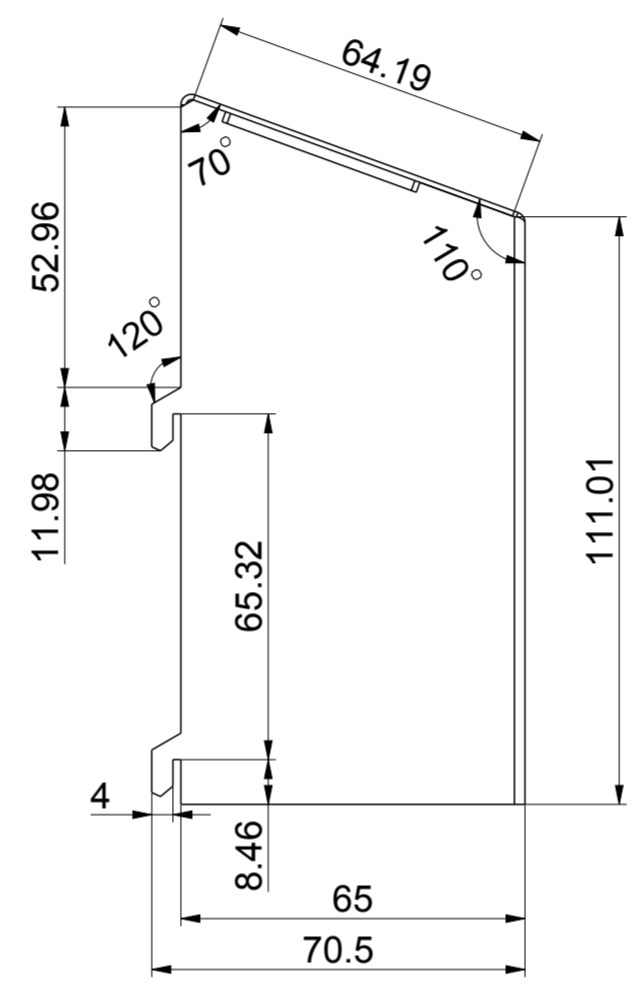
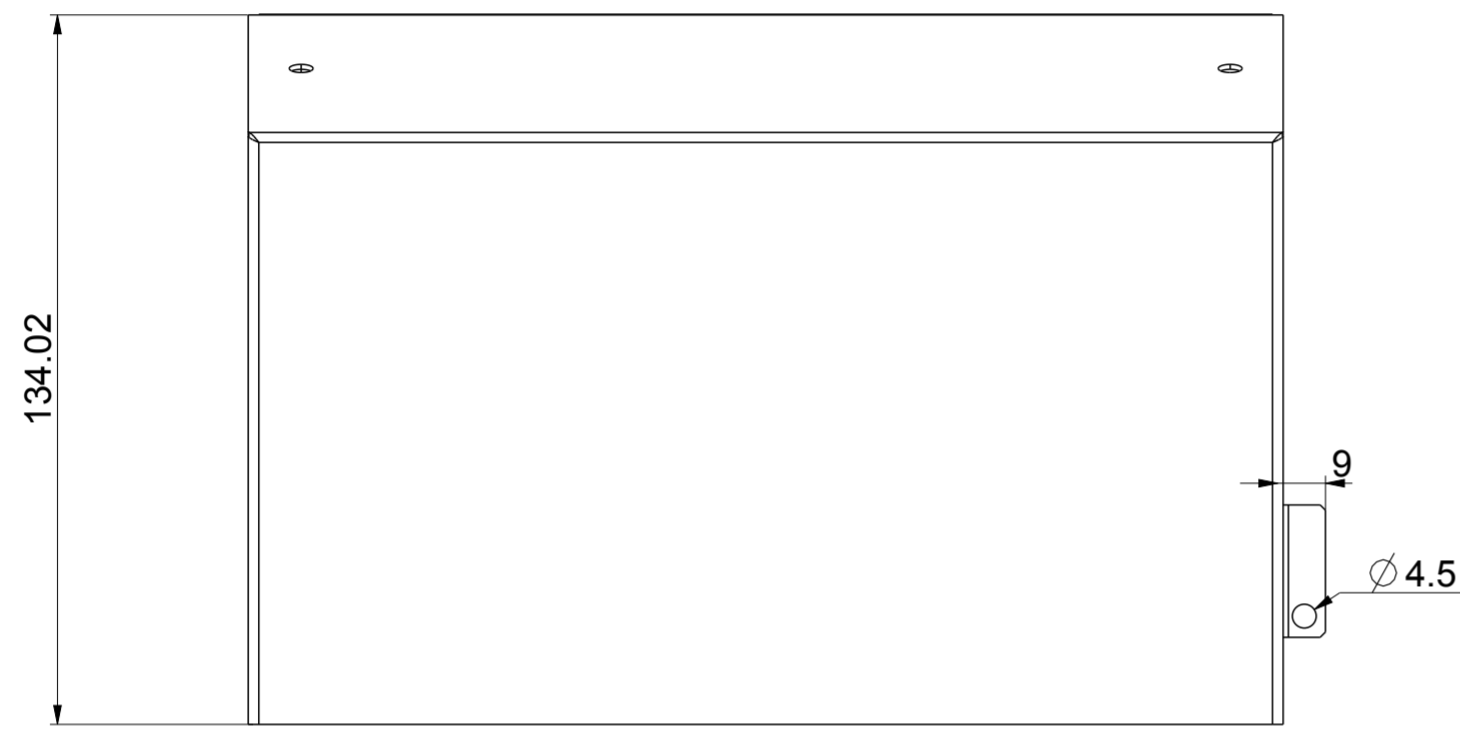
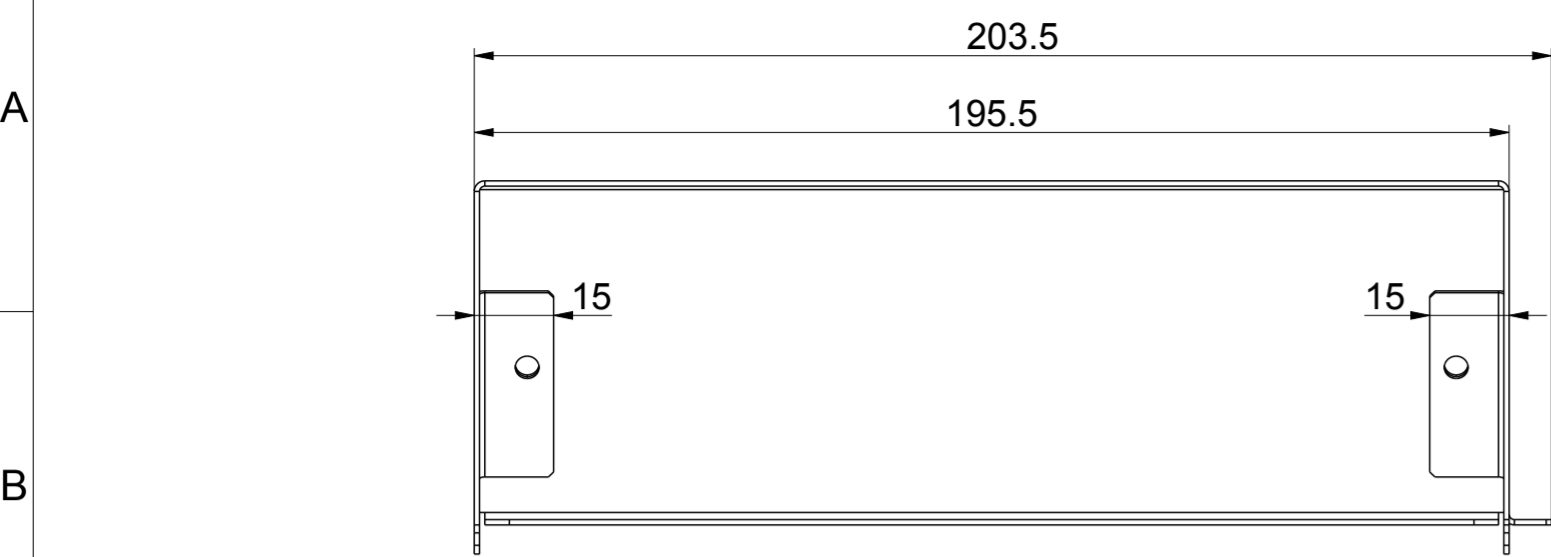


UNLESS OTHERWISE SPECIFIED, DIMENSIONS ARE IN MM. DIMENSIONS W/O TOLERANCES ISO2768-mK AS FOLLOWS. SURFACES ISO1302. TOLERANCES ARE NOT CUMULATIVE.

LINEAR DIMENSIONS							
0.5 to 3	>3 to 6	>6 to 30	>30 to 120	>120 to 400	>400 to 1000	>1000 to 2000	>2000 to 4000
±0.1	±0.1	±0.2	±0.3	±0.5	±0.8	±1.2	±2

ANGULAR DIMENSIONS					BEND DIRECTION	
to 10	>10 to 50	>50 to 120	>120 to 400	>400	↗ ↖	BEND OUT
±1°	±0°30'	±0°20'	±0°10'	±0°5'	↘ ↙	BEND IN



Item	Description	Art.no.	Qty.
1	Internal Duct	M5930046323	1
2	M4 x 7.9 Aluminium / Steel Rivet	519049202	2

NOTES:
 1. THIS IS A PRO/ENGINEER PARAMETRIC DRAWING. ANY CHANGES MUST BE WITHIN PRO/INTRALINK.
 2. REMOVE ALL BURRS AND SHARP EDGES.

REV	BY	DATE	DESCRIPTION
1.2	BG	02.09.19	Changed raw material to Aluzinc
1.1	BG	17.05.19	Corrected parameter table

Art.no.: M5930046323
 Material: Aluzinc, 1.0mm
 Internal Duct
 KG-8503/6

Designed:	G.Zammit	14.05.2019	FIRST ANGLE PROJECTION
Drawn:	B.Galea	14.05.2019	SHEET SCALE
Checked:	G.Zammit	Approved: G.Zammit	1 of 1 0.700
46323			ISSUE SIZE
			1.2 A2

46323	DRAWING	1.2	Work In Progress
KG-8503-06-INTERNAL-AIR-DUCT	PART	0.1	Work In Progress
PRO/E_FILENAME	FILE TYPE	REV	RELEASE

