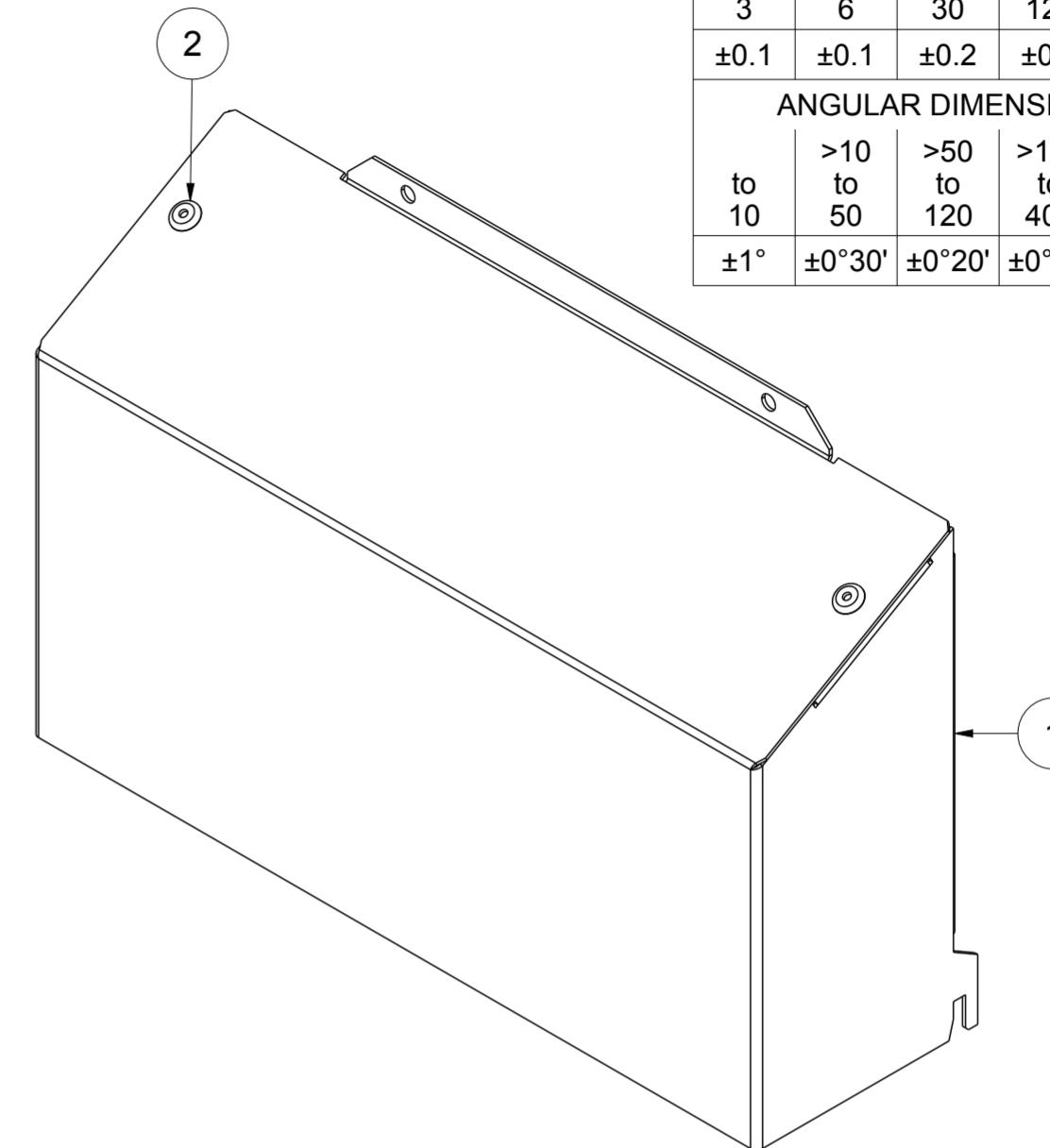
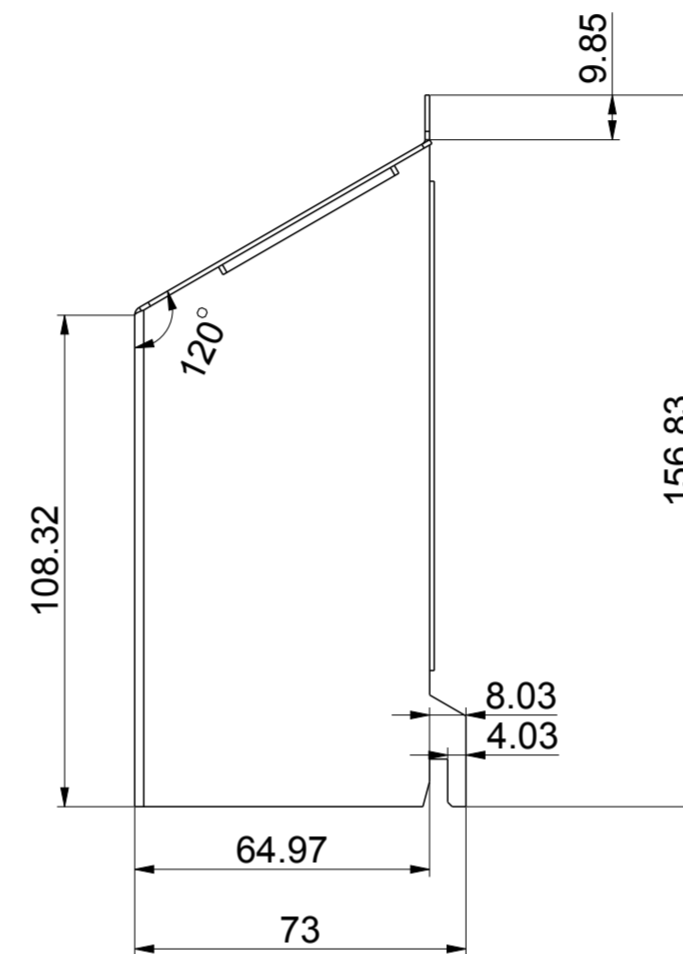
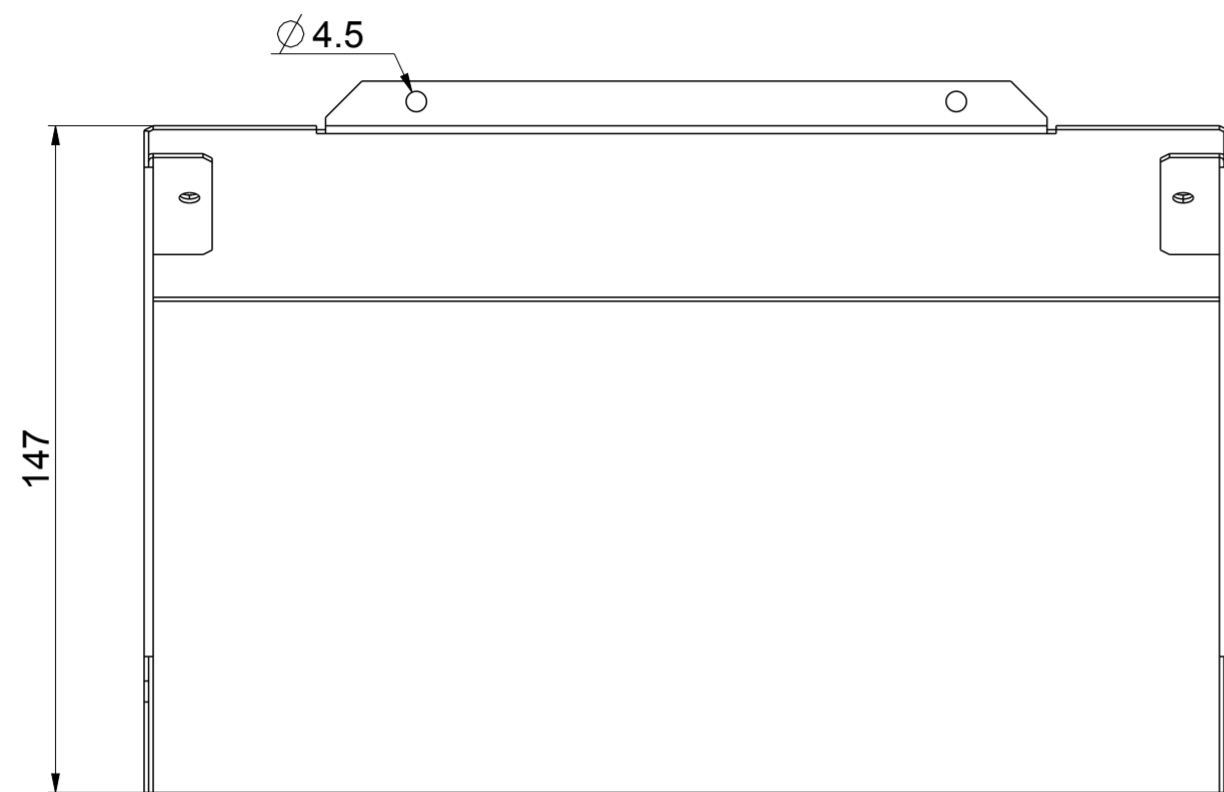
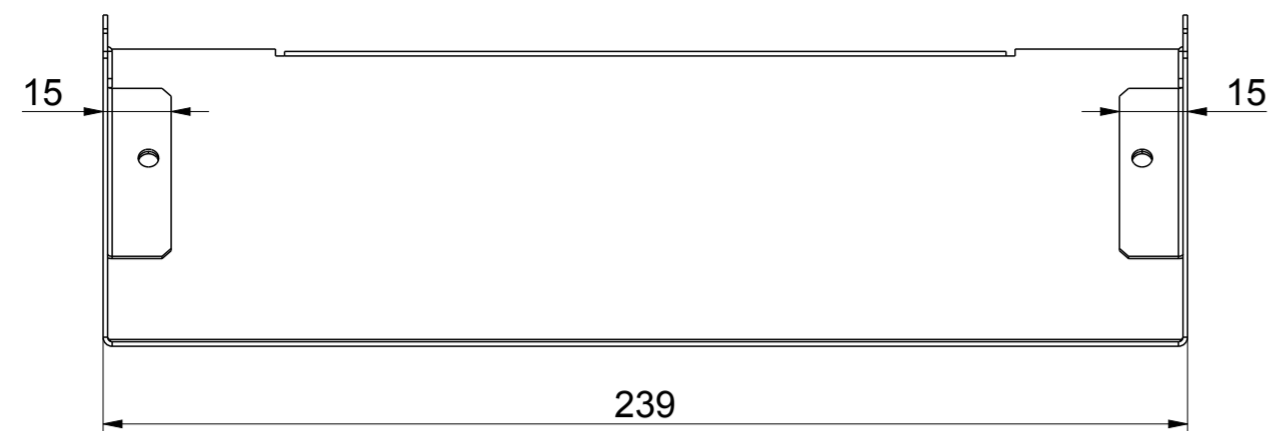


UNLESS OTHERWISE SPECIFIED, DIMENSIONS ARE IN MM. DIMENSIONS W/O TOLERANCES ISO2768-mK AS FOLLOWS. SURFACES ISO1302. TOLERANCES ARE NOT CUMULATIVE.

LINEAR DIMENSIONS							
0.5 to 3	>3 to 6	>6 to 30	>30 to 120	>120 to 400	>400 to 1000	>1000 to 2000	>2000 to 4000
±0.1	±0.1	±0.2	±0.3	±0.5	±0.8	±1.2	±2

ANGULAR DIMENSIONS					BEND DIRECTION	
to 10	>10 to 50	>50 to 120	>120 to 400	>400	↙ ↕ BEND OUT	↘ ↕ BEND IN
±1°	±0°30'	±0°20'	±0°10'	±0°5'		



Item	Description	Art.no.	Qty.
1	Internal Duct	M5930046380	1
2	M4 x 7.9 Aluminium / Steel Rivet	519049202	2

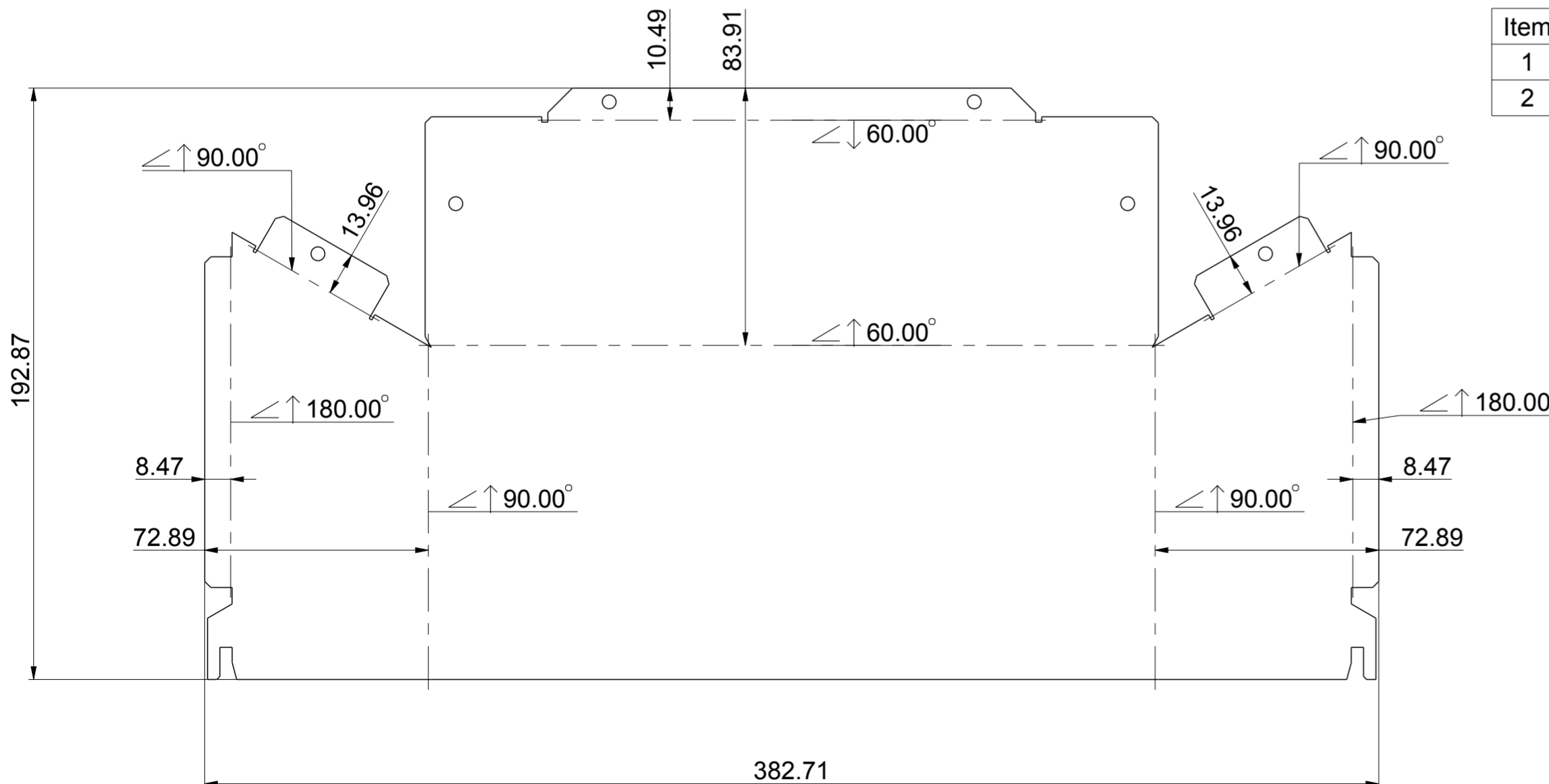
NOTES:
 1. THIS IS A CREO PARAMETRIC DRAWING. ANY CHANGES MUST BE WITHIN PDM LINK.
 2. REMOVE ALL BURRS AND SHARP EDGES.

REV	BY	DATE	DESCRIPTION
1.3	BG	16.06.22	Added dimensions
1.2	BG	10.09.20	Updated dimensions views
1.1	BG	22.11.19	C3: Aligned hole
1.0	BG	02.09.19	Changed raw material to Aluzinc & increased slots size

Art.no.: M5930046380
 Material: Aluzinc, 1.0mm

Internal Duct
 KG-8412 / KG-8512

Designed:	G.Zammit	24.05.2019	FIRST ANGLE PROJECTION	
Drawn:	B.Galea	23.04.2019	SHEET	SCALE
Checked:	G.Zammit	Approved:	G.Zammit	
			1 of 1	0.600
			ISSUE	SIZE
			1.3	A2



46380	DRAWING	1.3	Work In Progress
KG-8412-8512-INTERNAL-AIR-DUCT	PART	0.9	Work In Progress
CREO FILENAME	FILE TYPE	REV	RELEASE

SEIFERT
 wegweisend innovativ
 WE RESERVE ALL COPYRIGHT AND OTHER RIGHTS IN THIS DOCUMENT
 SEIFERT SYSTEMS LTD.

46380