

Filter Fan



Description

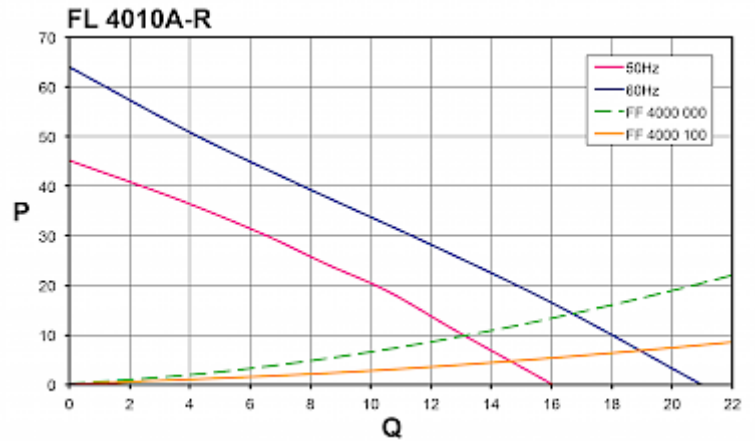
Order Number:	4010A3100
Brand Name:	SOLIFLEX
Color:	RAL 7035
Housing Material:	ABS Plastic
Ingress protection:	Type 12, 3R
Note:	Umgekehrter Luftstrom
Optional:	Different housing colours available on request With NEMA 3R protection part no. 4010A3130
Approvals:	CE, cURus, cULus, CSA

Technical data

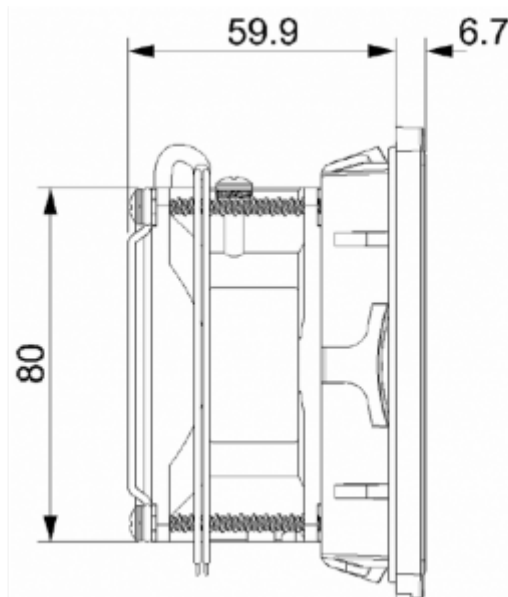
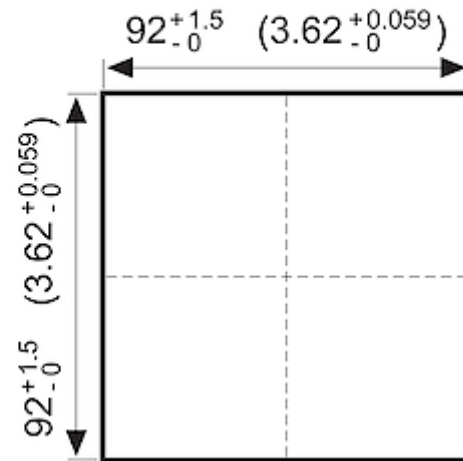
Operating temperature range:	14°F - +131°F
Air volume flow unimpeded:	12 cfm
Static pressure:	0.18 inH2O @ 50Hz 0.26 inH2O @ 60Hz
Dimension H x W x D:	4.2 x 4.2 x 2.6 in.
Weight:	0.86 lbs
Cut out dimensions:	3.6 x 3.6 in.(+0.06)
Voltage / Frequency:	120 V ~60 Hz
Rated current:	0.09 A
Power consumption:	7.5 W
Degree of separation:	85% - DIN 24185
Wall thickness:	0.04 - 0.08 in.
Filter class:	G3 according to EN 779
Installation:	Elastic clips
Noise level:	33 dB(A)

Air flow:

Q = Air flow [m³/h]
 P = Static pressure [Pa]



Cut out dimensions:



Order Information

In RAL 9005	4010A3103
Taric code	84145915
GTIN (EAN)	5350604100138