

## Filter Fan



## Description

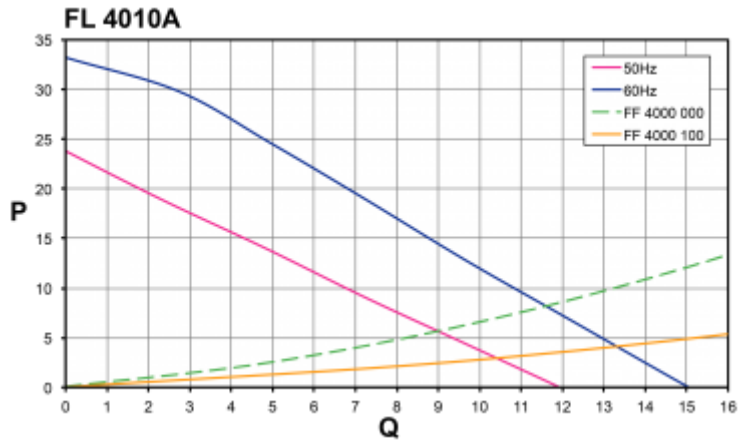
<b>Order Number:</b>	4010A4000
<b>Brand Name:</b>	SOLIFLEX
<b>Color:</b>	RAL 7035
<b>Housing Material:</b>	ABS Plastic
<b>Ingress protection:</b>	Type 12, 3R
<b>Optional:</b>	# 4010A4003 black
<b>Approvals:</b>	CE, cURus, cULus, CSA

## Technical data

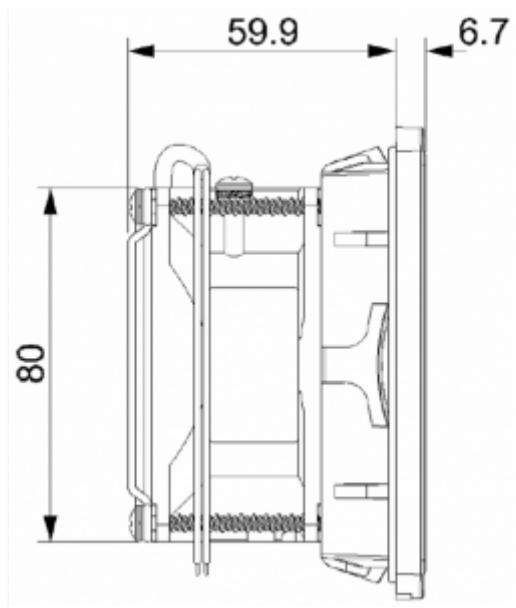
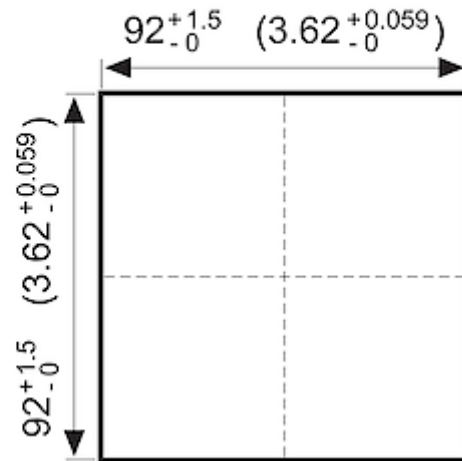
<b>Operating temperature range:</b>	14°F - +131°F
<b>Air volume flow unimpeded:</b>	7 cfm / 9 cfm
<b>Static pressure:</b>	0.09 inH2O @ 50 Hz 0.13 inH2O @ 60 Hz
<b>Dimension H x W x D:</b>	4.2 x 4.2 x 2.6 in.
<b>Weight:</b>	0.86 lbs
<b>Cut out dimensions:</b>	3.64 x 3.64 in.(+0.06)
<b>Voltage / Frequency:</b>	230 V ~ 50/60 Hz
<b>Rated current:</b>	0.06 A / 0.05 A
<b>Power consumption:</b>	10 W / 8 W
<b>Degree of separation:</b>	85% - DIN 24185
<b>Wall thickness:</b>	0.04 - 0.08 in.
<b>Filter class:</b>	G3 according to EN 779
<b>Installation:</b>	Elastic clips
<b>Noise level:</b>	31 dB(A) @ 50 Hz 33 dB(A) @ 60 Hz

**Air flow:**

Q = Air flow [m<sup>3</sup>/h]  
 P = Static pressure [Pa]



**Cut out dimensions:**



## Order Information

<b>In RAL 9005</b>	4010A4003
<b>With NEMA 3R protection part no.</b>	4010A4033
<b>Taric code</b>	84145915
<b>GTIN (EAN)</b>	5350604100107